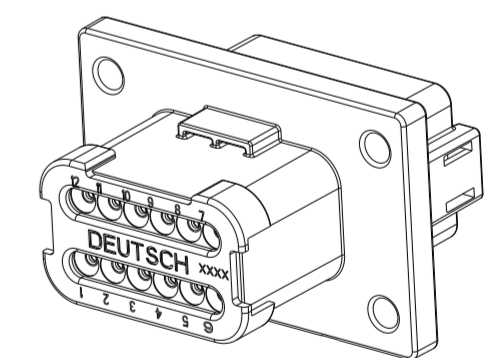
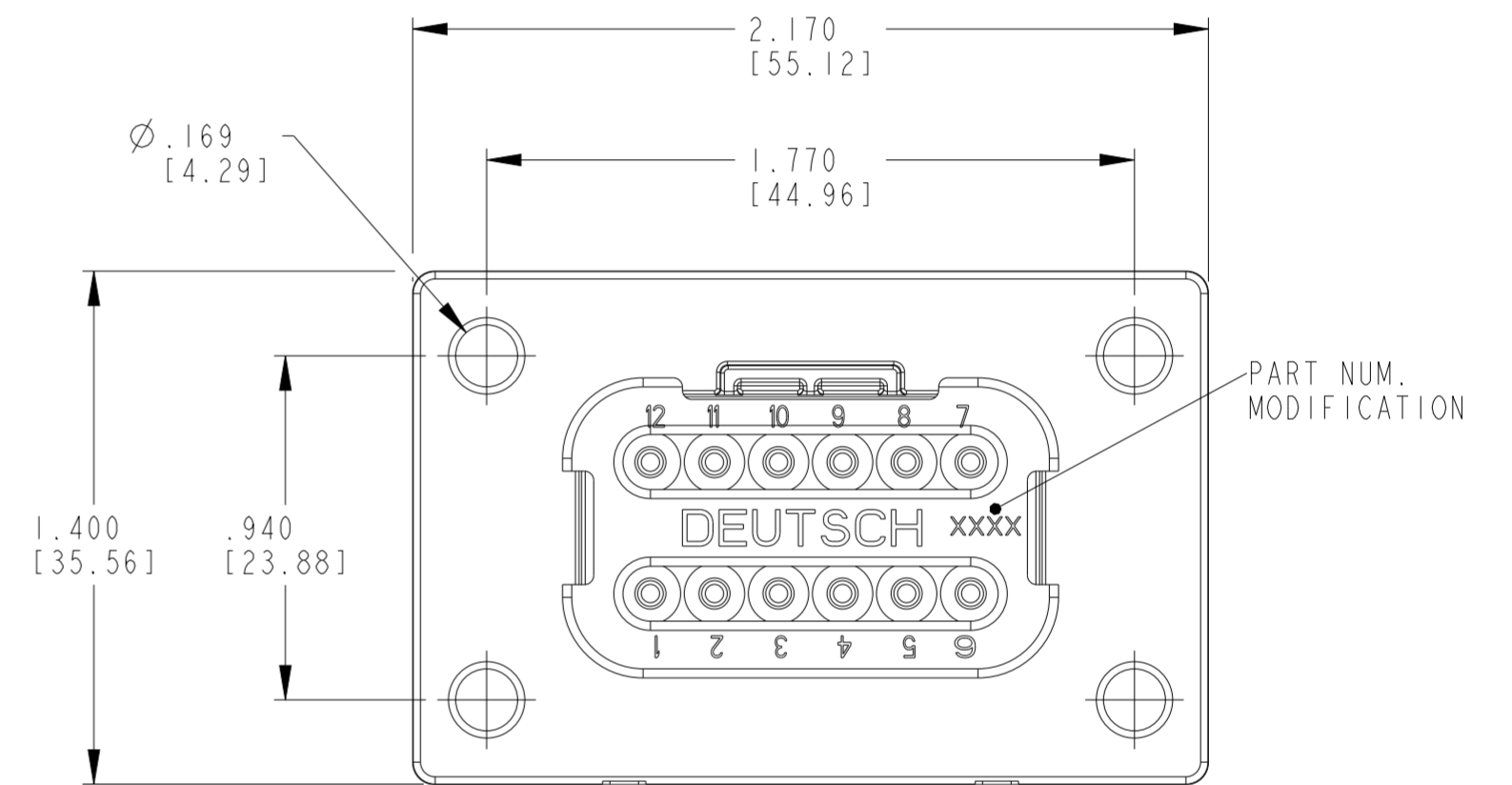
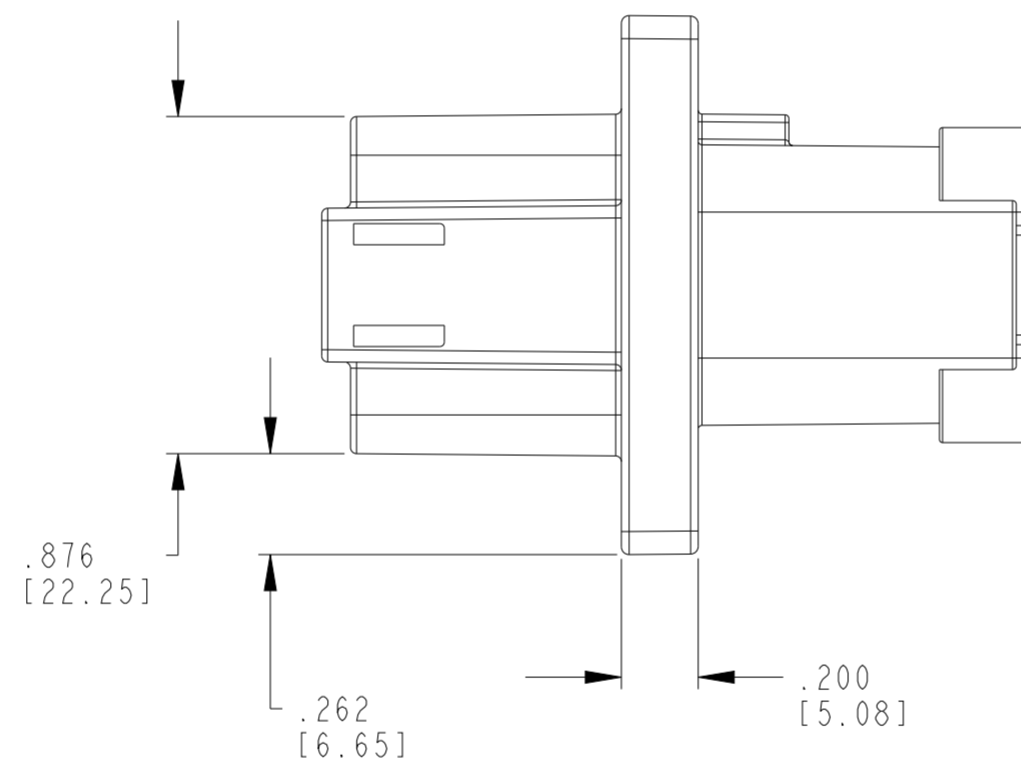
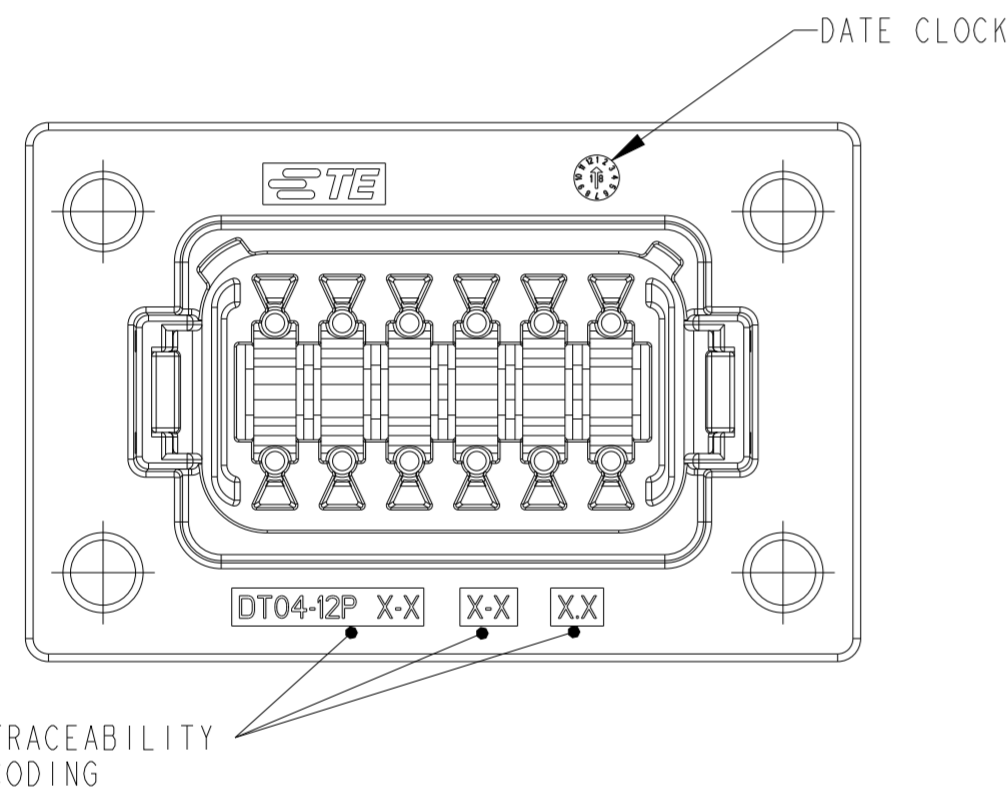
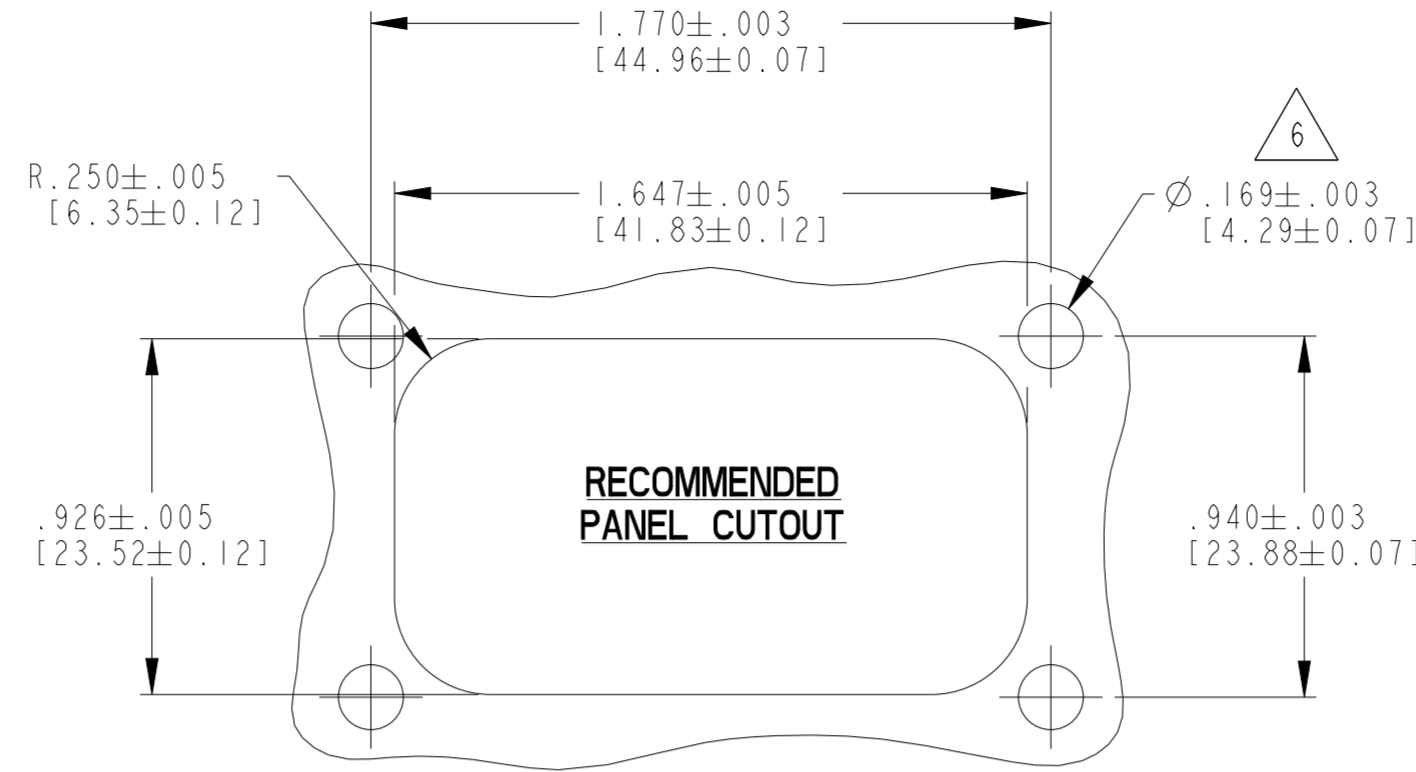
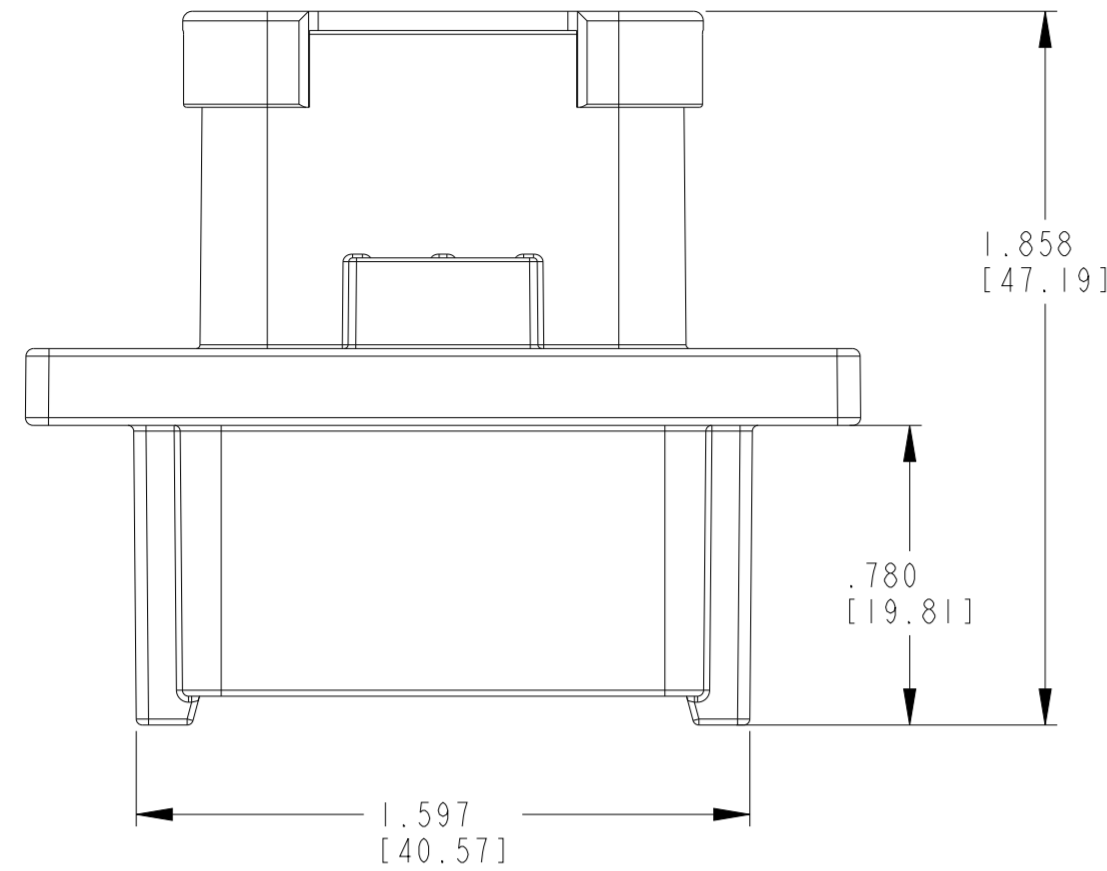


REVISIONS					
P	LTR	DESCRIPTION	DATE	DWN	APVD
B		REVISED PER E.O. P20438	18MAY2010	-	RDR
C		REVISED PER E-20-009825	09JUL2020	PMV	IG
CI		REVISED PER PCN-22-157426	03NOV2022	MR	IG
D		REVISED PER PCN-23-192205	06FEB2024	RK	CB



SCALE 1:1  
3-DIMENSIONAL VIEW

7. SECONDARY WEDGE LOCK SOLD SEPARATELY: W12P-XXXX. (XXXX = ALL MODIFICATIONS)

6. RECOMMENDED SCREW: 6-32 [M4].  
RECOMMENDED TORQUE: 20-25 IN-LB [2.26-2.82 Nm].

5. MATERIAL - HOUSING: PA66 GF15 (GREY)  
GROMMET: VMQ (ORANGE RED)  
WELD CAP: PA66 GF15 (BLACK)

4. THIS RECEPTACLE MATES WITH DT06-12SA-XXXX PLUG.  
(XXXX = ALL MODIFICATIONS)  
CONSULT FACTORY FOR MODIFICATIONS.

3. FOR CONTACT AND WIRE PERFORMANCE AND APPLICATION CHARACTERISTICS, SEE ENVELOPE DRAWING 0425-015-0000.

2. DELETED

1. DELETED

NOTES:

CONTACT SIZE	MIN. INSUL. O.D.	MAX. INSUL. O.D.	WIRE RANGE 3 [mm <sup>2</sup> ]
16	.088 [2.23]	.145 [3.68]	14-20 AWG [2.0-0.5]

THIS DRAWING IS A CONTROLLED DOCUMENT.		DWN S. THELIS 17NOV1998	TE Connectivity	
DIMENSIONS: INCHES [mm]		CHK R. MCCORD 14MAY2010		
TOLERANCES UNLESS OTHERWISE SPECIFIED:		APVD S. BEARD 04MAY2010	NAME 12 WAY RECEPTACLE W/ FLANGE AND CAP LE07 MOD. DT SERIES	
0 PLC ±	1 PLC ±	PRODUCT SPEC 108-151009	SIZE A2	
2 PLC ±	3 PLC ±.025 [0.64]	APPLICATION SPEC 114-151009	CAGE CODE 00779	DRAWING NO. DT04-12PA-LE07
4 PLC ±	ANGLES ±0° 30' 0"	FINISH -	RESTRICTED TO	
MATERIAL 5		WEIGHT -	SCALE 2:1	SHEET 1 OF 1
		CUSTOMER DRAWING	REV D	