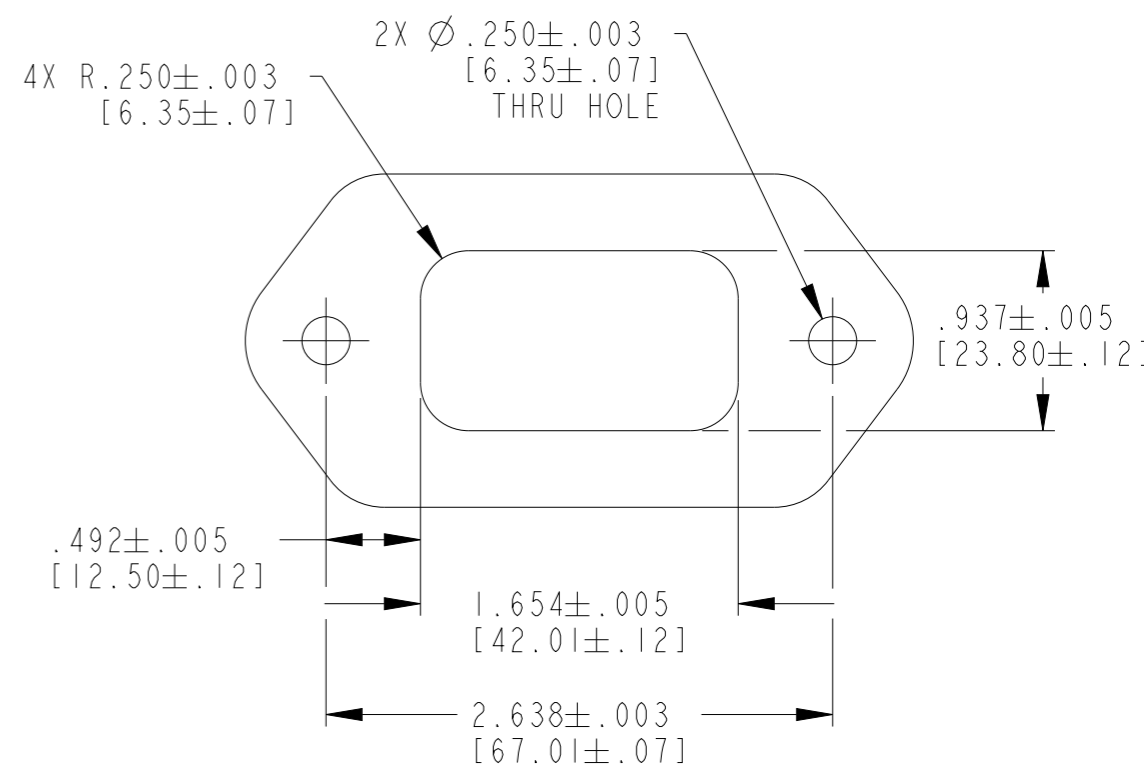
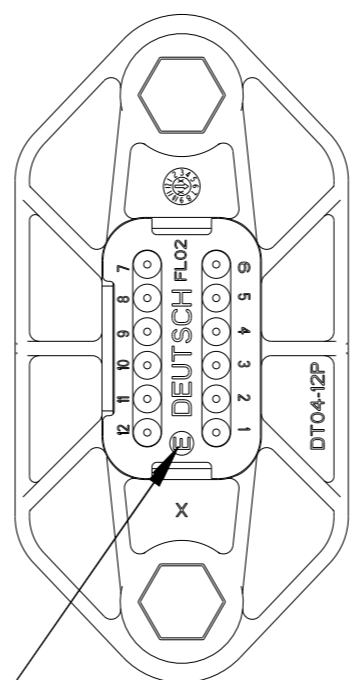
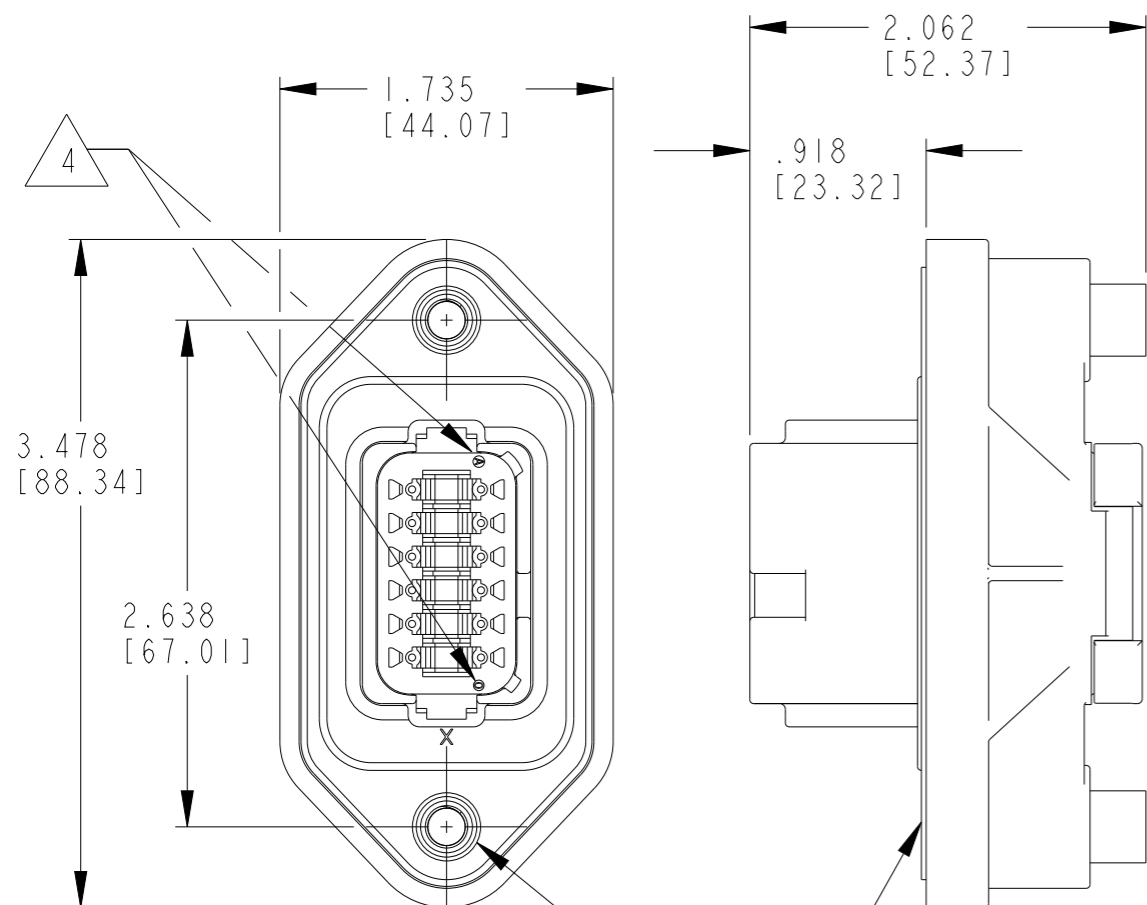


REVISIONS					
P	LTR	DESCRIPTION	DATE	DWN	APVD
A		REVISED PRE PCN E-17-012564	28AUG2017	JA	DM
B		REVISED PER PCN-23-192205	06FEB2024	RK	CB



2X THREADED INSERT  
 M6 X .500 DEEP  
 RECOMMENDED TORQUE:  
 62-88 IN-LB [7-10 N-m]

FLANGE SEAL IS INTENDED  
 FOR NON-PRESSURIZED  
 FLUID SPLASH ONLY

-E- SYMBOL DESIGNATES  
 REDUCED DIAMETER WIRE SEAL

**RECOMMENDED PANEL-CUTOUT**

4 DATE CODE: MONTH IS REPRESENTED BY SEQUENTIAL ALPHA CHARACTERS. EX: A = JANUARY, YEAR IS REPRESENTED BY LAST NUMERICAL DIGIT. EX: 0 = 2010

3 MATERIAL: HOUSING: PA66 GF15 (SEE SHEET 2 FOR COLOR)  
 GROMMET: FKM (BLACK)  
 GASKET: VMQ (RED-ORANGE)  
 INSERTS: STAINLESS STEEL  
 WELD CAP: PA66 GF15 (BLACK)

2. THIS RECEPTACLE MATES WITH DT06-12SX-XXXX PLUG.  
 (X = KEY ARR; XXXX = ALL MODIFICATIONS)  
 CONSULT FACTORY FOR MODIFICATIONS.

1 FOR CONTACTS AND WIRE PERFORMANCE AND APPLICATION CHARACTERISTICS, SEE ENVELOPE DRAWING 0425-015-0000.

NOTES: UNLESS OTHERWISE SPECIFIED

TE INTERNAL PN	DEUTSCH PN
DT04-12PA-FL02	DT04-12PA-FL02
DT04-12PB-FL02	DT04-12PB-FL02
DT04-12PC-FL02	DT04-12PC-FL02
DT04-12PD-FL02	DT04-12PD-FL02

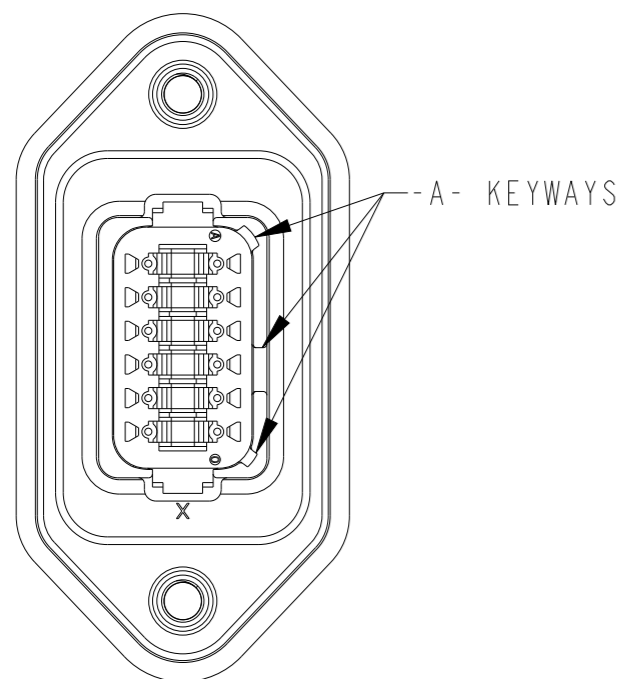
CONTACT SIZE	MIN. INSUL. O.D.	MAX. INSUL. O.D.	WIRE RANGE [mm <sup>2</sup> ] REF ONLY
16	.053 [1.35]	.120 [3.05]	14-20 AWG [2.5-0.5]

THIS DRAWING IS A CONTROLLED DOCUMENT.		DWN R.MESSENGER 30AUG2011	<b>STE</b> TE Connectivity			
DIMENSIONS: in [mm]		CHK B.BYFORD 09FEB2012				
TOLERANCES UNLESS OTHERWISE SPECIFIED:		APVD S.BEARD 09FEB2012	NAME 12 WAY RECEPTACLE WITH ENHANCED KEY FLANGE, VITON SEAL DT SERIES			
0 PLC ±		PRODUCT SPEC 108-151009				
1 PLC ±		APPLICATION SPEC 0425-017-0000	SIZE A3	CAGE CODE 4AFU8	DRAWING NO ©DT04-12PX-FL02	RESTRICTED TO -
2 PLC ±		WEIGHT 78g	SCALE 1:2 SHEET 1 OF 2 REV B			
3 PLC ±.025 [0.64]		CUSTOMER DRAWING				
4 PLC ±						
ANGLES ± ±0° 30' 0"						
FINISH						

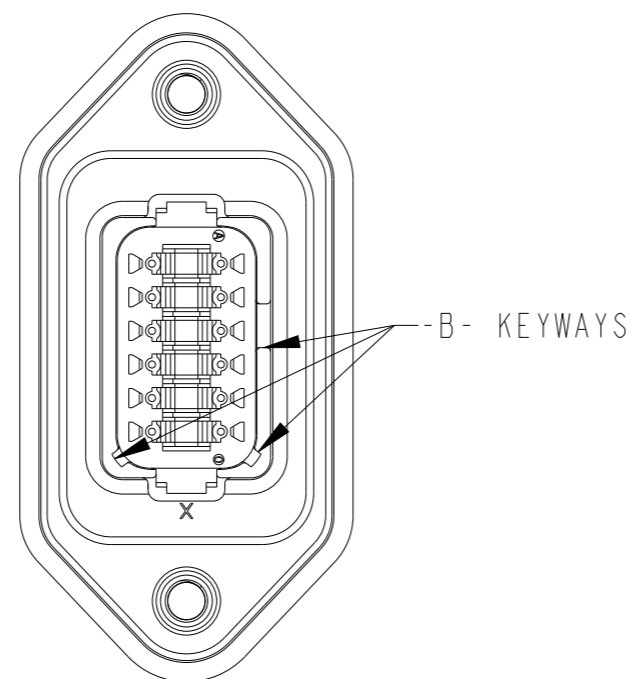
REVISIONS

P	LTR	DESCRIPTION	DATE	DWN	APVD
	-	SEE SHEET 1	-	-	-

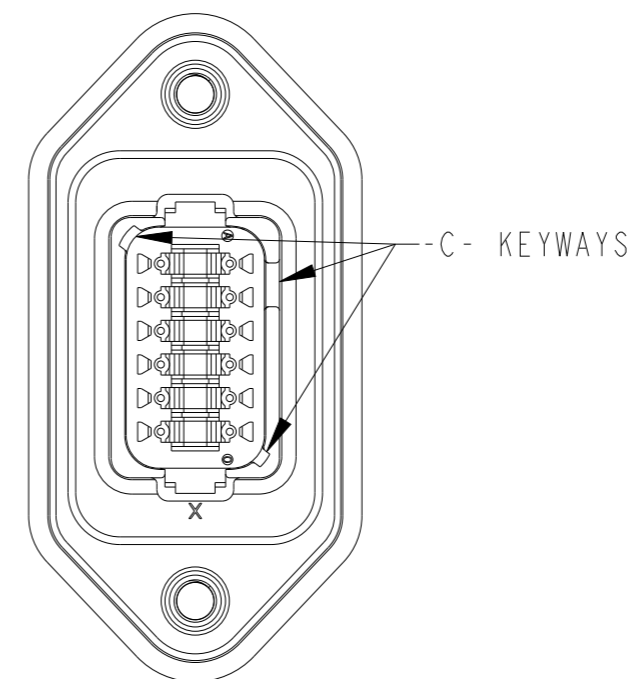
DT04-12PA-FL02  
KEY ARR. -A-  
HOUSING COLOR: GRAY



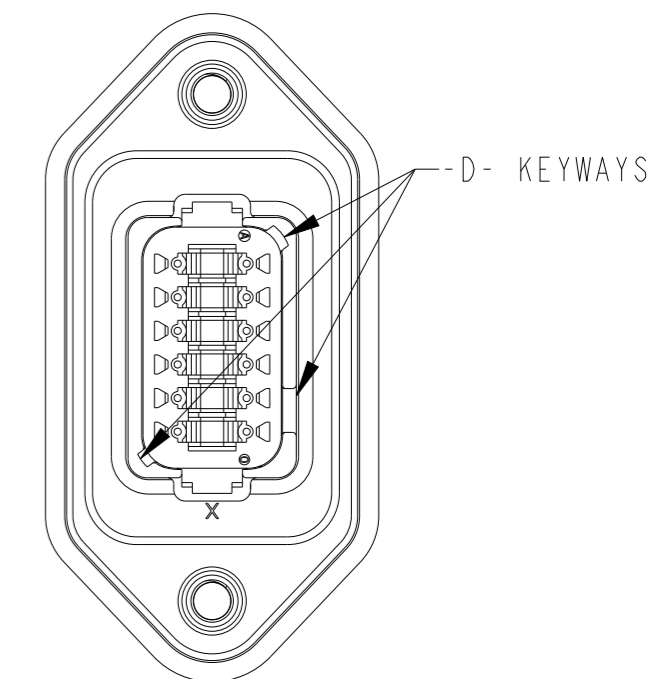
DT04-12PB-FL02  
KEY ARR. -B-  
HOUSING COLOR: BLACK




DT04-12PC-FL02  
KEY ARR. -C-  
HOUSING COLOR: GREEN



DT04-12PD-FL02  
KEY ARR. -D-  
HOUSING COLOR: BROWN



THIS DRAWING IS A CONTROLLED DOCUMENT.		DWN R. MESSENGER 21AUG2017	 TE Connectivity		
DIMENSIONS: in [mm]		CHK B. BYFORD 09FEB2012			
TOLERANCES UNLESS OTHERWISE SPECIFIED:		APVD S. BEARD 09FEB2012	NAME 12 WAY RECEPTACLE WITH ENHANCED KEY FLANGE, VITON SEAL DT SERIES		
0 PLC ± 1 PLC ± 2 PLC ± 3 PLC ±.025 4 PLC ± ANGLES ± ±0° 30' 0"		PRODUCT SPEC 108-151009	RESTRICTED TO		
MATERIAL 3		APPLICATION SPEC 0425-017-0000	SIZE A3	CAGE CODE 4AFU8	DRAWING NO DT04-12PX-FL02
FINISH		WEIGHT 78g	SCALE 1:2		
		CUSTOMER DRAWING	SHEET 2 OF 2		
			REV B		