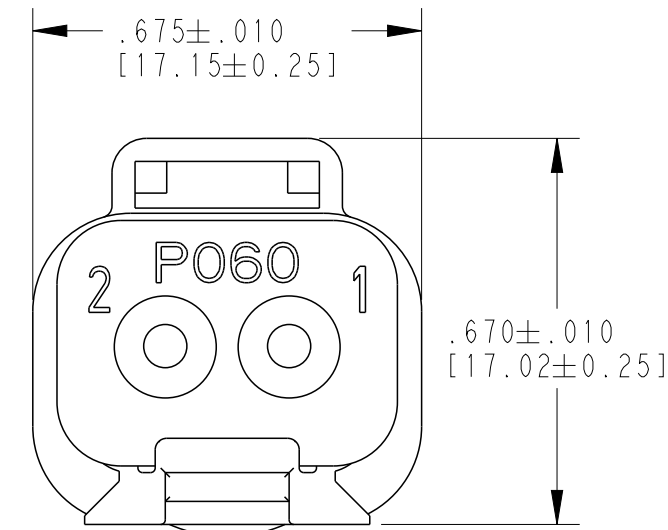
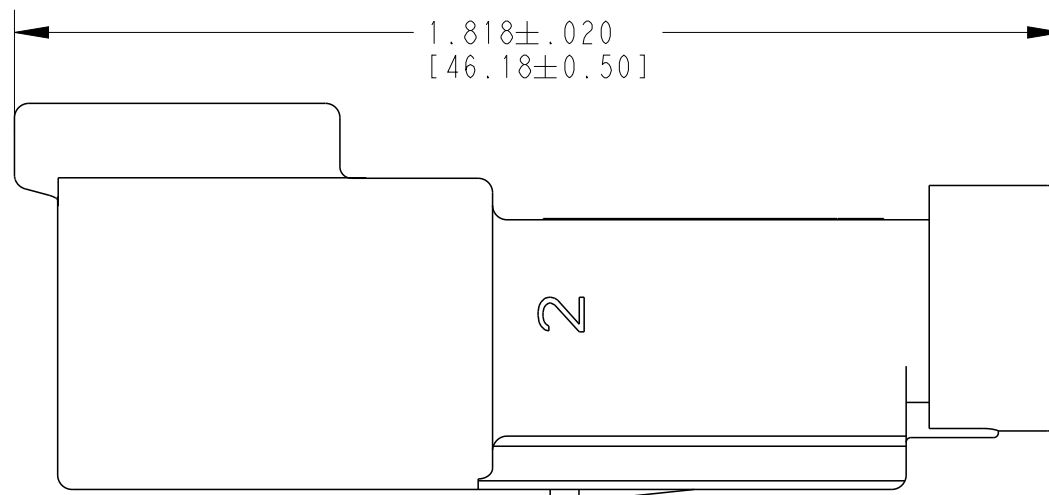
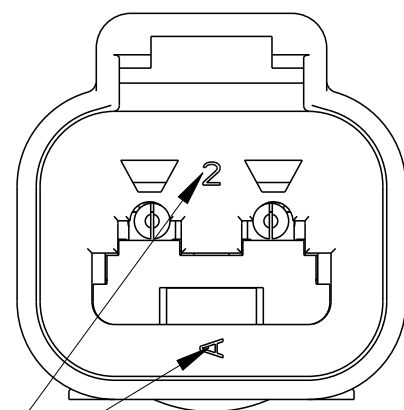
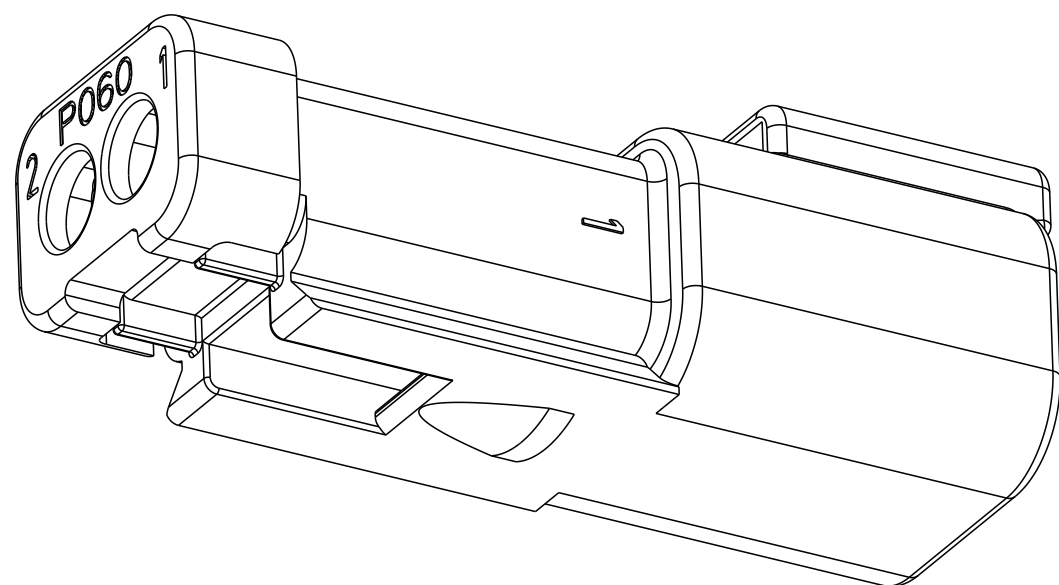


THIS DRAWING IS UNPUBLISHED
 RELEASED FOR PUBLICATION 2013
 © COPYRIGHT 2013 BY TE CONNECTIVITY ALL RIGHTS RESERVED.

LOC	DIST	REVISIONS					
		P	LTR	DESCRIPTION	DATE	DWN	APVD
			A	PRODUCTION RELEASE PER ECO-13-011143	1JUL2013	RLM	DM
			B	REVISED PER PCN-19-014481	28AUG2019	AP	IG




DATE CODE: YEAR IS REPRESENTED BY THE LAST NUMERICAL DIGIT, EX: 2 = 2012. MONTH IS REPRESENTED BY SEQUENTIAL ALPHA CHARACTERS, EX: A = JANUARY.

3. MATERIAL - HOUSING: PA66 GF15 (BLACK);
 WEDGE LOCK (INCLUDED): PBT GF30 (GREEN)
 SEAL: VMQ (RED-ORANGE)
 BUSSBAR: COPPER ALLOY, NICKEL PLATED

2. MAXIMUM CURRENT RATING FOR 2 PIN BUSSBAR IS 13 AMPS.

1. THIS RECEPTACLE MATES WITH DT06-2S-XXXX PLUG.
 (XXXX = ALL MODIFICATIONS).

TE INTERNAL PN	DEUTSCH PN
YDT04-2P-P06000000	DT04-2P-P060

THIS DRAWING IS A CONTROLLED DOCUMENT.		DWN R. MESSENGER 25 JUN 2013	 TE Connectivity			
DIMENSIONS: in [mm]		CHK R. MESSENGER 26 JUN 2013				
TOLERANCES UNLESS OTHERWISE SPECIFIED:		APVD D. MEYER 1 JUL 2013	NAME RECEPTACLE ASSEMBLY DT 2 PIN BUSSED DT SERIES			
0 PLC ± 1 PLC ± 2 PLC ± 3 PLC ±.025 [0.64] 4 PLC ± ANGLES ±0° 30' 0"		PRODUCT SPEC 108-151009	SIZE A3	CAGE CODE 4AFU8	DRAWING NO DT04-2P-P060	RESTRICTED TO -
MATERIAL 3		FINISH	WEIGHT 6.06g	SCALE 3:1	SHEET 1 OF 1	REV B
		CUSTOMER DRAWING				