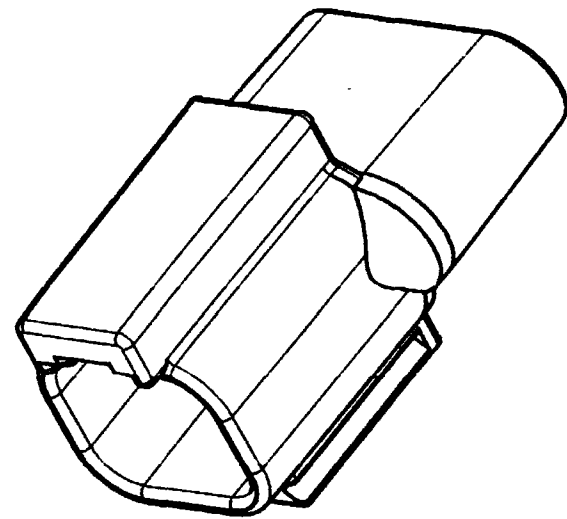
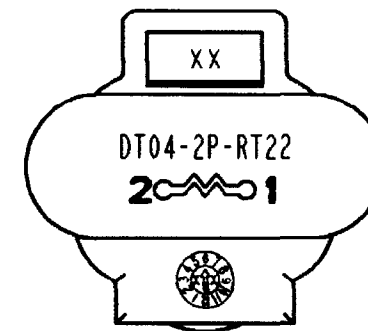
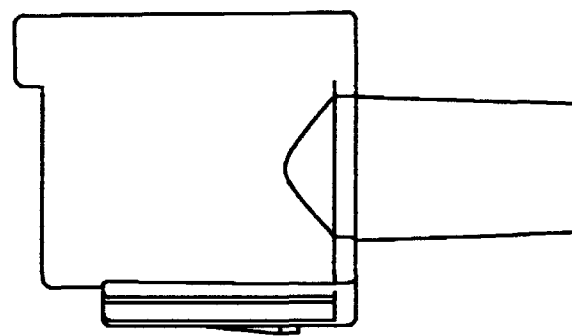
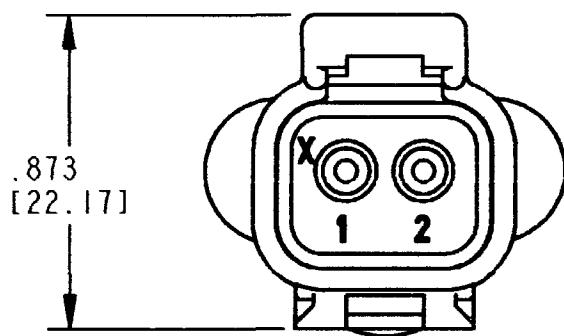
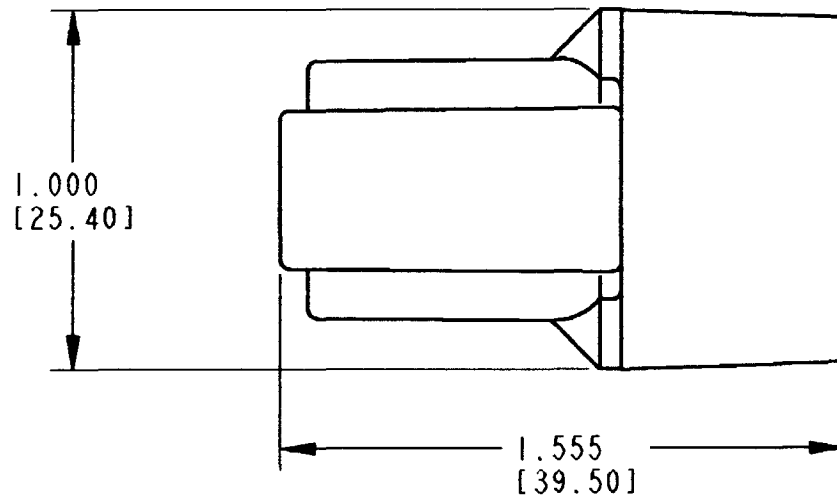


REV
A DT04-2P-RT22

REVISIONS			
SYM	DESCRIPTION	DATE	APPROVED
NC	NEW RELEASE PER E.O. P17887	9/18/02	RDR
A	REVISION PER E.O. P19162	3-15-06	RDR



3D VIEW



- 6. RESISTOR 620 OHMS .5W 1% TOLERANCE.
- 5. SHELL MATERIAL: PLASTIC; COLOR: BLACK
- 4. TEMPERATURE RANGE: -55°C TO +125°C.
- 3. RECEPTACLE MATES WITH DT06-2S-****. (****) = ALL MODIFICATIONS.
- 2. DIMENSION TOLERANCE ±.025 [.64].

NOTES: 1. ALL DIMENSIONS ARE IN INCHES [mm].

SIGNATURE & DATE	
DR	P. BURKE 09/16/02
CHK	B. Burke 3/14/06
PE	K. McKee 2-6-06
APPD	S. Bend 2-3-06
SCALE	NONE WT

2 WAY RECEPTACLE
RESISTOR 620 OHM
DT SERIES

ENVELOPE

CP	MATL CODE
The Deutch Company DEUTSCH I.P.D. 3850 INDUSTRIAL AVE. HEMET, CALIF. 92545	
B	DT04-2P-RT22
DWG SIZE	SHEET OF
11139	