

| LOC | DIST | REVISIONS | | | |
|-----|------|---------------------------|-----------|-----|------|
| P | LTM | DESCRIPTION | DATE | OWN | APVD |
| C3 | | REVISED PER PCN-23-188125 | 25SEP2023 | AJ | CB |
| D | | REVISED PER PCN-23-192205 | 05FEB2024 | RK | CB |
| D1 | | REVISED PER PCN-24-210159 | 21MAY2024 | PS | CB |
| D2 | | REVISED PER PCN-24-220917 | 17SEP2024 | PS | CB |

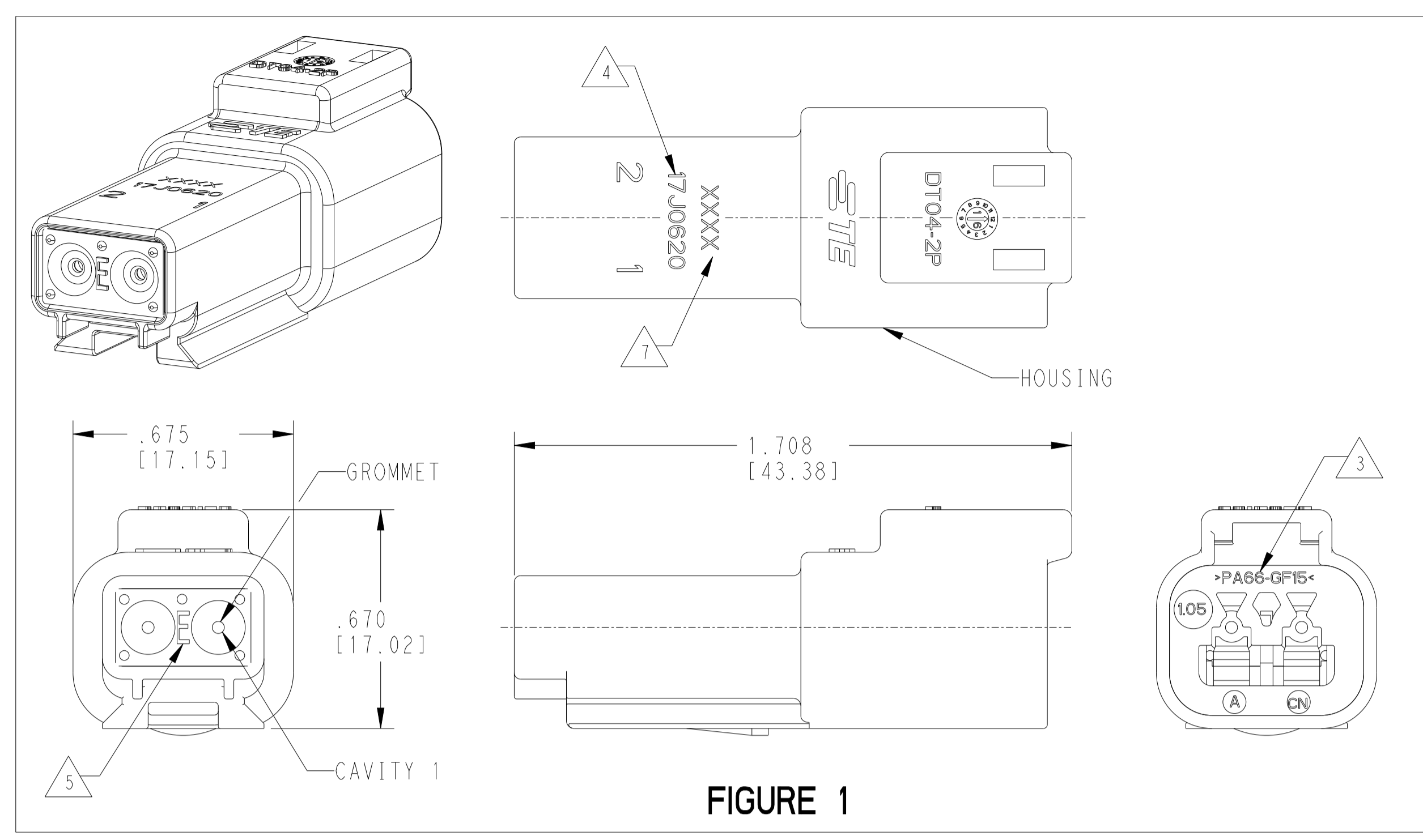


FIGURE 1

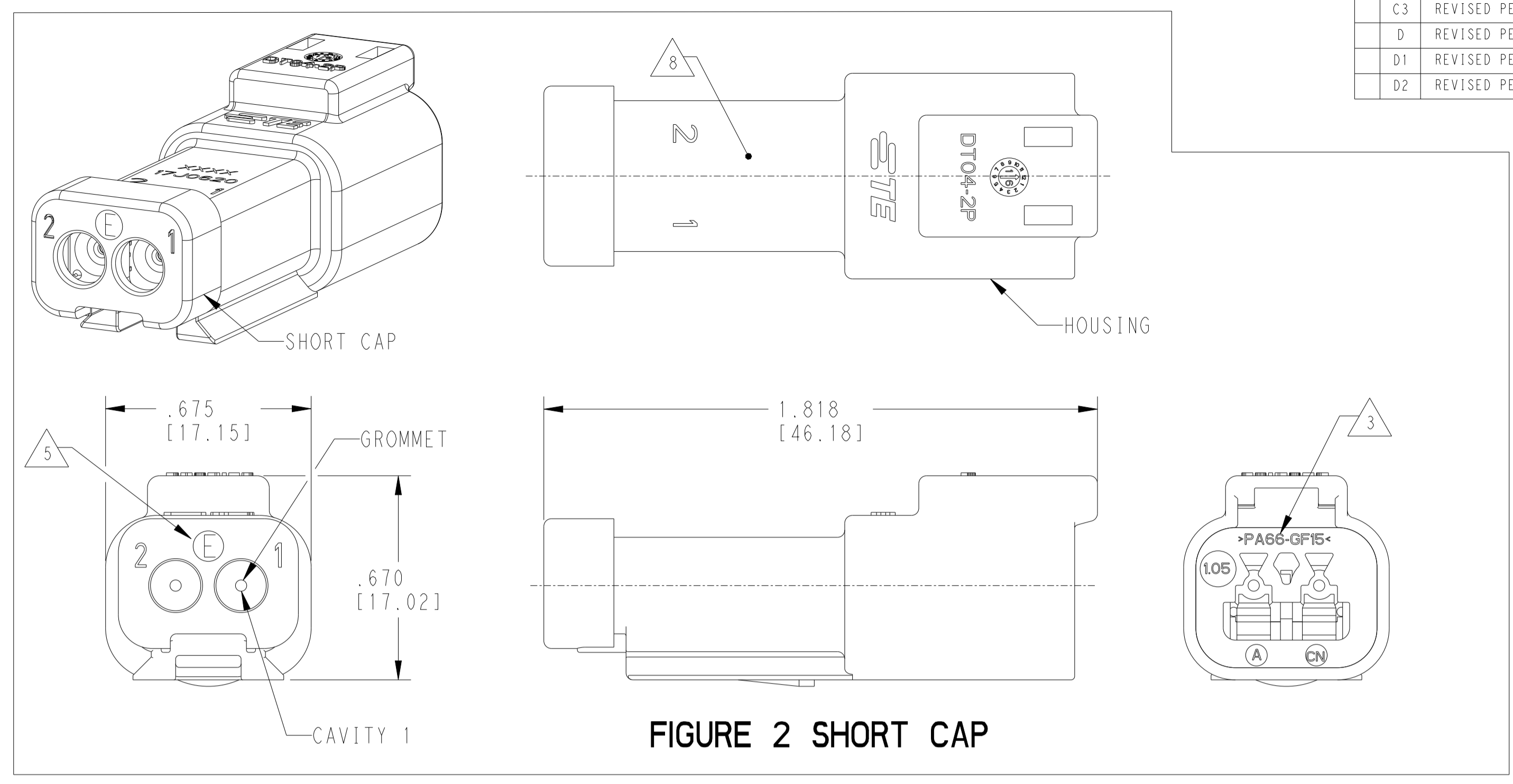


FIGURE 2 SHORT CAP

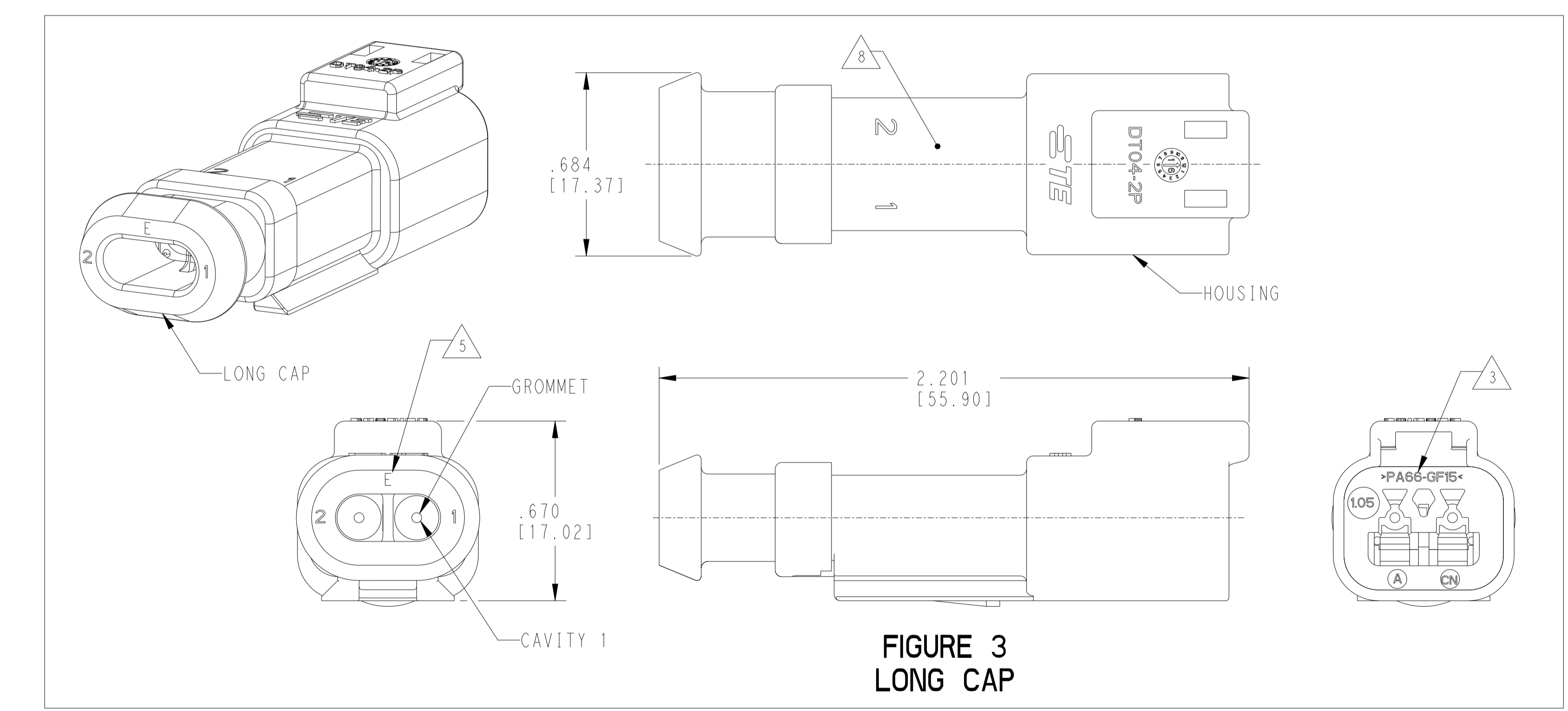


FIGURE 3 LONG CAP

| CONTACT SIZE | WIRE RANGE | INSULATION OD SEALING RANGE | SEAL IDENTIFICATION |
|--------------|--|-----------------------------|---------------------------|
| 16 | 14-20 AWG [2.5-0.5mm ²] | .088- .145 [2.23-3.68] | STANDARD SEAL |
| | | .053- .120 [1.35-3.05] | EXTRA THIN SEAL E-SEAL |

| TE INTERNAL PART NUMBER | DEUTSCH PART NUMBER | PN REV | HOUSING COLOR | STANDARD SEAL GROMMET | EXTRA THIN SEAL E-SEAL GROMMET | BLOCKED SEAL | SHORT CAP | LONG CAP | FIGURE |
|-------------------------|---------------------|--------|---------------|-----------------------|--------------------------------|--------------|-----------|----------|--------|
| DT04-2P | DT04-2P | A | GREY | X | | | | | 1 |
| DT04-2P-C015 | DT04-2P-C015 | B | GREY | | X | | | | 1 |
| DT04-2P-C017 | DT04-2P-C017 | B | GREY | | | X | X | | 2 |
| DT04-2P-CE01 | DT04-2P-CE01 | C | GREY | | X | | X | | 2 |
| DT04-2P-CE04 | DT04-2P-CE04 | D | GREY | | X | | | X | 3 |
| DT04-2P-E003 | DT04-2P-E003 | B | GREY | X | | | X | | 2 |
| DT04-2P-E008 | DT04-2P-E008 | B | GREY | X | | | | X | 3 |
| DT04-2P-EP04 | DT04-2P-EP04 | C | GREY | X | | | X | | 2 |
| DT04-2P-P004 | DT04-2P-P004 | B | GREY | X | | | | | 1 |
| DT04-2P-CE02 | DT04-2P-CE02 | B | BLACK | | X | | | | 1 |
| DT04-2P-CE03 | DT04-2P-CE03 | B | BLACK | | X | | X | | 2 |
| DT04-2P-CE09 | DT04-2P-CE09 | B | BLACK | | X | | | X | 3 |
| DT04-2P-E004 | DT04-2P-E004 | A | BLACK | X | | | | | 1 |
| DT04-2P-E005 | DT04-2P-E005 | A | BLACK | X | | | X | | 2 |
| DT04-2P-EE01 | DT04-2P-EE01 | A | BLACK | X | | | | X | 3 |
| 1-2448108-1 | DT04-2P-TE09 | A | BROWN | | X | | | | 1 |
| 1-2448108-2 | DT04-2P-TE03 | A | GREEN | | X | | | | 1 |
| 1-2448108-3 | DT04-2P-TE07 | A | BLUE | | X | | | | 1 |
| 2-2448108-1 | DT04-2P-TN09 | A | BROWN | X | | | | | 1 |
| 2-2448108-2 | DT04-2P-TN03 | A | GREEN | X | | | | | 1 |
| 2-2448108-3 | DT04-2P-TN07 | A | BLUE | X | | | | | 1 |
| 3-2448108-1 | DT04-2P-EE18 | A | BROWN | | X | | X | | 2 |
| 3-2448108-2 | DT04-2P-EE16 | A | GREEN | | X | | X | | 2 |
| 3-2448108-3 | DT04-2P-EE17 | A | BLUE | | X | | X | | 2 |
| 4-2448108-1 | DT04-2P-EE14 | A | BROWN | X | | | X | | 2 |
| 4-2448108-2 | DT04-2P-EE13 | A | GREEN | X | | | X | | 2 |
| 4-2448108-3 | DT04-2P-EE06 | A | BLUE | X | | | X | | 2 |

4 DATE CODE: IDENTIFIES THE YEAR, MONTH, DAY AND HOUR OF ASSEMBLY.
 YEAR: FIRST AND SECOND DIGITS. (17 = 2017)
 MONTH: THIRD DIGIT, EXCLUDING I. A = JAN, B = FEB, C = MARCH ... (K = OCTOBER)
 DAY: FOURTH AND FIFTH DIGITS (14 = 14th DAY)
 HOUR: SIXTH AND SEVENTH DIGITS (11 = 11AM)

3 MATERIAL: HOUSING, PA66 GF15, SEE TABLE FOR COLOR
 SHORT, LONG CAP: PA66 GF15, BLACK
 GROMMET: E-SEAL VMO (BURNT RED)
 N-SEAL VMO (RED-ORANGE)
 BLOCKED VMO (RED-ORANGE)

2. THIS RECEPTACLE MATES WITH DT06-2S-XXXX PLUG.
 (XXXX = ALL MODIFICATIONS)
 1. SECONDARY WEDGE LOCK SOLD SEPARATELY: W2PX-XXXX.
 (X = A,B,C,D KEY, XXXX = ALL MODIFICATIONS)

6. FOR CONTACTS AND WIRE PERFORMANCE AND APPLICATION CHARACTERISTICS SEE CUSTOMER DRAWING 0425-015-0000.

5 "E" IDENTIFIES E-SEAL.

NOTES: UNLESS OTHERWISE SPECIFIED

THIS DRAWING IS A CONTROLLED DOCUMENT. OWN: JAIME C. APOSTOL 16 JUN 2016
 CHK: D. MEYER 16 JUN 2016
 APVD: D. MEYER 16 JUN 2016

DIMENSIONS: i.n. [mm]

TOLERANCES UNLESS OTHERWISE SPECIFIED:
 0 PLC ±
 1 PLC ±
 2 PLC ±
 3 PLC ±.025 (0.64)
 4 PLC ±
 ANGLES ±40°30'0"

MATERIAL: 3

TE Connectivity

NAME: 2 WAY RECEPTACLE, STANDARD SEAL EXTRA THIN SEAL, SHORT CAP AND LONG CAP, DT SERIES

SIZE: A1 CAGE CODE: 4AFU8 DRAWING NO: DT04-2P-XXXX

CUSTOMER DRAWING SCALE: 3:1 SHEET 1 OF 1 REV: D2