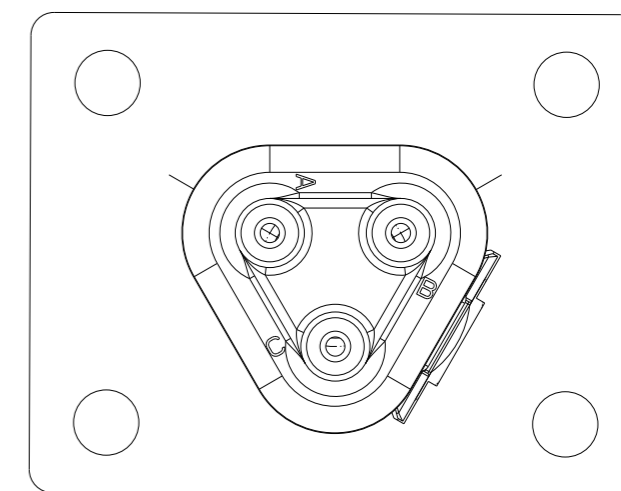
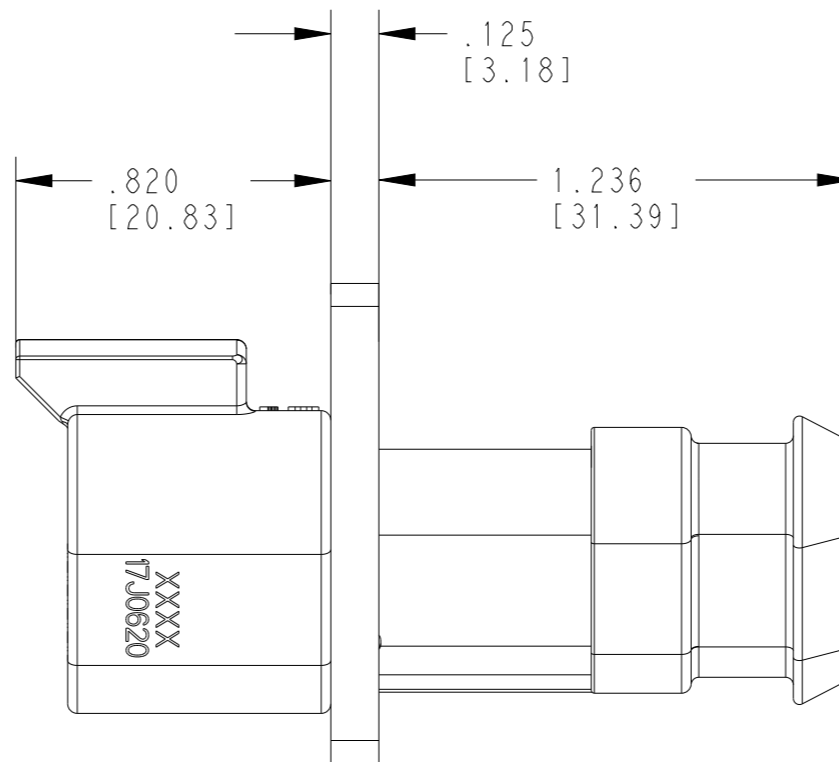
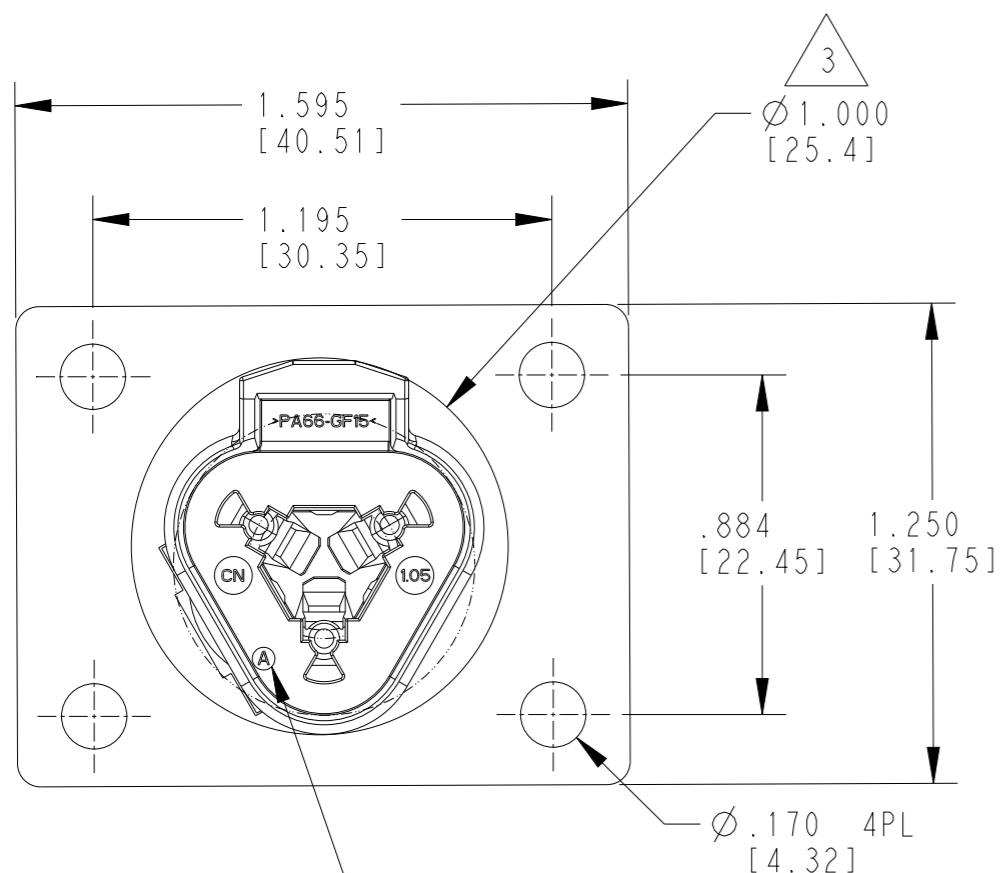


REVISIONS

P	LTR	DESCRIPTION	DATE	DWN	APVD
	NC	NEW RELEASE PER E.O. A14887	18AUG1995	CW	RDR
	A	REVISED PER E.O. P18489	20APR2004	XS	RDR
	B	REVISED PER PCN-23-192205	05FEB2024	RK	CB



DATE CODE: SEQUENTIAL ALPHA CHARACTERS REPRESENT MONTH (EX: A=JANUARY)

- 4. MATERIAL: HOUSING: PA66 GF15 (GRAY)
WELD CAP: PA66 GF15 (BLACK)
FLANGE: PA66 GF15 (GRAY)
GROMMET: VMQ (RED-ORANGE)

3 OUTLINES SHOWN FOR PANEL CUT OUT.

2. THIS RECEPTACLE MATES WITH DT06-3S-XXXX PLUG (XXXX= ALL MODIFICATIONS).CONSULT FACTORY FOR MODIFICATION.

1 FOR CONTACTS AND WIRE PERFORMANCE AND APPLICATION CHARACTERISTICS SEE ENVELOPE DRAWING 0425-015-0000 AND 0425-017-0000

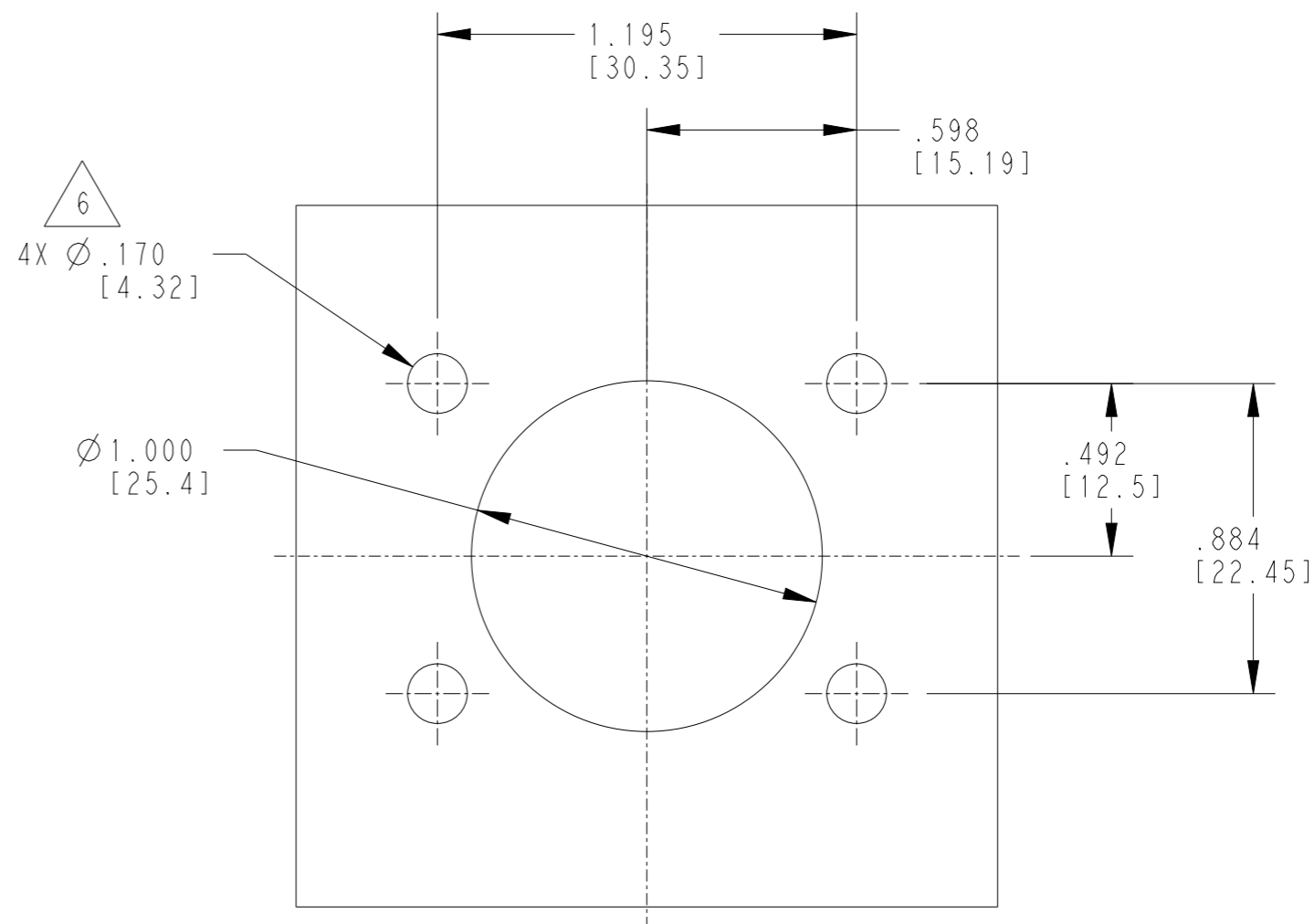
NOTES:

CONTACT SIZE	MIN. INSUL O.D.	MAX. INSUL O.D.	WIRE RANGE [mm ²] REF ONLY
16	.088 [2.24]	.145 [3.68]	14-20 AWG [2.5-0.5]

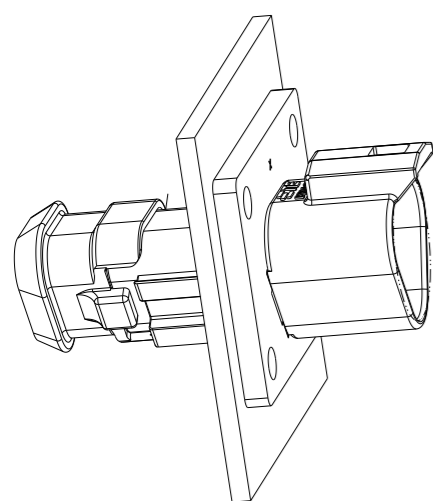
THIS DRAWING IS A CONTROLLED DOCUMENT.		DWN C. WOODRUFF 18AUG1995	TE TE Connectivity			
DIMENSIONS: IN [mm]		CHK C. WOODRUFF 18AUG1995				
TOLERANCES UNLESS OTHERWISE SPECIFIED:		APVD R. REED 18AUG1995	NAME 3 WAY RECEPTACLE FLANGE MOUNT -LE08 MOD. DT SERIES			
0 PLC ±-		PRODUCT SPEC 108-151009				
1 PLC ±-		APPLICATION SPEC 114-151009	SIZE A3	CAGE CODE -	DRAWING NO. ©-DT04-3P-LE08	RESTRICTED TO -
2 PLC ±-		WEIGHT 13.2				
3 PLC ±.025 [0.63]						
4 PLC ±-						
ANGLES ±-						
FINISH						
MATERIAL		CUSTOMER DRAWING				
4		SCALE 2:1	SHEET 1 OF 2	REV B		

REVISIONS

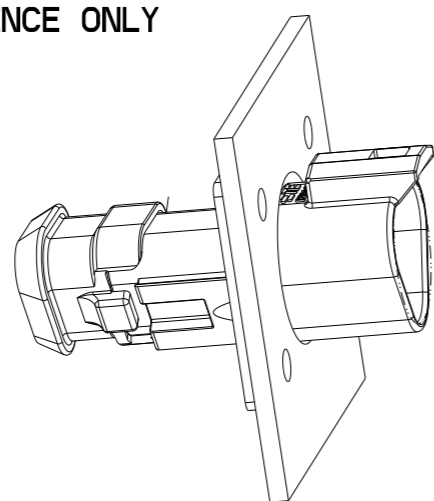
P	LTR	DESCRIPTION	DATE	DWN	APVD
	-	SEE SHEET 1	-	-	-



FOR REFERENCE ONLY



FRONT MOUNT



REAR MOUNT

RECOMMENDED CUTOUT FRONT AND REAR MOUNT

THIS DRAWING IS A CONTROLLED DOCUMENT.

DWN C. WOODRUFF 18AUG1995

CHK C. WOODRUFF 18AUG1995

APVD R. REED 18AUG1995

PRODUCT SPEC 105-151009

APPLICATION SPEC 114-151009

WEIGHT 13.2g

CUSTOMER DRAWING



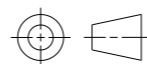
NAME
3 WAY RECEPTACLE
FLANGE MOUNT -LE08 MOD.
DT SERIES

SIZE	CAGE CODE	DRAWING NO	RESTRICTED TO
------	-----------	------------	---------------

A3	4AFU8	DT04-3P-LE08	-
----	-------	--------------	---

SCALE	SHEET	OF	REV
2:1	2	2	B

DIMENSIONS:
IN [mm]



4

TOLERANCES UNLESS
OTHERWISE SPECIFIED:

- 0 PLC ±
- 1 PLC ±
- 2 PLC ±
- 3 PLC ±
- 4 PLC ±
- ANGLES ±0° 30' 0"
- FINISH



1