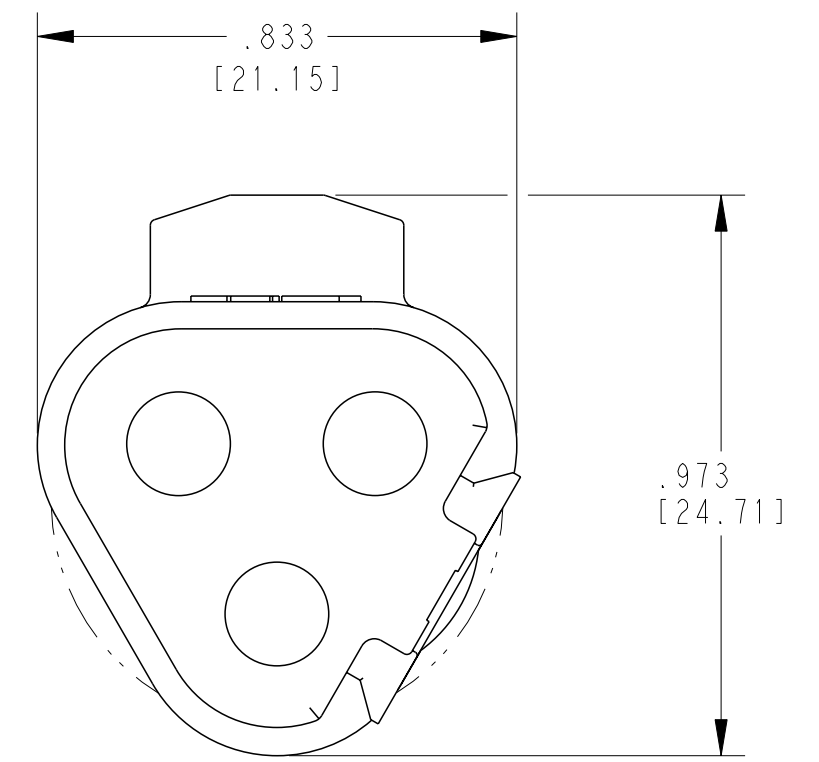
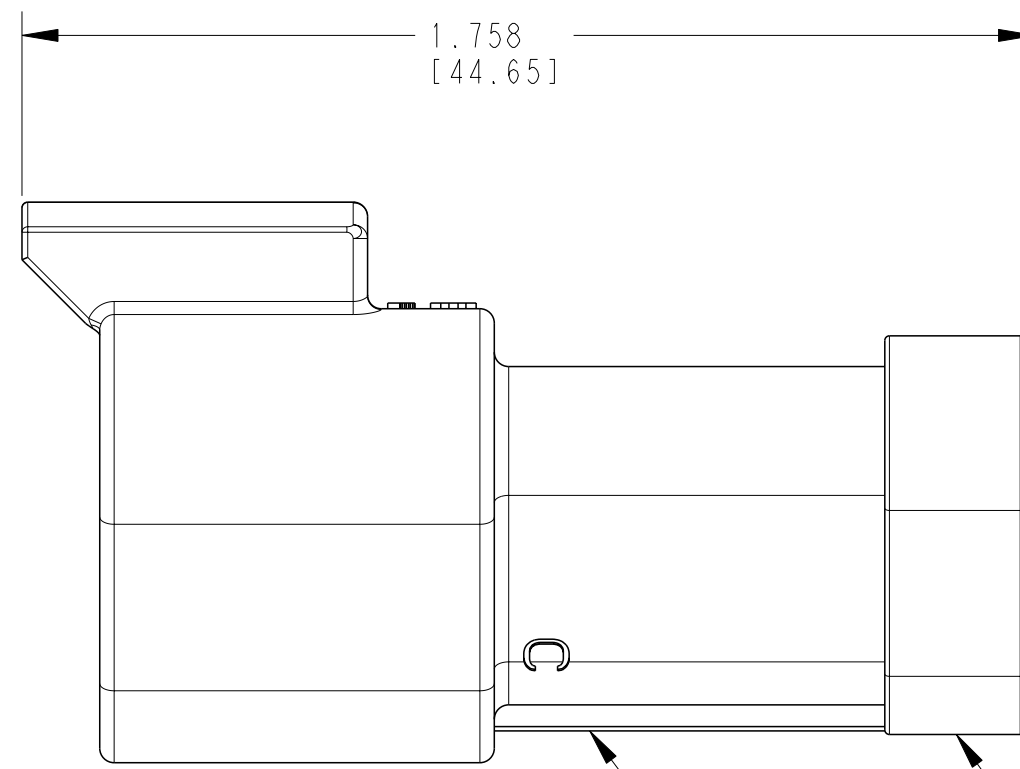
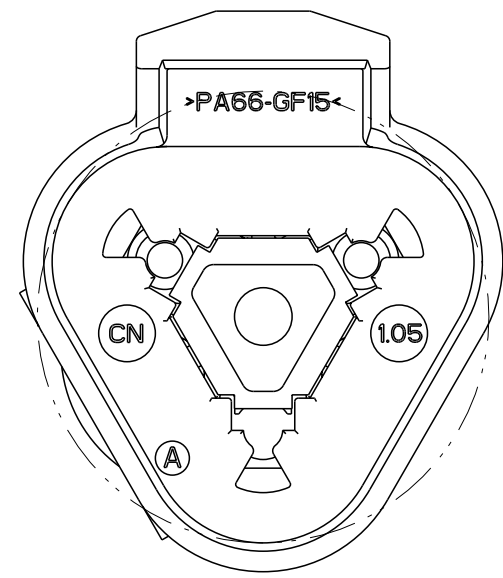
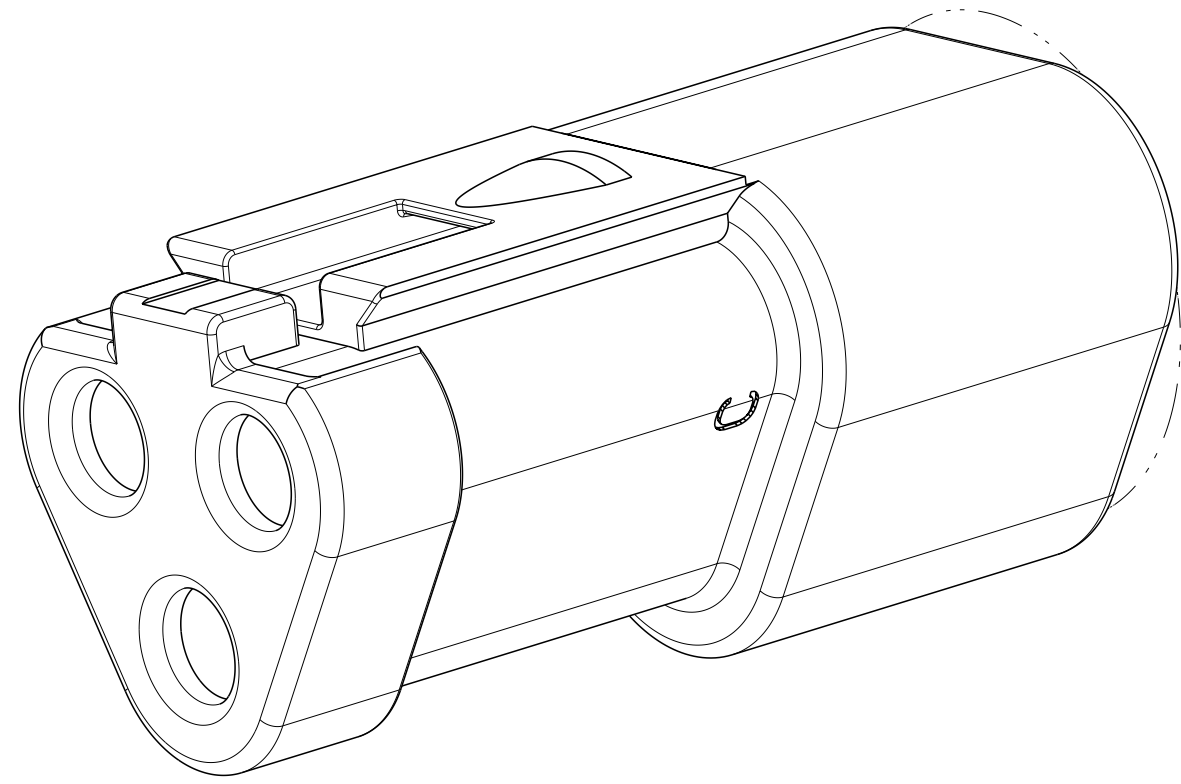


P	LTR	DESCRIPTION	DATE	DWN	APVD
A		REVISED PER E.O. P16179	07/16/99	-	RDR
B		REVISED PER PCN-24-197840	27DEC2023	RK	CB



WELD CAP
RECEPTACLE HOUSING

4 MATERIAL:
HOUSING AND CAP: PA66 GF15, GRAY
CONTACTS: COPPER ALLOY, GOLD PLATED
WEDGELOCK: PBT GF30, BLUE

- 3. 120 Ω RESISTOR IS INSERTED INTO CAVITIES A AND B.
RESISTOR CHARACTERISTICS: 120Ω ±10%, 0.4 WATTS MINIMUM.
- 2. THIS RECEPTACLE MATES WITH THE DT06-3S-XXXX PLUG (XXXX = J1939 ALL MODIFICATIONS).
CONSULT FACTORY FOR MODIFICATIONS.
- 1. FOR CONTACTS AND WIRE PERFORMANCE AND APPLICATION CHARACTERISTICS
SEE ENVELOPE DRAWING 0425-015-0000 AND 0425-017-0000.

NOTES:

THIS DRAWING IS A CONTROLLED DOCUMENT.		DWN S. THEIS 07JUL1999	STE TE Connectivity	
DIMENSIONS: in [mm]		CHK S. THEIS 08JUL1999		
TOLERANCES UNLESS OTHERWISE SPECIFIED:		APVD R. READ 13JUL1999	NAME 3 WAY RECEPTACLE, DT SERIES (TERMINATING RECEPTACLE) -P006 MOD	
0 PLC ± 1 PLC ± 2 PLC ± 3 PLC ±.025 [0.64] 4 PLC ±		PRODUCT SPEC 108-151009	SIZE A2	CAGE CODE 4AFU8
ANGLES ± FINISH		APPLICATION SPEC 0425-017-0000	DRAWING NO DT04-3P-P006	RESTRICTED TO -
MATERIAL 4		WEIGHT 9.20g	CUSTOMER DRAWING	
		SCALE 3:1	SHEET 1 OF 1	REV B