

LOC	DIST	REVISIONS			
P	LTM	DESCRIPTION	DATE	OWN	APVD
C		REVISED PER PCN E-19-014633	27JUN2019	NS	RM
C1		REVISED PER PCN-23-187402	19SEP2023	OD	IG
D		REVISED PER PCN-23-192205	05FEB2024	RK	CB
D1		REVISED PER PCN-24-210159	21MAY2024	PS	CB

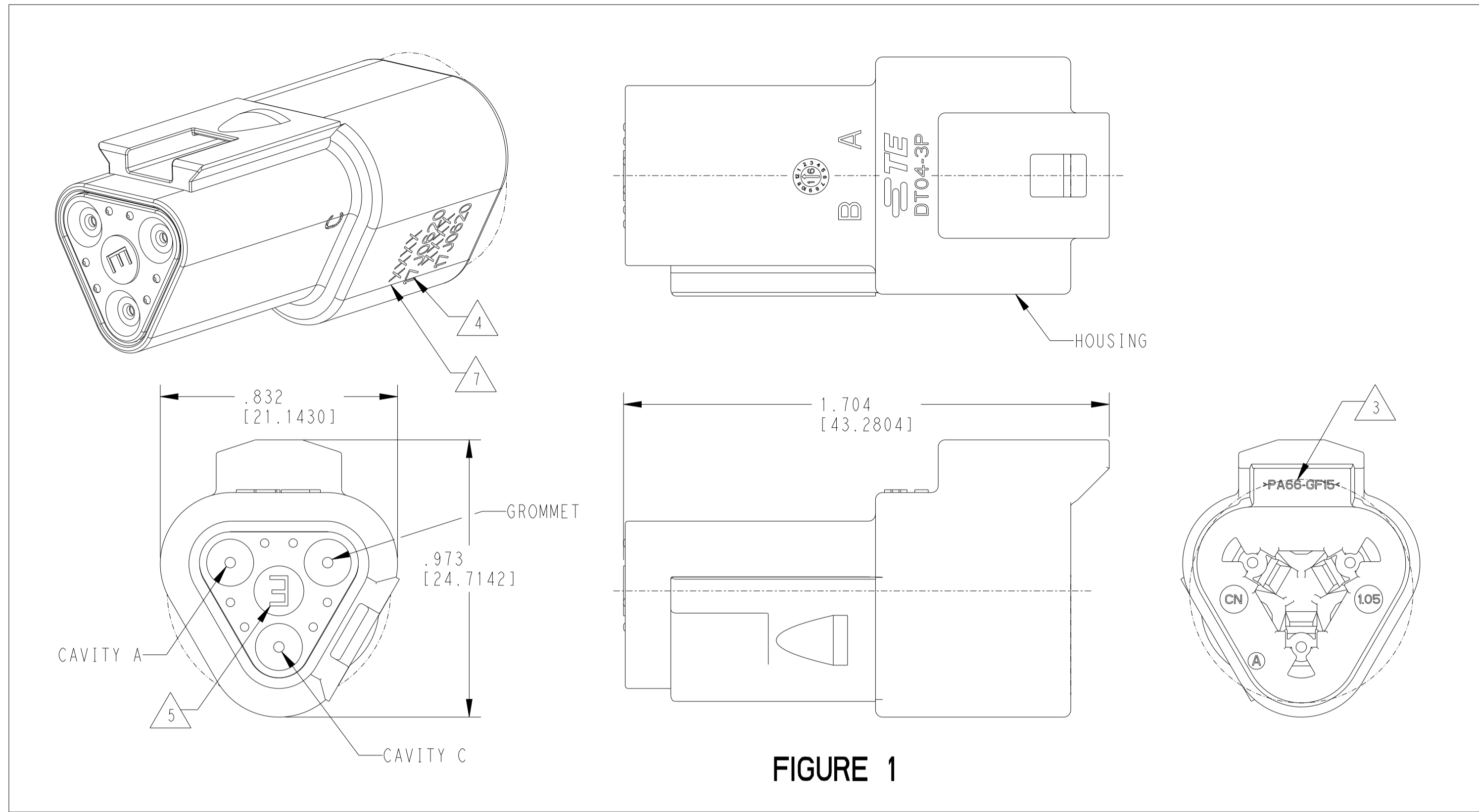


FIGURE 1

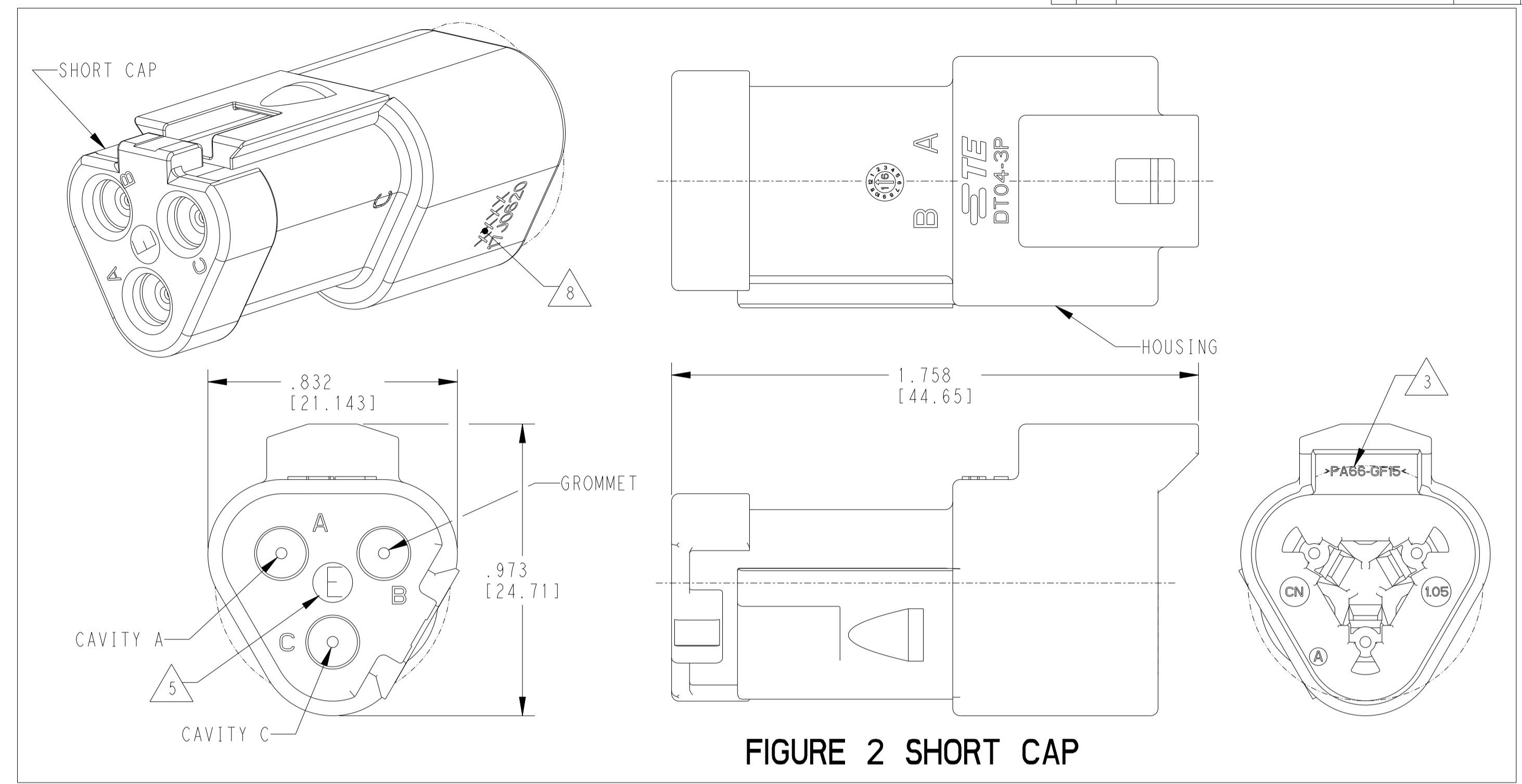


FIGURE 2 SHORT CAP

CONTACT SIZE	WIRE RANGE	INSULATION OD SEALING RANGE	SEAL IDENTIFICATION
16	14-20 AWG [2.5-0.5mm ²]	.088-.145 [2.23-3.68]	STANDARD SEAL
		.053-.120 [1.35-3.05]	EXTRA THIN SEAL E-SEAL

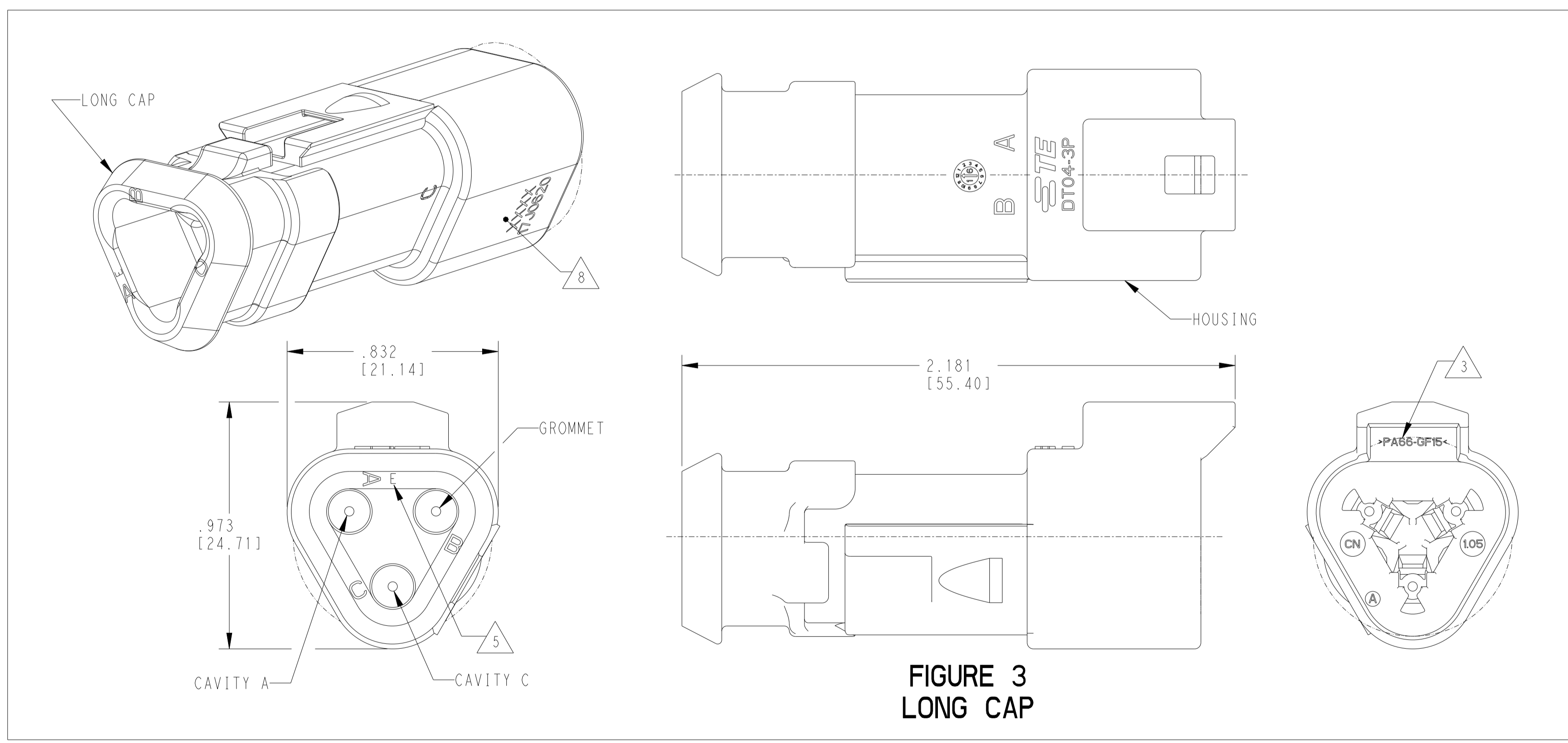


FIGURE 3 LONG CAP

TE INTERNAL PART NUMBER	DEUTSCH PART NUMBER	PN REV	HOUSING COLOR	STANDARD SEAL GROMMET	EXTRA THIN SEAL E-SEAL GROMMET	BLOCKED SEAL	SHORT CAP	LONG CAP	FIGURE
DT04-3P	DT04-3P	A	GREY	X					1
DT04-3P-C015	DT04-3P-C015	B	GREY		X				1
DT04-3P-C017	DT04-3P-C017	B	GREY			X	X		2
DT04-3P-CE01	DT04-3P-CE01	C	GREY		X		X		2
DT04-3P-CE04	DT04-3P-CE04	C	GREY		X			X	3
DT04-3P-E003	DT04-3P-E003	B	GREY	X			X		2
DT04-3P-E008	DT04-3P-E008	B	GREY	X				X	3
DT04-3P-EP04	DT04-3P-EP04	C	GREY	X			X		2
DT04-3P-P004	DT04-3P-P004	B	GREY	X					1
DT04-3P-CE02	DT04-3P-CE02	B	BLACK		X				1
DT04-3P-CE03	DT04-3P-CE03	B	BLACK		X		X		2
DT04-3P-CE09	DT04-3P-CE09	B	BLACK		X			X	3
DT04-3P-E004	DT04-3P-E004	A	BLACK	X			X		1
DT04-3P-E005	DT04-3P-E005	A	BLACK	X				X	2
DT04-3P-EE01	DT04-3P-EE01	A	BLACK	X				X	3
1-2448110-1	DT04-3P-TE09	A	BROWN		X				1
1-2448110-2	DT04-3P-TE03	A	GREEN		X				1
1-2448110-3	DT04-3P-TE07	A	BLUE		X				1
2-2448110-1	DT04-3P-TN09	A	BROWN	X					1
2-2448110-2	DT04-3P-TN03	A	GREEN	X					1
2-2448110-3	DT04-3P-TN07	A	BLUE	X					1
3-2448110-1	DT04-3P-EE18	A	BROWN		X		X		2
3-2448110-2	DT04-3P-EE16	A	GREEN		X		X		2
3-2448110-3	DT04-3P-EE17	A	BLUE		X		X		2
4-2448110-1	DT04-3P-EE14	A	BROWN	X			X		2
4-2448110-2	DT04-3P-EE13	A	GREEN	X			X		2
4-2448110-3	DT04-3P-EE06	A	BLUE	X			X		2

- 3 MATERIAL: HOUSING: PA66 GF15, SEE TABLE FOR COLOR
 SHORT, LONG CAP: PA66 GF15, BLACK
 GROMMET: VMO N-SEAL: ORANGE-RED
 E-SEAL: BURNT RED
 - 2. THIS RECEPTACLE MATES WITH DT06-3S-XXXX PLUG.
 (XXXX = ALL MODIFICATIONS)
 - 1. SECONDARY WEDGE LOCK SOLD SEPARATELY: W3P-XXXX.
 (XXXX = ALL MODIFICATIONS)
- NOTES: UNLESS OTHERWISE SPECIFIED

- 7 XXXX IDENTIFIES THE MODIFICATION NUMBER, IF APPLICABLE.
 EXAMPLE: "E003" FOR DT04-3P-E003,
 OR BLANK FOR DT04-3P.
- 6. FOR CONTACTS AND WIRE PERFORMANCE AND APPLICATION
 CHARACTERISTICS SEE CUSTOMER DRAWING 0425-015-0000.
- 5 "E" IDENTIFIES E-SEAL.
- 4 DATE CODE: IDENTIFIES THE YEAR, MONTH, DAY AND HOUR OF ASSEMBLY.
 YEAR: FIRST AND SECOND DIGITS. (17 = 2017)
 MONTH: THIRD DIGIT, EXCLUDING I. A = JAN, B = FEB,
 C = MARCH ... (K = OCTOBER)
 DAY: FOURTH AND FIFTH DIGITS (14 = 14th DAY)
 HOUR: SIXTH AND SEVENTH DIGITS (11 = 11AM)

8 ADDITIONAL MARKING PER NOTE 4 AND 7 EXCLUSIVELY
 FOR PARTS WITH CAPS PRODUCED IN CHINA.

THIS DRAWING IS A CONTROLLED DOCUMENT. OWN: J. JAIME C. APOSTOL 12 JUL 2016
 CHK: D. MEYER 12 JUL 2016
 APVD: D. MEYER 12 JUL 2016

DIMENSIONS: i.n. [mm]

TOLERANCES UNLESS OTHERWISE SPECIFIED:
 0 PLC # #
 1 PLC # #
 2 PLC # #
 3 PLC # #
 4 PLC # #
 ANGLES #0°30'0"

MATERIAL: 3

TE Connectivity

NAME: 3 WAY RECEPTACLE, STANDARD SEAL
 EXTRA THIN SEAL, SHORT CAP AND
 LONG CAP, DT SERIES

SIZE: 114-151009
 CAGE CODE: 114-151009
 WEIGHT: 4AFU8

RESTRICTED TO: 1

CUSTOMER DRAWING SCALE: 3:1 SHEET 1 OF 1 REV: D1