

REVISIONS				
REV	DATE	DESCRIPTION	BY	APPV
A3	14NOV2023	REVISED PER PCN-23-192535	AJ	CB
A4	20DEC2023	REVISED PER PCN-23-195806	AJ	CB
B	05FEB2024	REVISED PER PCN-23-192205	RK	CB
B1	21MAY2024	REVISED PER PCN-24-210159	PS	CB

FIGURE 1

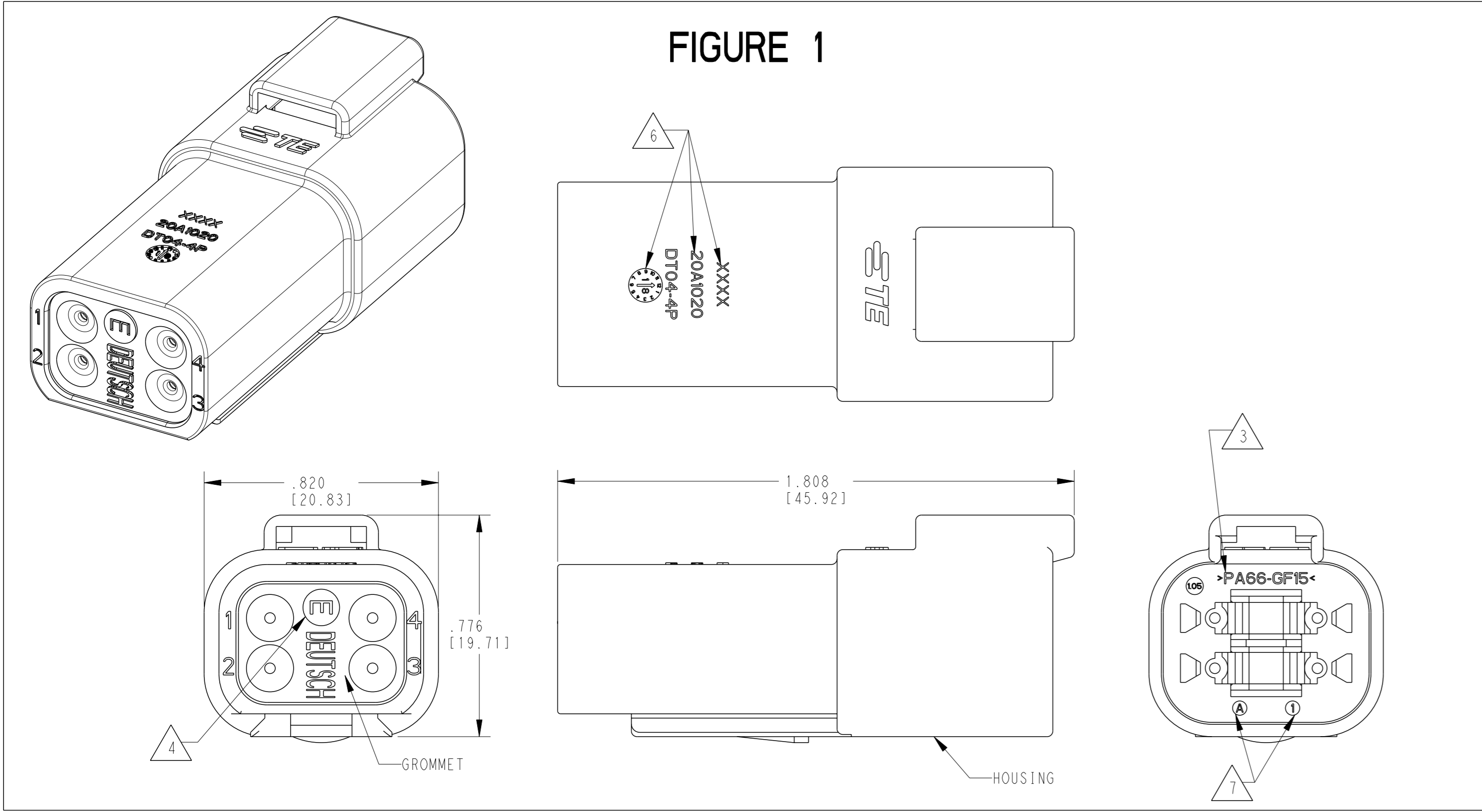


FIGURE 2 SHORT CAP

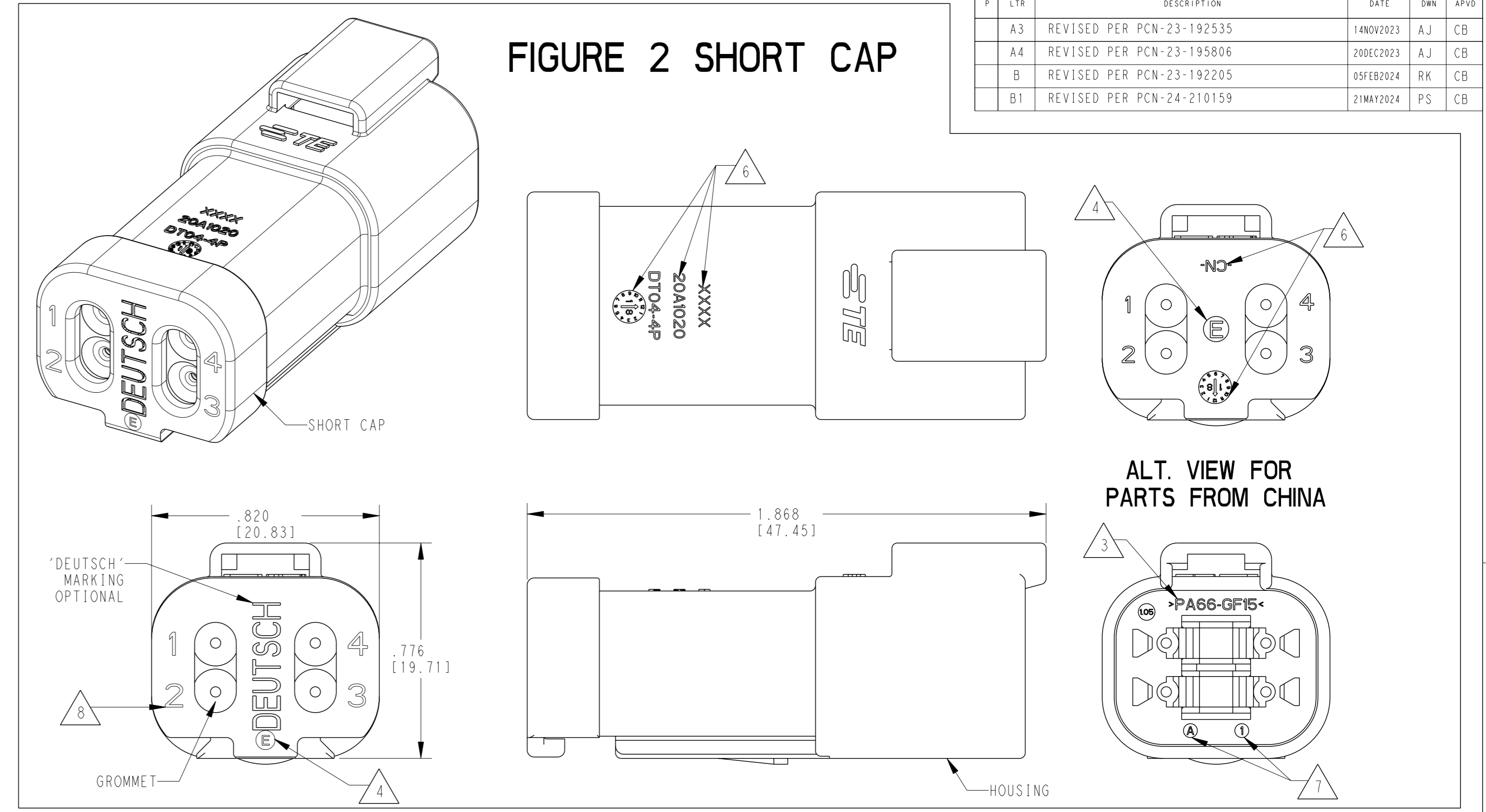
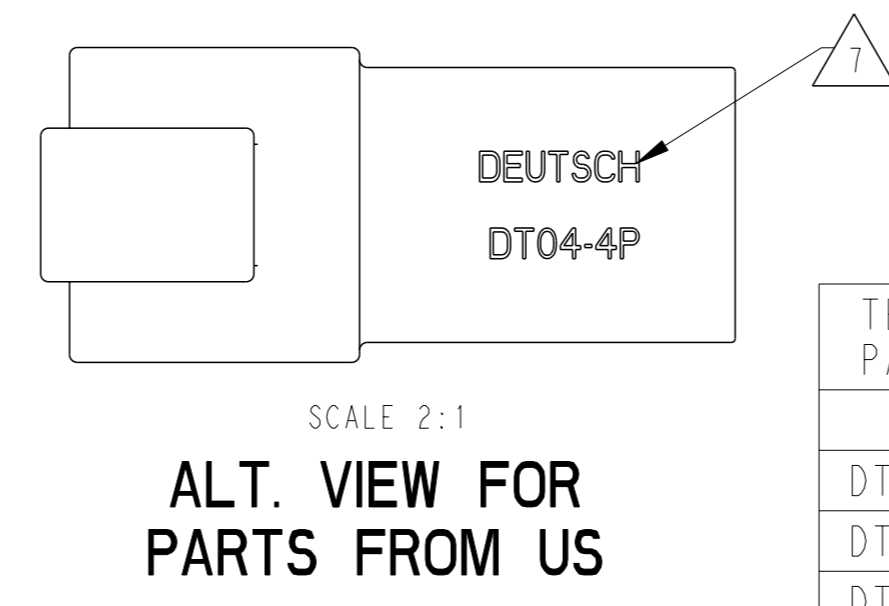
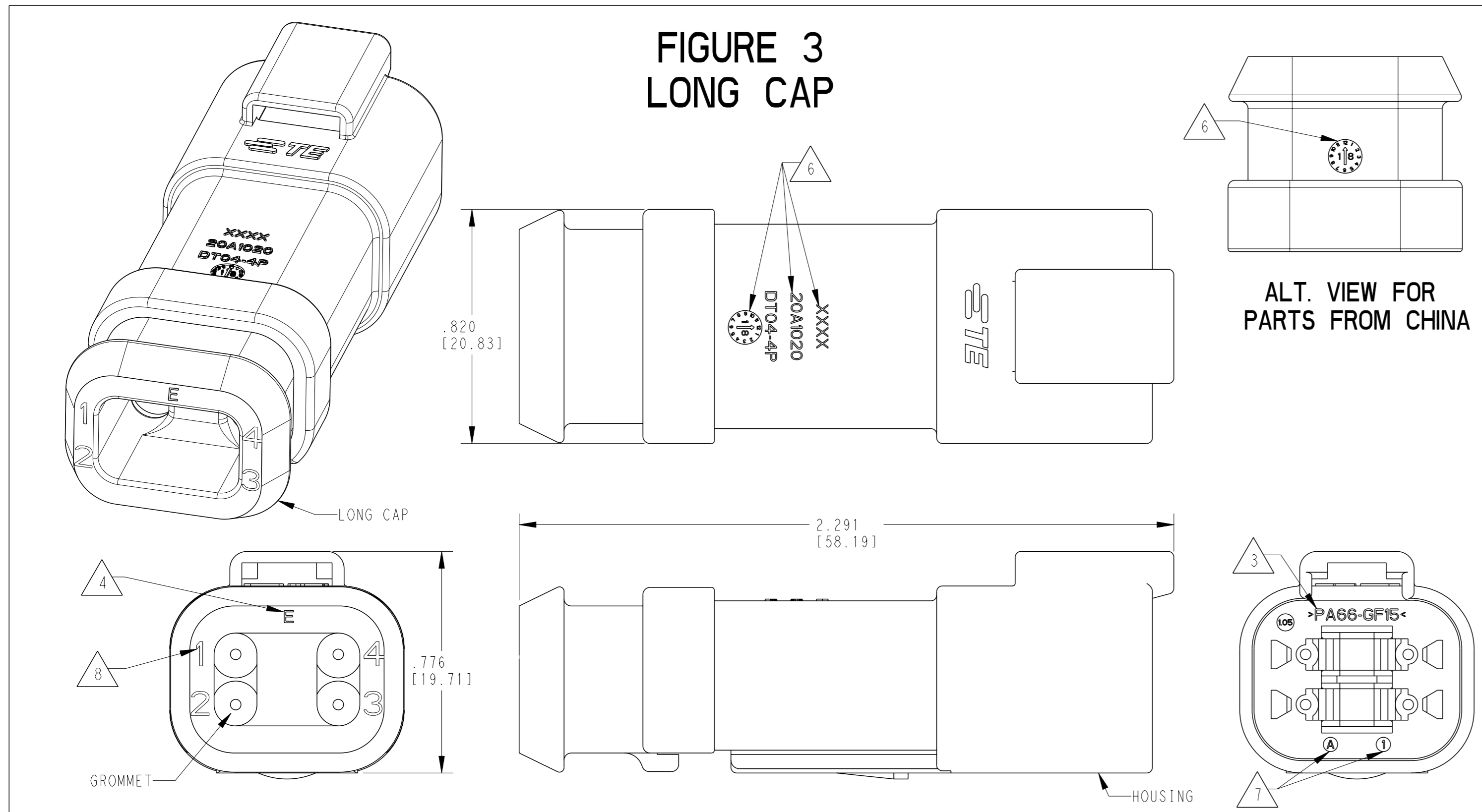


FIGURE 3 LONG CAP



CONTACT SIZE	WIRE RANGE	INSULATION OD SEALING RANGE	SEAL IDENTIFICATION
16	14-20 AWG [2.5-0.5mm ²]	.088 - .145 [2.23-3.68] .053 - .120 [1.35-3.05]	STANDARD SEAL EXTRA THIN SEAL E-SEAL

TE INTERNAL PART NUMBER	DEUTSCH PART NUMBER	PN REV	HOUSING COLOR	STANDARD SEAL	EXTRA THIN SEAL E-SEAL	BLOCKED SEAL	SHORT CAP	LONG CAP	FIGURE
DT04-4P	DT04-4P	A	GRAY	X					1
DT04-4P-C015	DT04-C015	B	GRAY		X				1
DT04-4P-C017	DT04-4P-C017	C	GRAY			X	X		2
DT04-4P-CE01	DT04-4P-CE01	C	GRAY		X		X		2
DT04-4P-CE02	DT04-4P-CE02	B	BLACK		X				1
DT04-4P-CE03	DT04-4P-CE03	B	BLACK		X		X		2
DT04-4P-CE04	DT04-4P-CE04	C	GRAY		X			X	3
DT04-4P-CE09	DT04-4P-CE09	B	BLACK		X			X	3
DT04-4P-CE26	DT04-4P-CE26	A	BLACK			X	X		2
DT04-4P-E003	DT04-4P-E003	B	GRAY	X			X		2
DT04-4P-E004	DT04-4P-E004	A	BLACK	X					1
DT04-4P-E005	DT04-4P-E005	A	BLACK	X			X		2
DT04-4P-E008	DT04-4P-E008	C	GRAY	X				X	3
DT04-4P-EE01	DT04-4P-EE01	A	BLACK	X				X	3
DT04-4P-EP04	DT04-4P-EP04	C	GRAY	X			X		2
DT04-4P-P004	DT04-4P-P004	B	GRAY	X					1
1-2448112-1	DT04-4P-TE09	A	BROWN		X				1
1-2448112-2	DT04-4P-TE03	A	GREEN		X				1
1-2448112-3	DT04-4P-TE07	A	BLUE		X				1
1-2448112-1	DT04-4P-TN09	A	BROWN	X					1
1-2448112-2	DT04-4P-TN03	A	GREEN	X					1
1-2448112-3	DT04-4P-TN07	A	BLUE	X					1
3-2448112-1	DT04-4P-EE18	A	BROWN		X		X		2
3-2448112-2	DT04-4P-EE16	A	GREEN		X		X		2
3-2448112-3	DT04-4P-EE17	A	BLUE		X		X		2
4-2448112-1	DT04-4P-EE14	A	BROWN	X			X		2
4-2448112-2	DT04-4P-EE13	A	GREEN	X			X		2
4-2448112-3	DT04-4P-EE06	A	BLUE	X			X		2

6. MARKING FOR PARTS PRODUCED IN CHINA:

- XXXX IDENTIFIES THE MODIFICATION NUMBER, IF APPLICABLE. EXAMPLE: "E003" FOR DT04-4P-E003, OR BLANK FOR DT04-4P
- DATE CODE: IDENTIFIES THE YEAR, MONTH, DAY AND HOUR OF ASSEMBLY.
YEAR: FIRST AND SECOND DIGIT. (17 = 2017)
MONTH: THIRD DIGIT, EXCLUDING 1. A = JAN, B = FEB, C = MARCH ... (K = OCTOBER)
DAY: FOURTH AND FIFTH DIGITS (14 = 14th DAY)
HOUR: SIXTH AND SEVENTH DIGITS (11 = 11AM)
- DIAL DATE CODE LOCATED ON HOUSING AND/OR CAP.
-CN LOCATED ON HOUSING AND/OR CAP.
- 5. FOR CONTACT AND WIRE PERFORMANCE AND APPLICATION CHARACTERISTICS SEE CUSTOMER DRAWING 0425-015-0000.

- 8. BLOCKED SEAL CONNECTORS (EXAMPLE: C017) WILL NOT HAVE THE TERMINAL CAVITY IDENTIFICATION MARKINGS ON THEIR CAPS.
- 7. MARKING FOR PARTS PRODUCED IN US:
-DATE CODE:
YEAR TO BE LAST NUMERICAL DIGIT, EX: 1 = 2021
MONTH USES SEQUENTIAL ALPHA CHARACTERS, EX: A = JANUARY
-DEUTSCH

- 4. "E" IDENTIFIES E-SEAL, LOCATED APPROX. AS SHOWN.
- 3. MATERIAL: HOUSING: PA66 GF15, SEE TABLE FOR COLOR
SHORT, LONG CAP: PA66 GF15, BLACK
GROMMET: E-SEAL VMQ (BURNT RED)
N-SEAL VMQ (RED-ORANGE)
BLOCKED VMQ (RED-ORANGE)
- 2. THIS RECEPTACLE MATES WITH DT06-4S-XXXX PLUG (XXXX = ALL MODIFICATIONS)
- 1. SECONDARY WEDGE LOCK SOLD SEPARATELY: W4PX-XXXX. (X = A,B,C,D KEY, XXXX = ALL MODIFICATIONS)

NOTES: UNLESS OTHERWISE SPECIFIED

THIS DRAWING IS A CONTROLLED DOCUMENT.

OWN: A. POLO 14DEC2021	CHK: R. MESSENGER 14DEC2021	APV: I. GRANICHABOVA 14DEC2021
NAME: 4 WAY RECEPTACLE, STANDARD SEAL EXTRA THIN SEAL, SHORT AND LONG CAP, DT SERIES		
SIZE: 108-151009 APPLICATION SPEC		
WEIGHT: 114-151009		
MATERIAL: 3		
FINISH: 40°30'0"		
CUSTOMER DRAWING		

TE Connectivity

4FAU8 ©=DT04-4P-XXXX

SCALE: 3:1 SHEET 1 OF 1 REV B1

Printed on 10 Jun 2024 11:18 (Eastern Standard Time) from TEE9496.