

REVISIONS				
P	LTN	DESCRIPTION	DATE	APP'D
A4		REVISED PER PCN-23-190838	26OCT2023	AJ CB
A5		REVISED PER PCN-23-193051	20NOV2023	AJ CB
B		REVISED PER PCN-23-192205	05FEB2024	RK CB
B1		REVISED PER PCN-24-210159	21MAY2024	PS CB

FIGURE 1

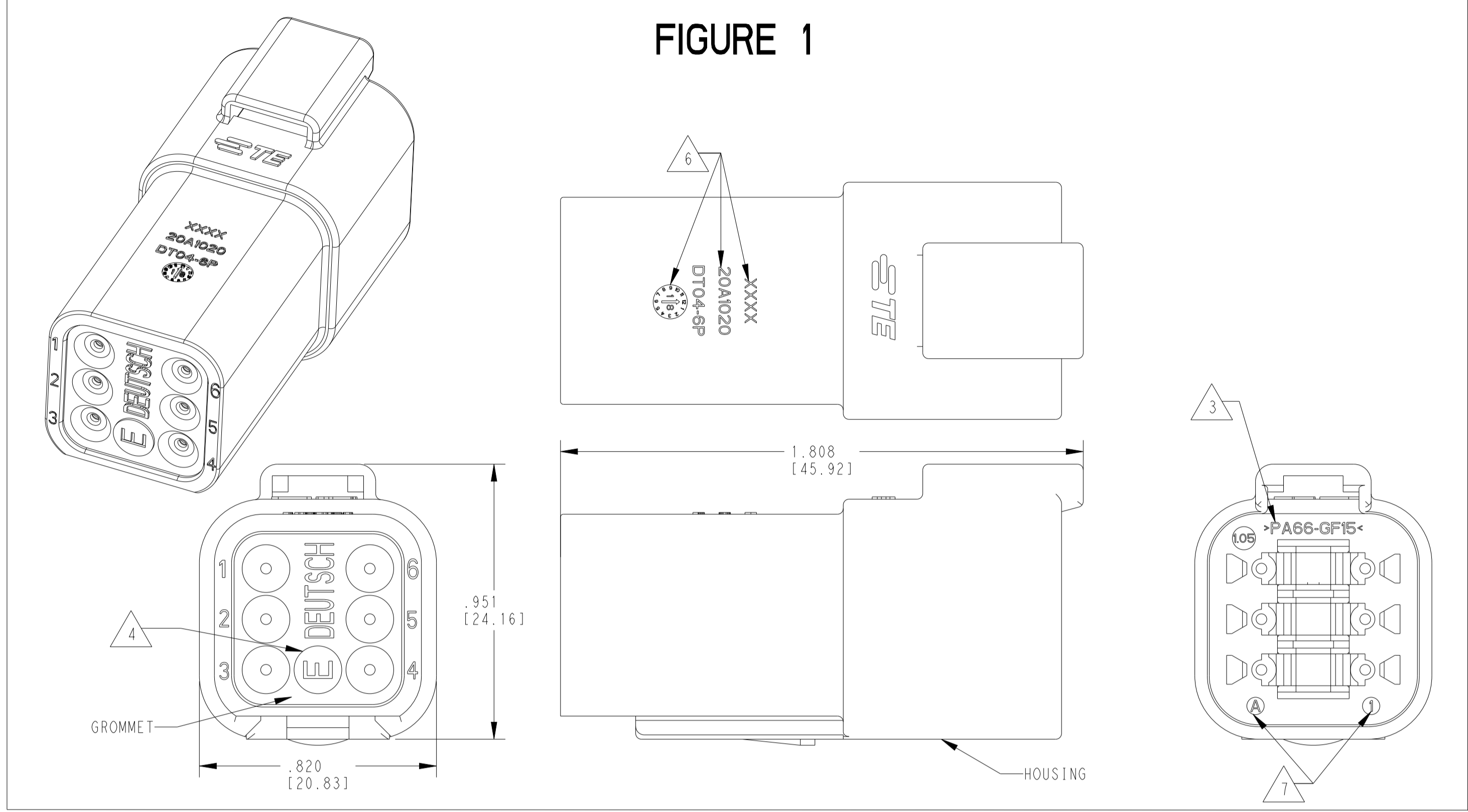
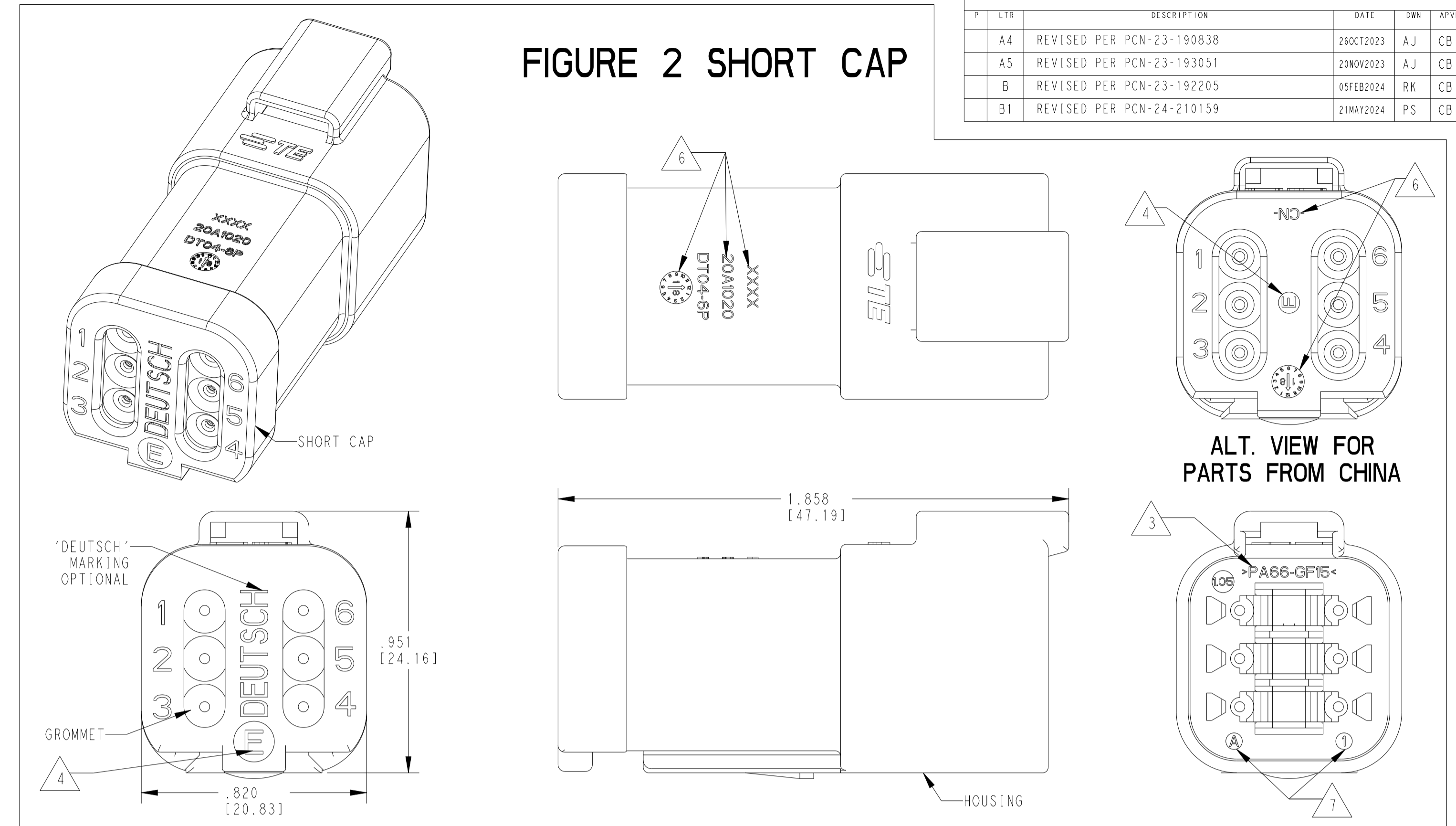
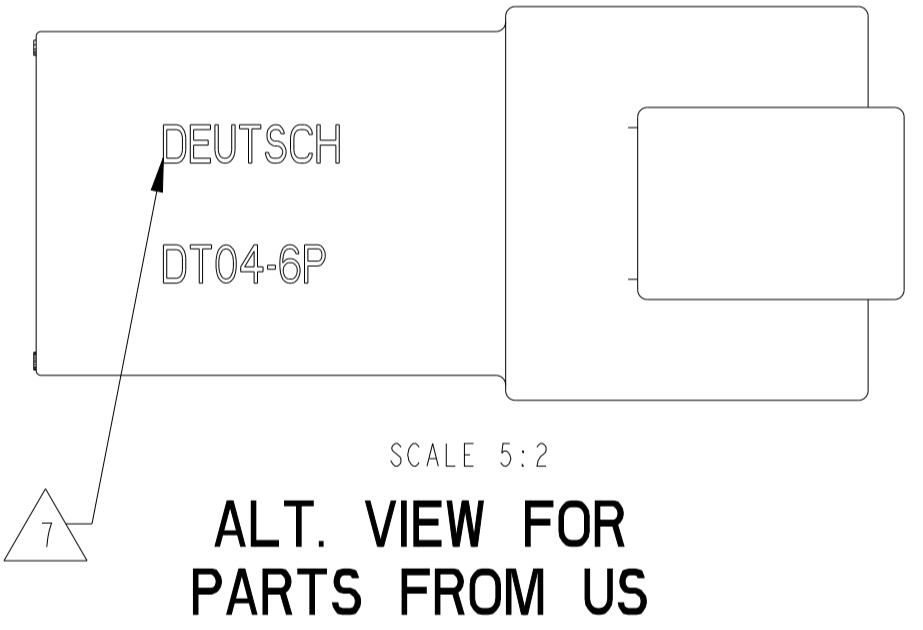
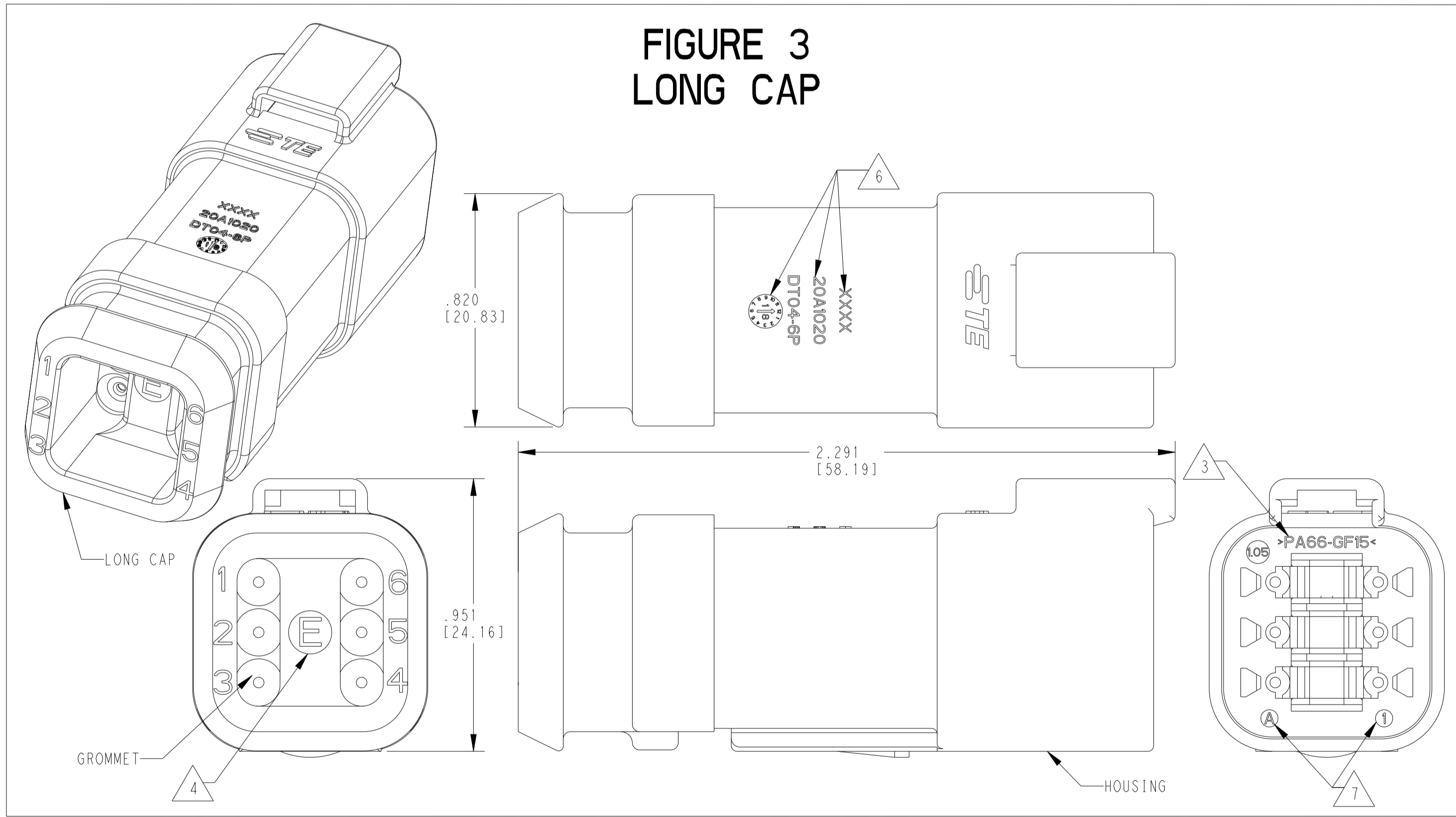


FIGURE 2 SHORT CAP



CONTACT SIZE	WIRE RANGE	INSULATION OD SEALING RANGE	SEAL IDENTIFICATION
16	14-20 AWG [2.5-0.5mm <sup>2</sup> ]	.088-.145 [2.23-3.68] .053-.120 [1.35-3.05]	STANDARD SEAL EXTRA THIN SEAL E-SEAL

FIGURE 3 LONG CAP



TE INTERNAL PART NUMBER	DEUTSCH PART NUMBER	PN REV	HOUSING COLOR	STANDARD SEAL	EXTRA THIN SEAL	E-SEAL	BLOCKED SEAL	SHORT CAP	LONG CAP	FIGURE
DT04-6P	DT04-6P	A	GRAY	X						1
DT04-6P-C015	DT04-6P-C015	B	GRAY		X			X		1
DT04-6P-C017	DT04-6P-C017	B	GRAY				X	X		2
DT04-6P-CE01	DT04-6P-CE01	C	GRAY		X			X		2
DT04-6P-CE02	DT04-6P-CE02	B	BLACK		X			X		1
DT04-6P-CE03	DT04-6P-CE03	B	BLACK		X			X		2
DT04-6P-CE04	DT04-6P-CE04	B	GRAY		X				X	3
DT04-6P-CE09	DT04-6P-CE09	B	BLACK		X				X	3
DT04-6P-CE26	DT04-6P-CE26	A	BLACK				X	X		2
DT04-6P-E003	DT04-6P-E003	B	GRAY	X				X		2
DT04-6P-E004	DT04-6P-E004	A	BLACK	X						1
DT04-6P-E005	DT04-6P-E005	A	BLACK	X				X		2
DT04-6P-E008	DT04-6P-E008	B	GRAY	X					X	3
DT04-6P-EE01	DT04-6P-EE01	A	BLACK	X					X	3
DT04-6P-EP04	DT04-6P-EP04	C	GRAY	X				X		2
DT04-6P-P004	DT04-6P-P004	B	GRAY	X						1
1-2448114-1	DT04-6P-TE09	A	BROWN		X					1
1-2448114-2	DT04-6P-TE03	A	GREEN		X					1
1-2448114-3	DT04-6P-TE07	A	BLUE		X					1
2-2448114-1	DT04-6P-TN09	A	BROWN	X						1
2-2448114-2	DT04-6P-TN03	A	GREEN	X						1
2-2448114-3	DT04-6P-TN07	A	BLUE	X						1
3-2448114-1	DT04-6P-EE18	A	BROWN		X			X		2
3-2448114-2	DT04-6P-EE16	A	GREEN		X			X		2
3-2448114-3	DT04-6P-EE17	A	BLUE		X			X		2
4-2448114-1	DT04-6P-EE14	A	BROWN	X				X		2
4-2448114-2	DT04-6P-EE13	A	GREEN	X				X		2
4-2448114-3	DT04-6P-EE06	A	BLUE	X				X		2

- 4. "E" IDENTIFIES E-SEAL, LOCATED APPROX. AS SHOWN.
  - 3. MATERIAL: HOUSING: PA66 GF15, SEE TABLE FOR COLOR SHORT, LONG CAP: PA66 GF15, BLACK GROMMET: E-SEAL VMO (BURNT RED) N-SEAL VMO (RED-ORANGE) BLOCKED VMO (RED-ORANGE)
  - 2. THIS RECEPTACLE MATES WITH DT06-6S-XXXX PLUG (XXXX = ALL MODIFICATIONS)
  - 1. SECONDARY WEDGE LOCK SOLD SEPARATELY: W6P-XXXX. (XXXX = ALL MODIFICATIONS)
- NOTES: UNLESS OTHERWISE SPECIFIED

- 6. MARKING FOR PARTS PRODUCED IN CHINA:
  - XXXX IDENTIFIES THE MODIFICATION NUMBER, IF APPLICABLE. EXAMPLE: "E003" FOR DT04-6P-E003, OR BLANK FOR DT04-6P
  - DATE CODE: IDENTIFIES THE YEAR, MONTH, DAY AND HOUR OF ASSEMBLY. YEAR: FIRST AND SECOND DIGIT. (17 = 2017) MONTH: THIRD DIGIT, EXCLUDING 1. A = JAN, B = FEB, C = MARCH ... (K = OCTOBER) DAY: FOURTH AND FIFTH DIGITS (14 = 14th DAY) HOUR: SIXTH AND SEVENTH DIGITS (11 = 11AM)
  - DIAL DATE CODE LOCATED ON HOUSING AND/OR CAP. -CN LOCATED ON HOUSING AND/OR CAP.
- 7. MARKING FOR PARTS PRODUCED IN US:
  - DATE CODE: YEAR TO BE LAST NUMERICAL DIGIT, EX: 1 = 2021 MONTH USES SEQUENTIAL ALPHA CHARACTERS, EX: A = JANUARY -DEUTSCH
- 5. FOR CONTACT AND WIRE PERFORMANCE AND APPLICATION CHARACTERISTICS SEE CUSTOMER DRAWING 0425-015-0000.

THIS DRAWING IS A CONTROLLED DOCUMENT.

TE Connectivity

6 WAY RECEPTACLE, STANDARD SEAL EXTRA THIN SEAL, SHORT AND LONG CAP, DT SERIES

4AFU8 DT04-6P-XXXX

SCALE 3:1 SHEET 1 OF 1 REV B1