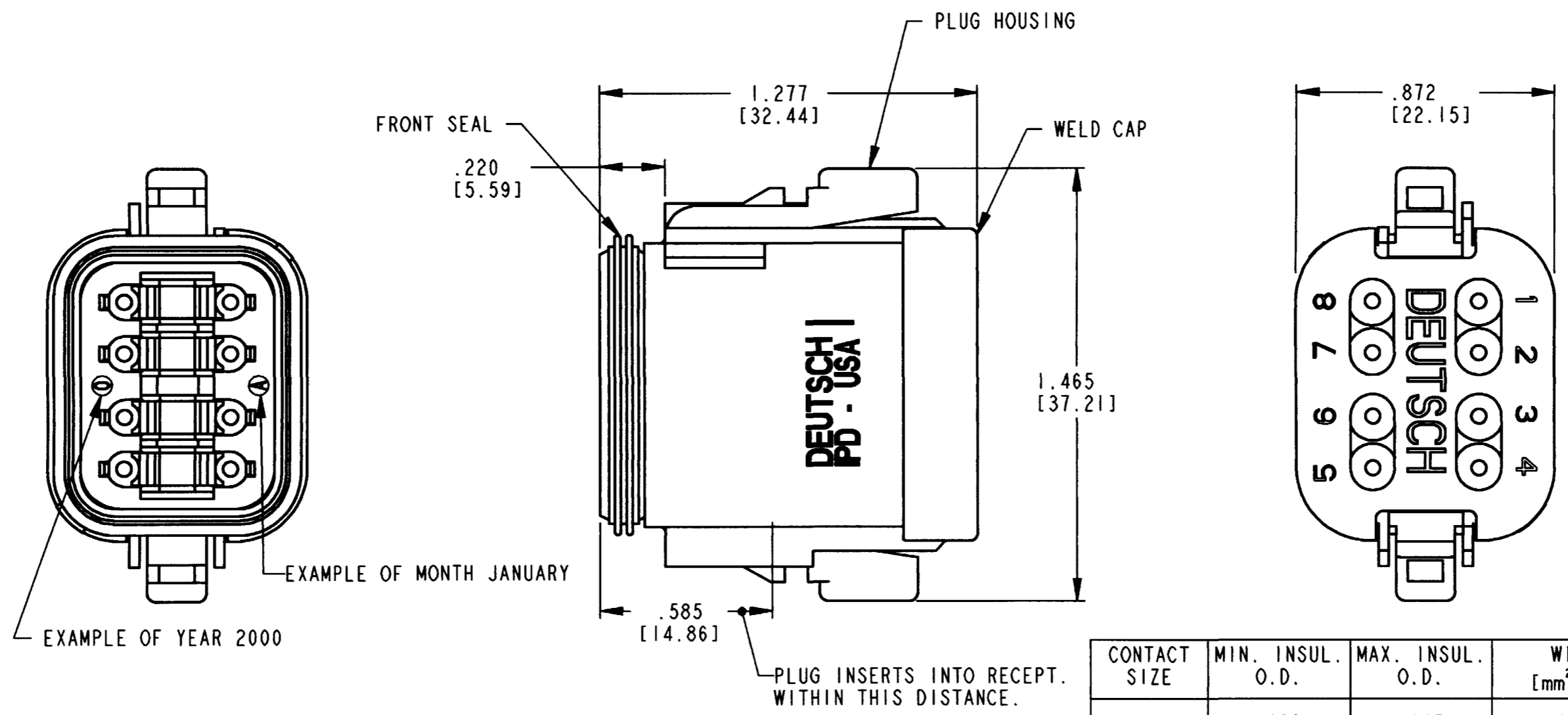


REV <b>B</b>	<b>DT06-08SC-EP06</b>	REVISIONS		
SYM	DESCRIPTION	DATE	APPROVED	
NC	NEW RELEASE PER. E.O. P15118	1-9-97	R.D.R	
A	REVISED PER E.O. P15827	12/31/98	R.D.R.	
B	REVISED PER E.O. P17536	1-9-02	RDR	



CONTACT SIZE	MIN. INSUL. O.D.	MAX. INSUL. O.D.	WIRE RANGE [mm <sup>2</sup> ] REF ONLY <sup>4</sup>
16	.088 [2.24]	.145 [3.68]	14-20 AWG [2.0-0.5]

5. THIS PLUG MATES WITH DT04-08PC-E005, DT13-08PC, DT15-08PC RECEPTACLE.
- <sup>4</sup> FOR CONTACT AND WIRE PERFORMANCE AND APPLICATION CHARACTERISTICS SEE ENVELOPE DRAWING 0425-015-0000 AND 0425-017-0000.
3. W8S-P012 WEDGE LOCK SOLD SEPARATELY.
2. DIMENSION TOLERANCE: ±.025 [0.64].
- NOTES: 1. DIMENSIONS ARE IN INCHES [METRIC].

SIGNATURE & DATE	
DR	H. TRAN AUG-20-96
CHK	<i>[Signature]</i> 1/3/02
PE	<i>[Signature]</i> 1/3/02
APPD	<i>[Signature]</i> 1-3-02
SCALE	WT

**8 WAY PLUG**  
**KEY ARR. -C-**  
**COLOR: GREEN**  
**DT SERIES**

ENVELOPE

CP	MATL. CODE
<b>The Deutsch Company</b> DEUTSCH I.P.D. 3850 INDUSTRIAL AVE. HEMET, CALIF. 92545	
<b>B DT06-08SC-EP06</b>	
DWG. SIZE	CODE 11139 SHEET   OF