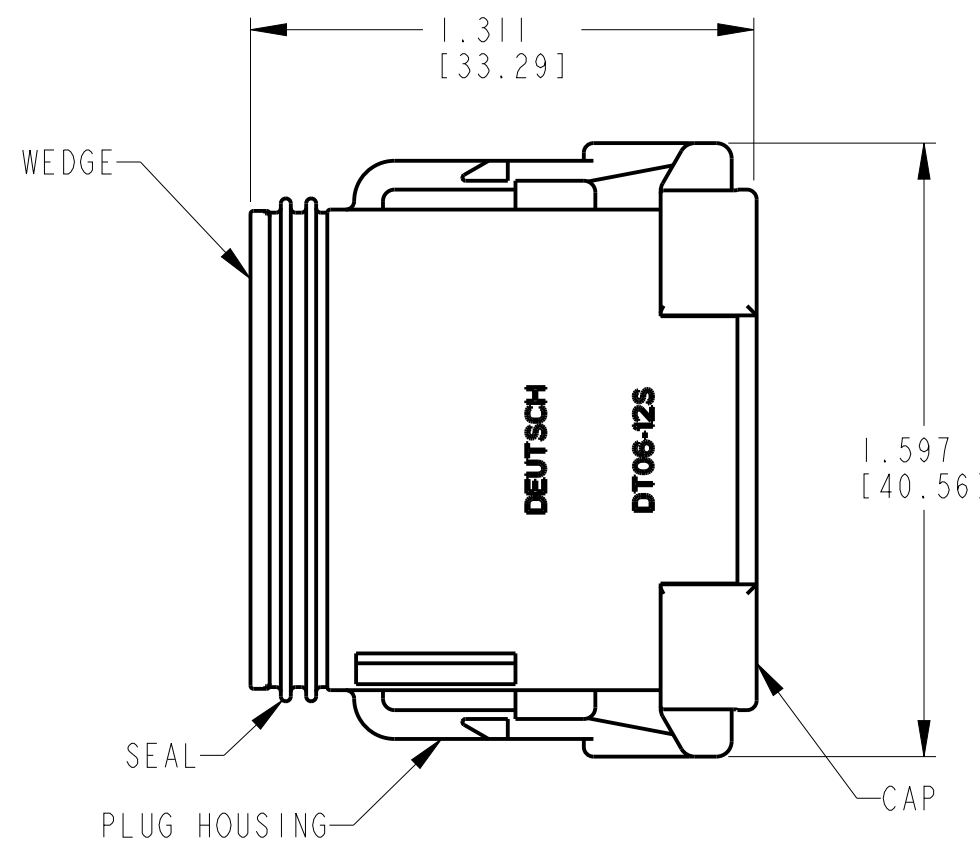
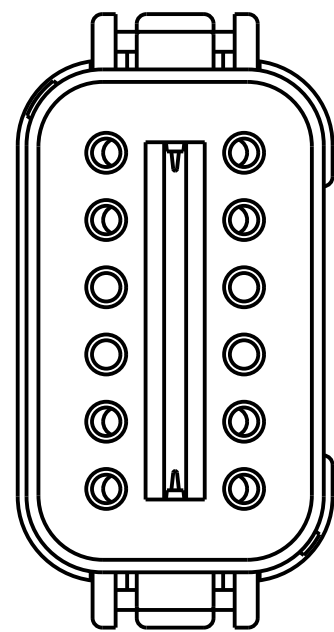
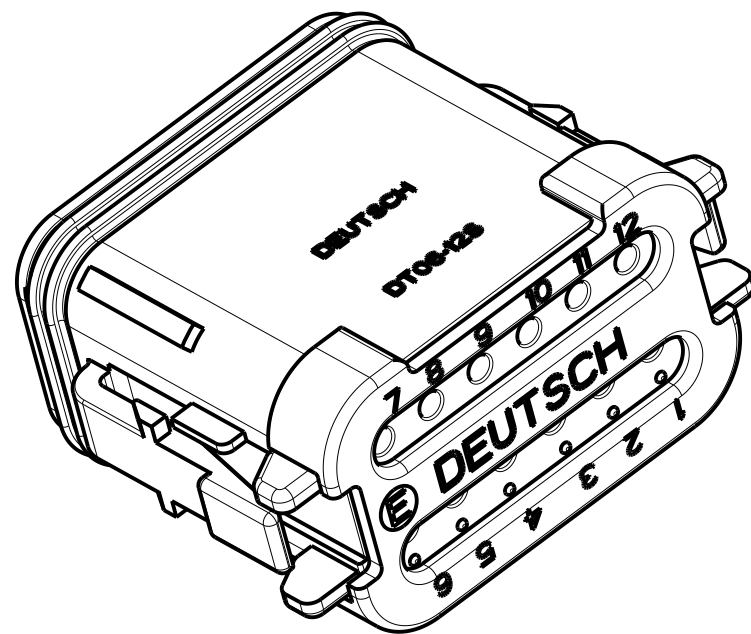
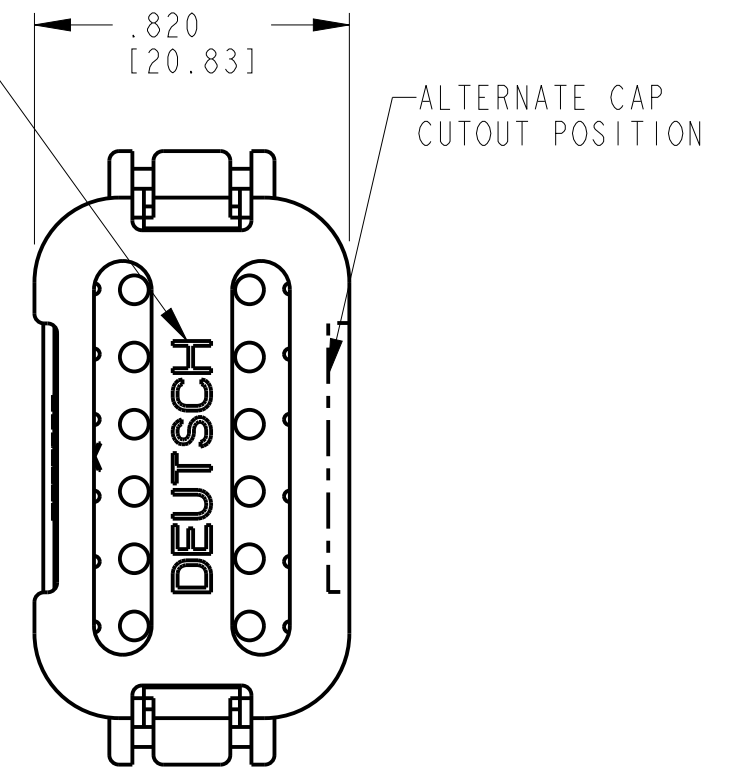


P	LTR	DESCRIPTION	DATE	DWN	APVD
	NC	REDRAWN / REPLACES PREVIOUS	-	-	-
	-	RELEASE PER E.O. PI7688	30APR2002	-	RDR
	A	REVISED PER PCN E-21-003625	05APR2021	MK	IG



TEXT ORIENTATION
OPTIONAL



2 MATERIAL: HOUSING: PA66 GF15
GROMMET: VMQ (RED-ORANGE)
FRONT SEAL: VMQ (RED-ORANGE)
WEDGE LOCK: PBT GF 30 (ORANGE)

1. THIS PLUG MATES DT04-12P*-**** RECEPTACLE.
(* = KEY ARR. A,B,C,D, & **** = ALL MODIFICATIONS).
CONSULT FACTORY FOR MODIFICATIONS.

THIS DRAWING IS A CONTROLLED DOCUMENT.		DWN T. YOHANNES 19MAR2002	TE Connectivity		
DIMENSIONS: IN [mm]		CHK S. BEARD 30APR2002			
TOLERANCES UNLESS OTHERWISE SPECIFIED:		APVD S. BEARD 30APR2002	NAME 12 WAY PLUG WITH BLOCKED GROMMET -C017 MOD. DT SERIES		
0 PLC ±- 1 PLC ±- 2 PLC ±- 3 PLC ±.025[0.63] 4 PLC ±- ANGLES ±-		PRODUCT SPEC 108-151009	RESTRICTED TO		
MATERIAL		APPLICATION SPEC 114-151009	SIZE A3	CAGE CODE 00779	DRAWING NO G=DT06-12SX-C017
FINISH		WEIGHT 18 GR	SCALE 1:1	SHEET 1 OF 2	REV A
2		CUSTOMER DRAWING			

REVISIONS

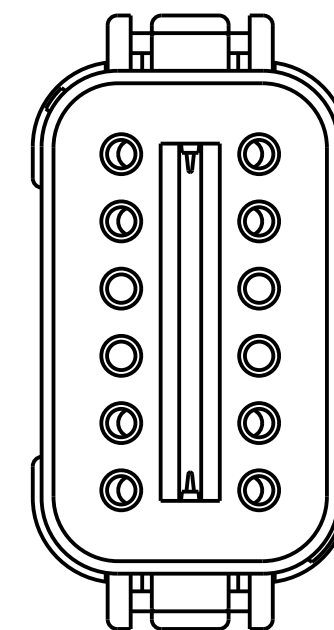
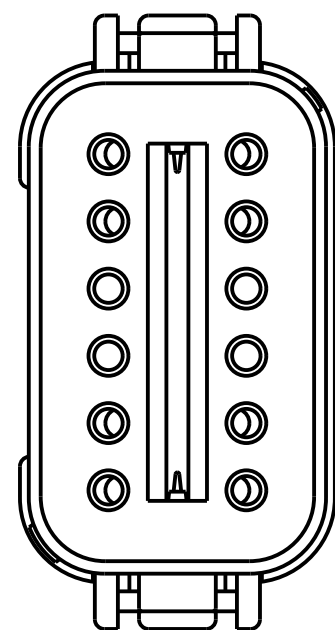
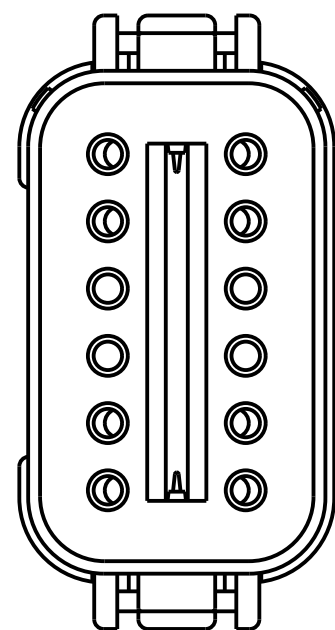
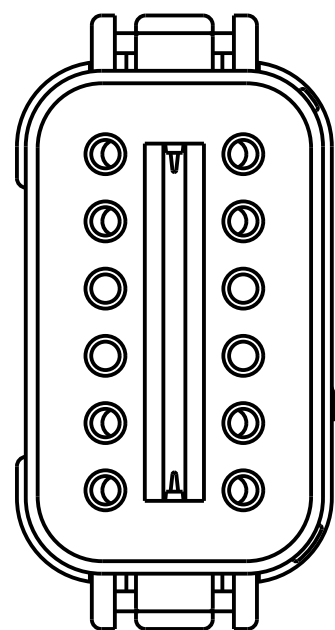
P	LTR	DESCRIPTION	DATE	DWN	APVD
-		SEE SHEET 1	-	-	-

**KEY ARRANGEMENT -A-
DT06-12SA-C017**

**KEY ARRANGEMENT -B-
DT06-12SB-C017**

**KEY ARRANGEMENT -C-
DT06-12SC-C017**

**KEY ARRANGEMENT -D-
DT06-12SD-C017**



ALTERNATE CAP
CUTOUT POSITION
ALL KEYS

KEY ARR.	COLOR	PART NUMBER
A	GRAY	DT06-12SA-C017
B	BLACK	DT06-12SB-C017
C	GREEN	DT06-12SC-C017
D	BROWN	DT06-12SD-C017

THIS DRAWING IS A CONTROLLED DOCUMENT.		DWN T. YOHANNES 19MAR2002		
DIMENSIONS: IN [mm]		CHK S. BEARD 30APR2002		
TOLERANCES UNLESS OTHERWISE SPECIFIED:		APVD S. BEARD 30APR2002	NAME 12 WAY PLUG WITH BLOCKED GROMMET -C017 MOD. DT SERIES	
0 PLC ±-		PRODUCT SPEC 108-151009	RESTRICTED TO	
1 PLC ±-		APPLICATION SPEC 114-151009	SIZE A3	CAGE CODE 00779
2 PLC ±-		WEIGHT 18 GR	DRAWING NO G=DT06-12SX-C017	REV A
3 PLC ±.025[0.63]		CUSTOMER DRAWING	SCALE 1:1	SHEET 2 OF 2
4 PLC ±-				
ANGLES ±-				
MATERIAL	FINISH			