

LOC	DIST	REVISIONS			
P	LTR	DESCRIPTION	DATE	OWN	APVD
C1		REVISED PER PCN-23-187402	19SEP2023	OD	IG
D		REVISED PER PCN-23-192205	06FEB2024	RK	CB
D1		REVISED PER PCN-24-210159	22MAY2024	PS	CB
D2		REVISED PER PCN-24-226098	18NOV2024	PS	CB

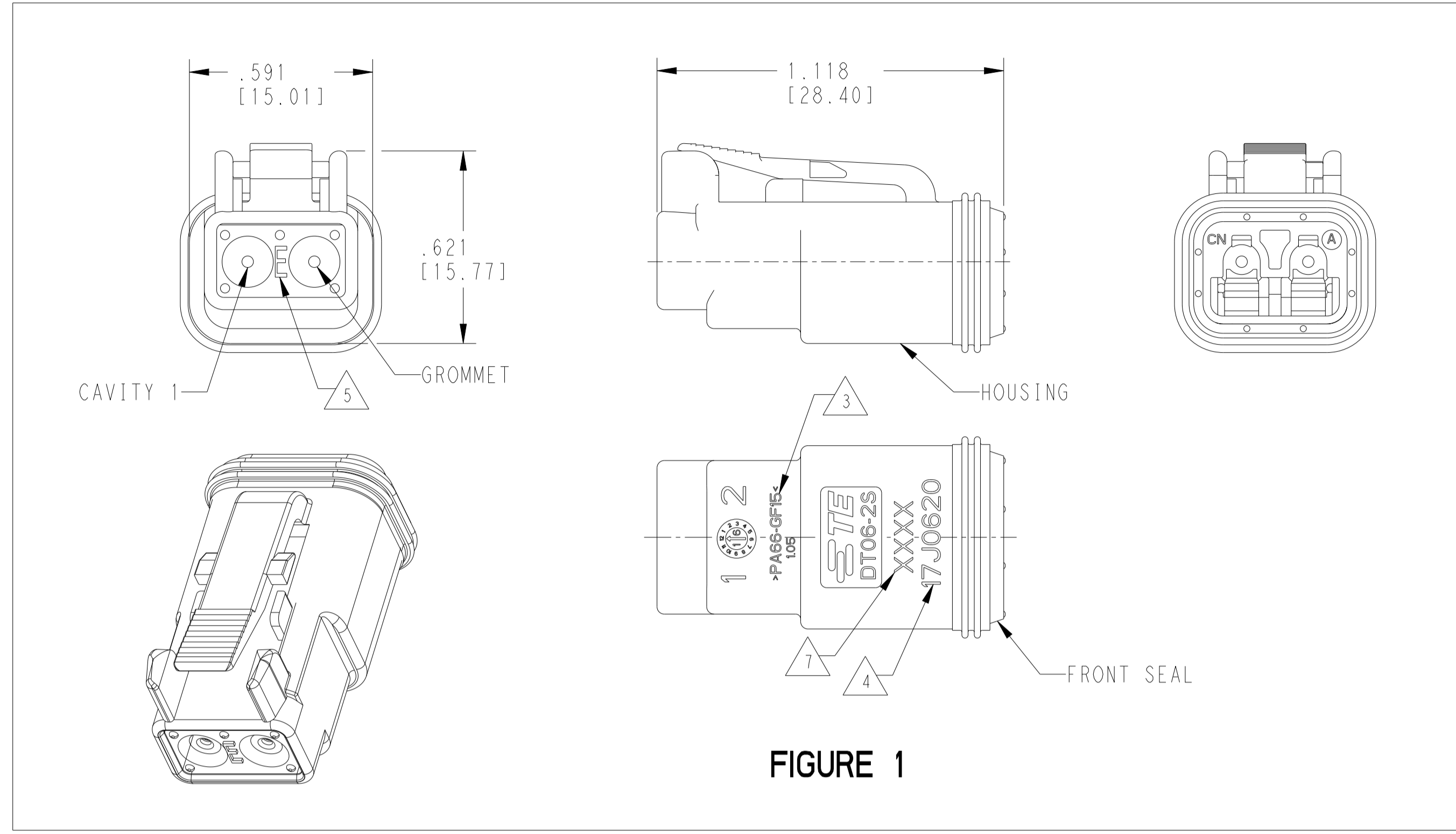


FIGURE 1

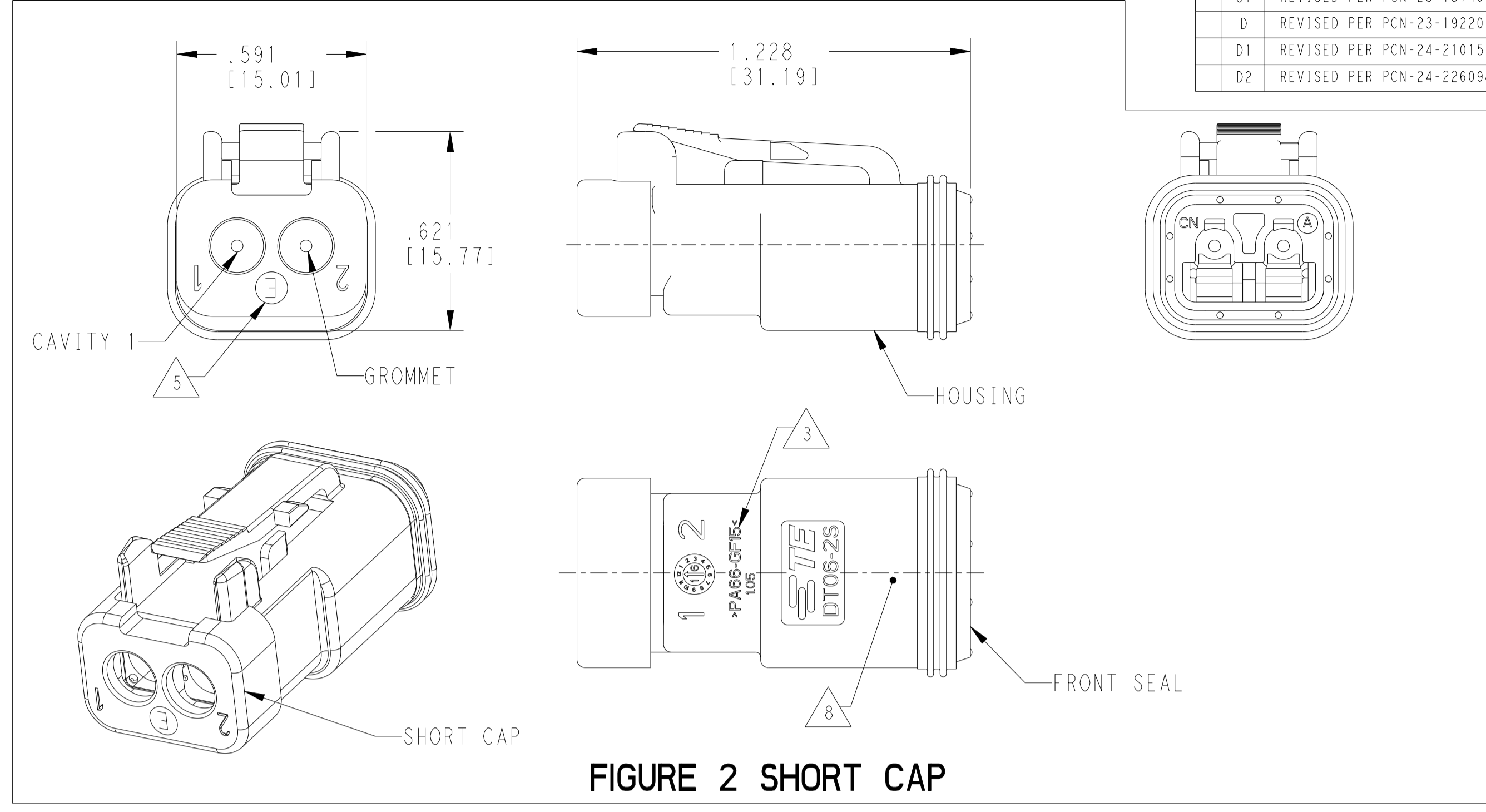


FIGURE 2 SHORT CAP

CONTACT SIZE	WIRE RANGE	INSULATION OD SEALING RANGE	SEAL IDENTIFICATION
16	14-20 AWG [2.5-0.5mm ²]	.088-.145 [2.23-3.68]	STANDARD SEAL
		.053-.120 [1.35-3.05]	EXTRA THIN SEAL E-SEAL

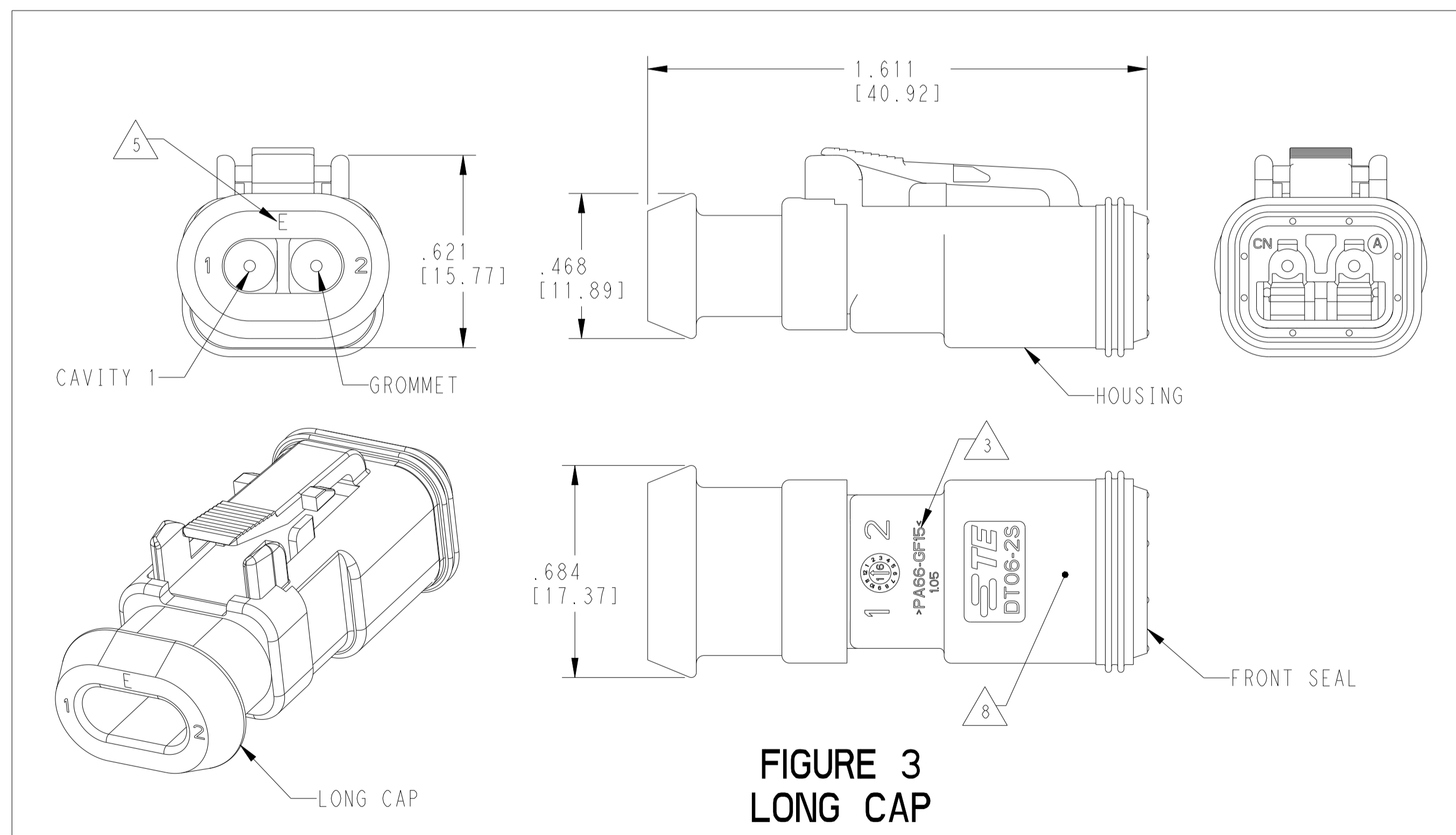


FIGURE 3 LONG CAP

TE INTERNAL PART NUMBER	DEUTSCH PART NUMBER	PN REV	HOUSING COLOR	STANDARD SEAL GROMMET	EXTRA THIN SEAL E-SEAL GROMMET	BLOCKED SEAL	SHORT CAP	LONG CAP	FIGURE
DT06-2S	DT06-2S	A	GREY	X					1
DT06-2S-C015	DT06-2S-C015	F	GREY		X				1
DT06-2S-C017	DT06-2S-C017	B	GREY			X	X		2
DT06-2S-CE01	DT06-2S-CE01	E	GREY		X		X		2
DT06-2S-CE03	DT06-2S-CE03	B	BLACK		X		X		2
DT06-2S-CE04	DT06-2S-CE04	C	GREY		X			X	3
DT06-2S-CE05	DT06-2S-CE05	B	BLACK		X		X		2
DT06-2S-CE06	DT06-2S-CE06	B	BLACK		X				1
DT06-2S-CE13	DT06-2S-CE13	B	BLACK		X			X	3
DT06-2S-E003	DT06-2S-E003	B	GREY	X			X		2
DT06-2S-E004	DT06-2S-E004	A	BLACK	X					1
DT06-2S-E005	DT06-2S-E005	A	BLACK	X			X		2
DT06-2S-E008	DT06-2S-E008	B	GREY	X				X	3
DT06-2S-EP04	DT06-2S-EP04	C	GREY	X			X		2
DT06-2S-EP06	DT06-2S-EP06	B	BLACK	X			X		2
DT06-2S-EP11	DT06-2S-EP11	A	BLACK	X				X	3
DT06-2S-P004	DT06-2S-P004	A	GREY	X					1
DT06-2S-P012	DT06-2S-P012	A	BLACK	X					1
1-2448100-1	DT06-2S-TE09	A	BROWN		X				1
1-2448100-2	DT06-2S-TE03	A	GREEN		X				1
1-2448100-3	DT06-2S-TE07	A	BLUE		X				1
2-2448100-1	DT06-2S-TN09	A	BROWN	X					1
2-2448100-2	DT06-2S-TN03	A	GREEN	X					1
2-2448100-3	DT06-2S-TN07	A	BLUE	X					1
3-2448100-1	DT06-2S-EE18	A	BROWN		X		X		2
3-2448100-2	DT06-2S-EE16	A	GREEN		X		X		2
3-2448100-3	DT06-2S-EE17	A	BLUE		X		X		2
4-2448100-1	DT06-2S-EE14	A	BROWN	X			X		2
4-2448100-2	DT06-2S-EE13	A	GREEN	X			X		2
4-2448100-3	DT06-2S-EE06	A	BLUE	X			X		2

3 MATERIAL: HOUSING: PA66 GF15, SEE TABLE FOR COLOR SHORT, LONG CAP: PA66 GF15, BLACK GROMMET: E-SEAL VMQ (BURNT RED) N-SEAL VMQ (RED-ORANGE) FRONT SEAL: VMQ (RED-ORANGE),

2. THIS PLUG MATES WITH DT04-2P-XXXX RECEPTACLE. (XXXX = ALL MODIFICATIONS)

1. SECONDARY WEDGE LOCK SOLD SEPARATELY: W2SX-XXXX. (X = A,B,C,D KEY, XXXX = ALL MODIFICATIONS) W2S OR W2S-P012 MAY BE USED WITH THESE PLUGS, W2S-P012 IS RECOMMENDED.

NOTES: UNLESS OTHERWISE SPECIFIED

7 XXXX IDENTIFIES THE MODIFICATION NUMBER, IF APPLICABLE. EXAMPLE: "E003" FOR DT06-2S-E003, OR BLANK FOR DT06-2S.

6. FOR CONTACTS AND WIRE PERFORMANCE AND APPLICATION CHARACTERISTICS SEE CUSTOMER DRAWING 0425-015-0000.

5 "E" IDENTIFIES E-SEAL.

4 DATE CODE: IDENTIFIES THE YEAR, MONTH, DAY AND HOUR OF ASSEMBLY. YEAR: FIRST AND SECOND DIGITS. (17 = 2017) MONTH: THIRD DIGIT, EXCLUDING 1. A = JAN, B = FEB, C = MARCH ... (K = OCTOBER) DAY: FOURTH AND FIFTH DIGITS (14 = 14th DAY) HOUR: SIXTH AND SEVENTH DIGITS (11 = 11AM)

10 CONNECTORS WITH A BLOCKED SEAL INCLUDE THE W2S-P012 WEDGE INSTALLED AS PART OF THE PLUG ASSEMBLY.

9 ALTERNATE CONSTRUCTION EXCLUSIVELY FOR PARTS PRODUCED IN CHINA.

8 ADDITIONAL MARKING PER NOTE 4 AND 7 EXCLUSIVELY FOR PARTS WITH CAPS PRODUCED IN CHINA.

THIS DRAWING IS A CONTROLLED DOCUMENT. DIMENSIONS: in. [mm]. TOLERANCES UNLESS OTHERWISE SPECIFIED: 0 PLC #, 1 PLC #, 2 PLC #, 3 PLC #, 4 PLC #, ANGLES #, FINISH #.

OWN: JAIME C. APOSTOL, CHG: D. MEYER, APVD: D. MEYER, DATE: 24OCT2016. NAME: 2 WAY PLUG, STANDARD SEAL EXTRA THIN SEAL SHORT CAP AND LONG CAP, DT SERIES. SIZE: A1, CAGE CODE: 108-151009, DRAWING NO: 114-151009, RESTRICTED TO: CUSTOMER DRAWING, SCALE: 3:1, SHEET: 1 OF 1, REV: D2.

STE TE Connectivity