

REVISONS		DATE	OWN	APVD
C1	REVISED PER PCN-23-187402	19SEP2023	OD	IG
D	REVISED PER PCN-23-192205	06FEB2024	RK	CB
D1	REVISED PER PCN-24-210159	22MAY2024	PS	CB
D2	REVISED PER PCN-24-218808	26AUG2024	AJ	CB

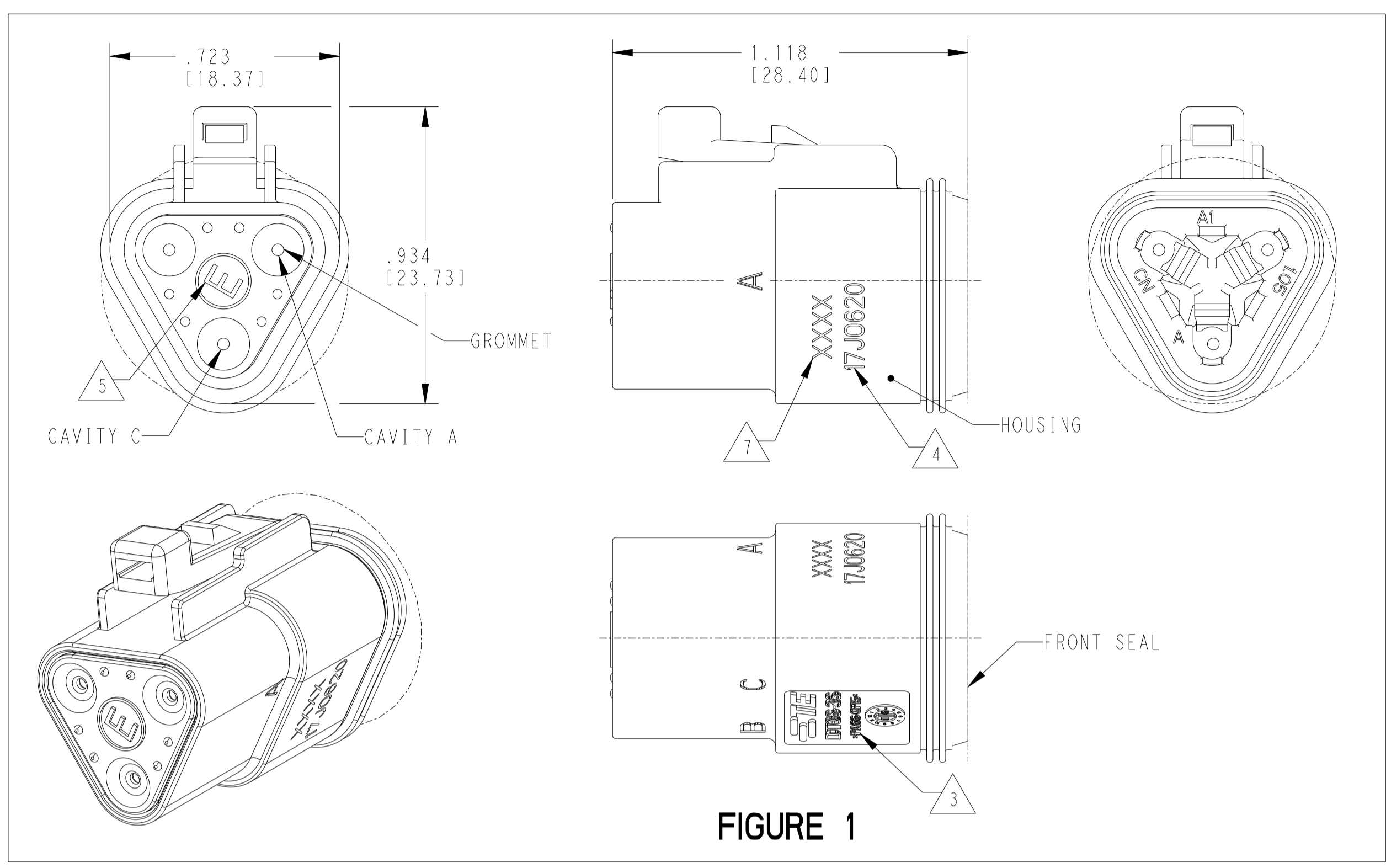


FIGURE 1

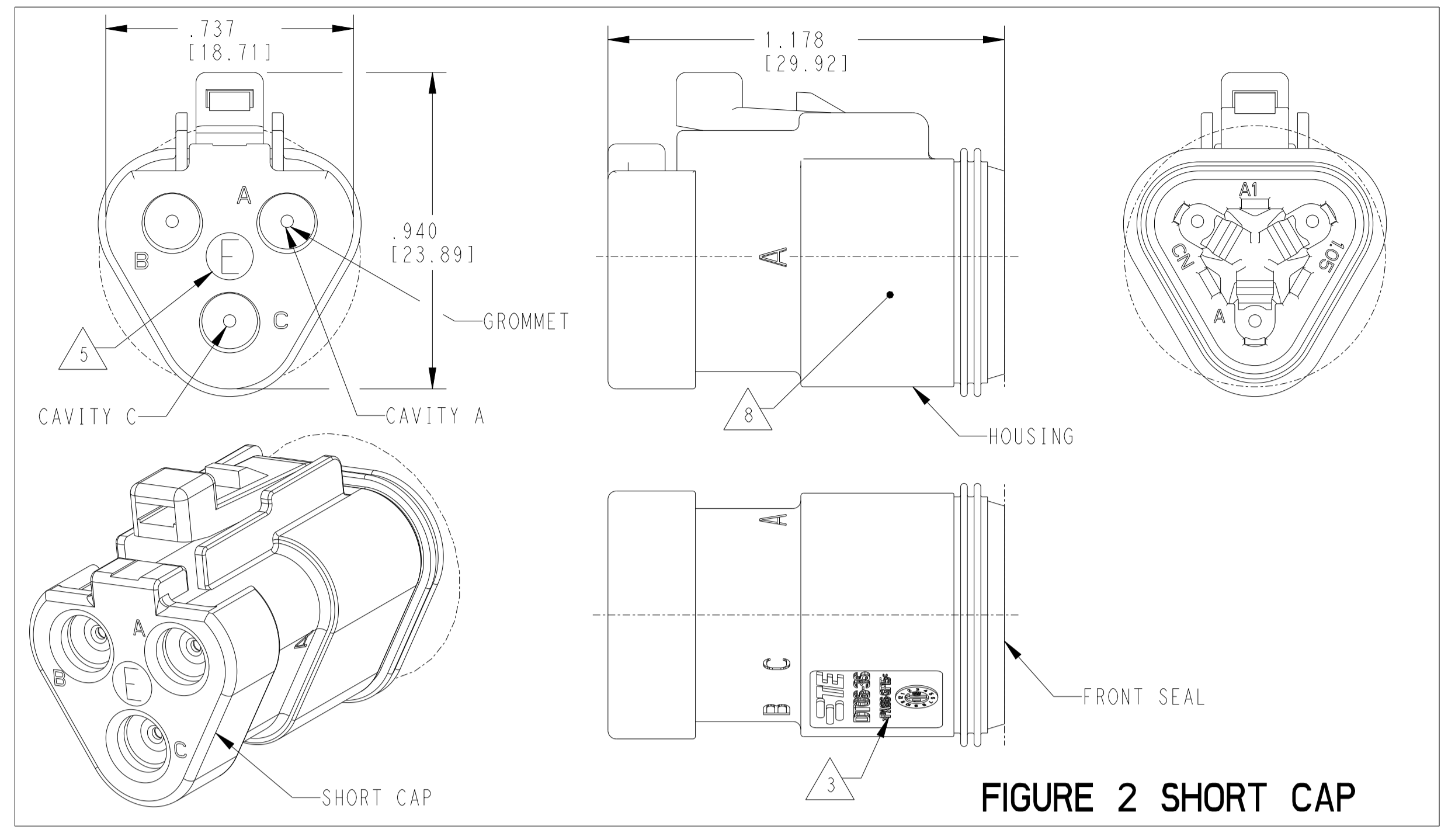


FIGURE 2 SHORT CAP

CONTACT SIZE	WIRE RANGE	INSULATION OD SEALING RANGE	SEAL IDENTIFICATION
16	14-20 AWG [2.5-0.5mm <sup>2</sup> ]	.088-.145 [2.23-3.68]	STANDARD SEAL
		.053-.120 [1.35-3.05]	EXTRA THIN SEAL E-SEAL

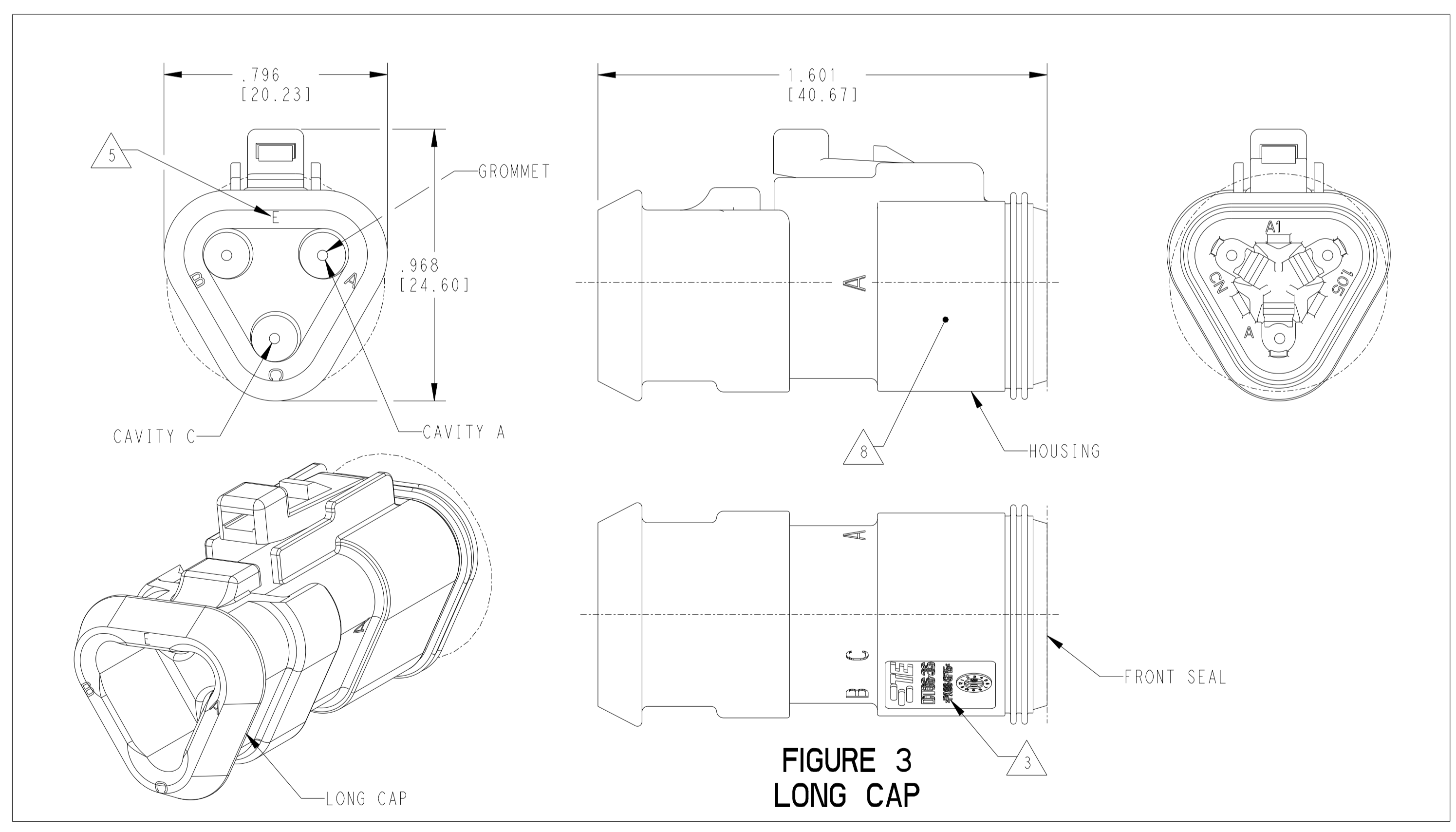


FIGURE 3 LONG CAP

TE INTERNAL PART NUMBER	DEUTSCH PART NUMBER	PN REV	HOUSING COLOR	STANDARD SEAL GROMMET	EXTRA THIN SEAL E-SEAL GROMMET	BLOCKED SEAL	SHORT CAP	LONG CAP	FIGURE
DT06-3S	DT06-3S	A	GREY	X					1
DT06-3S-C015	DT06-3S-C015	B	GREY		X				1
DT06-3S-C017	DT06-3S-C017	B	GREY			X	X		2
DT06-3S-CE01	DT06-3S-CE01	D	GREY		X		X		2
DT06-3S-CE02	DT06-3S-CE02	B	BLACK		X				1
DT06-3S-CE04	DT06-3S-CE04	C	GREY		X			X	3
DT06-3S-CE05	DT06-3S-CE05	B	BLACK		X		X		2
DT06-3S-CE06	DT06-3S-CE06	B	BLACK		X				1
DT06-3S-CE13	DT06-3S-CE13	B	BLACK		X			X	3
DT06-3S-CP01	DT06-3S-CP01	A	BLACK			X	X		2
DT06-3S-E003	DT06-3S-E003	B	GREY	X			X		2
DT06-3S-E004	DT06-3S-E004	A	BLACK	X					1
DT06-3S-E005	DT06-3S-E005	A	BLACK	X			X		2
DT06-3S-E008	DT06-3S-E008	C	GREY	X				X	3
DT06-3S-EP04	DT06-3S-EP04	C	GREY	X			X		2
DT06-3S-EP06	DT06-3S-EP06	B	BLACK	X			X		2
DT06-3S-EP11	DT06-3S-EP11	B	BLACK	X				X	3
DT06-3S-P004	DT06-3S-P004	B	GREY	X					1
DT06-3S-P012	DT06-3S-P012	A	BLACK	X					1
1-2448102-1	DT06-3S-TE09	A	BROWN		X				1
1-2448102-2	DT06-3S-TE03	A	GREEN		X				1
1-2448102-3	DT06-3S-TE07	A	BLUE		X				1
2-2448102-1	DT06-3S-TN09	A	BROWN	X					1
2-2448102-2	DT06-3S-TN03	A	GREEN	X					1
2-2448102-3	DT06-3S-TN07	A	BLUE	X					1
3-2448102-1	DT06-3S-EE18	A	BROWN		X		X		2
3-2448102-2	DT06-3S-EE16	A	GREEN		X		X		2
3-2448102-3	DT06-3S-EE17	A	BLUE		X		X		2
4-2448102-1	DT06-3S-EE14	A	BROWN	X			X		2
4-2448102-2	DT06-3S-EE13	A	GREEN	X			X		2
4-2448102-3	DT06-3S-EE06	A	BLUE	X			X		2

- 3 MATERIAL: HOUSING: PA66 GF15, SEE TABLE FOR COLOR  
 SHORT, LONG CAP: PA66 GF15, BLACK  
 GROMMET: E-SEAL VMO (BURNT RED)  
 N-SEAL VMO (RED-ORANGE)  
 FRONT SEAL: VMO (RED-ORANGE)
- 2. THIS PLUG MATES WITH DT04-3P-XXXX PLUG.  
 (XXXX = ALL MODIFICATIONS)
- 1. SECONDARY WEDGE LOCK SOLD SEPARATELY: W3S-XXXX.  
 (XXXX = ALL MODIFICATIONS)  
 W3S OR W3S-P012 MAY BE USED WITH THESE PLUGS,  
 W3S-P012 IS RECOMMENDED.

- 7 XXXX IDENTIFIES THE MODIFICATION NUMBER, IF APPLICABLE.  
 EXAMPLE: "E003" FOR DT06-3S-E003,  
 OR BLANK FOR DT06-3S.
- 6. FOR CONTACTS AND WIRE PERFORMANCE AND APPLICATION  
 CHARACTERISTICS SEE CUSTOMER DRAWING 0425-015-0000.
- 5 "E" IDENTIFIES E-SEAL.
- 4 DATE CODE: IDENTIFIES THE YEAR, MONTH, DAY AND HOUR OF ASSEMBLY.  
 YEAR: FIRST AND SECOND DIGITS. (17 = 2017)  
 MONTH: THIRD DIGIT, EXCLUDING 1. A = JAN, B = FEB,  
 C = MARCH ... (K = OCTOBER)  
 DAY: FOURTH AND FIFTH DIGITS (14 = 14th DAY)  
 HOUR: SIXTH AND SEVENTH DIGITS (11 = 11AM)

8 ADDITIONAL MARKING PER NOTE 4 AND 7 EXCLUSIVELY  
 FOR PARTS WITH CAPS PRODUCED IN CHINA.

THIS DRAWING IS A CONTROLLED DOCUMENT. OWN: J. JAIME C. APOSTOL, DATE: 07NOV2016, CHK: R. MESSENGER, DATE: 07NOV2016, APVD: D. MEYER, DATE: 07NOV2016

TE Connectivity

3 WAY PLUG, STANDARD SEAL  
 EXTRA THIN SEAL, SHORT CAP AND  
 LONG CAP, DT SERIES

SIZE: A1, CAGE CODE: 114-151009, DRAWING NO: 108-151009, APPLICATION SPEC: 114-151009, WEIGHT: 0.114g, RESTRICTED TO: 4AFU8, CUSTOMER DRAWING: DT06-3S-XXXX, SCALE: 3:1, SHEET: 1 OF 1, REV: D2