

FIGURE 1

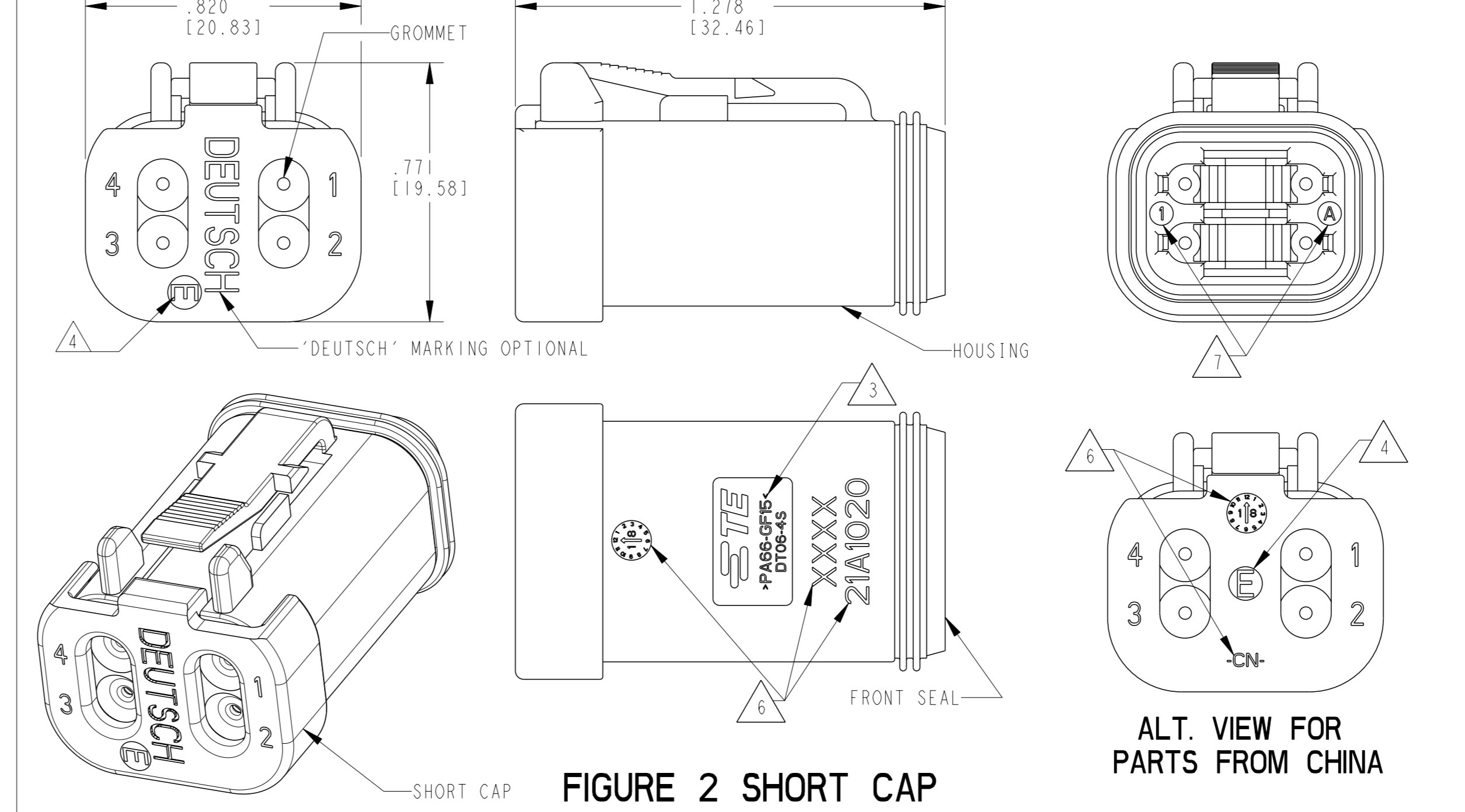


FIGURE 2 SHORT CAP

REVISIONS				
REV	DATE	DESCRIPTION	BY	APPV
A1	23MAR2022	RELEASE PER PCN E-21-003453	RLM	IG
A2	19SEP2023	REVISED PER PCN-23-187402	OD	IG
B	06FEB2024	REVISED PER PCN-23-192205	RK	CB
B1	22MAY2024	REVISED PER PCN-24-210159	PS	CB

CONTACT SIZE	WIRE RANGE	INSULATION OD SEALING RANGE	SEAL IDENTIFICATION
16	14-20 AWG [2.5-0.5mm <sup>2</sup> ]	.088 - .145 [2.23-3.68]	STANDARD SEAL
		.053 - .120 [1.35-3.05]	EXTRA THIN SEAL E-SEAL

Printed on 10 Jun 2024 10:57 (Eastern Standard Time) from TEE34946

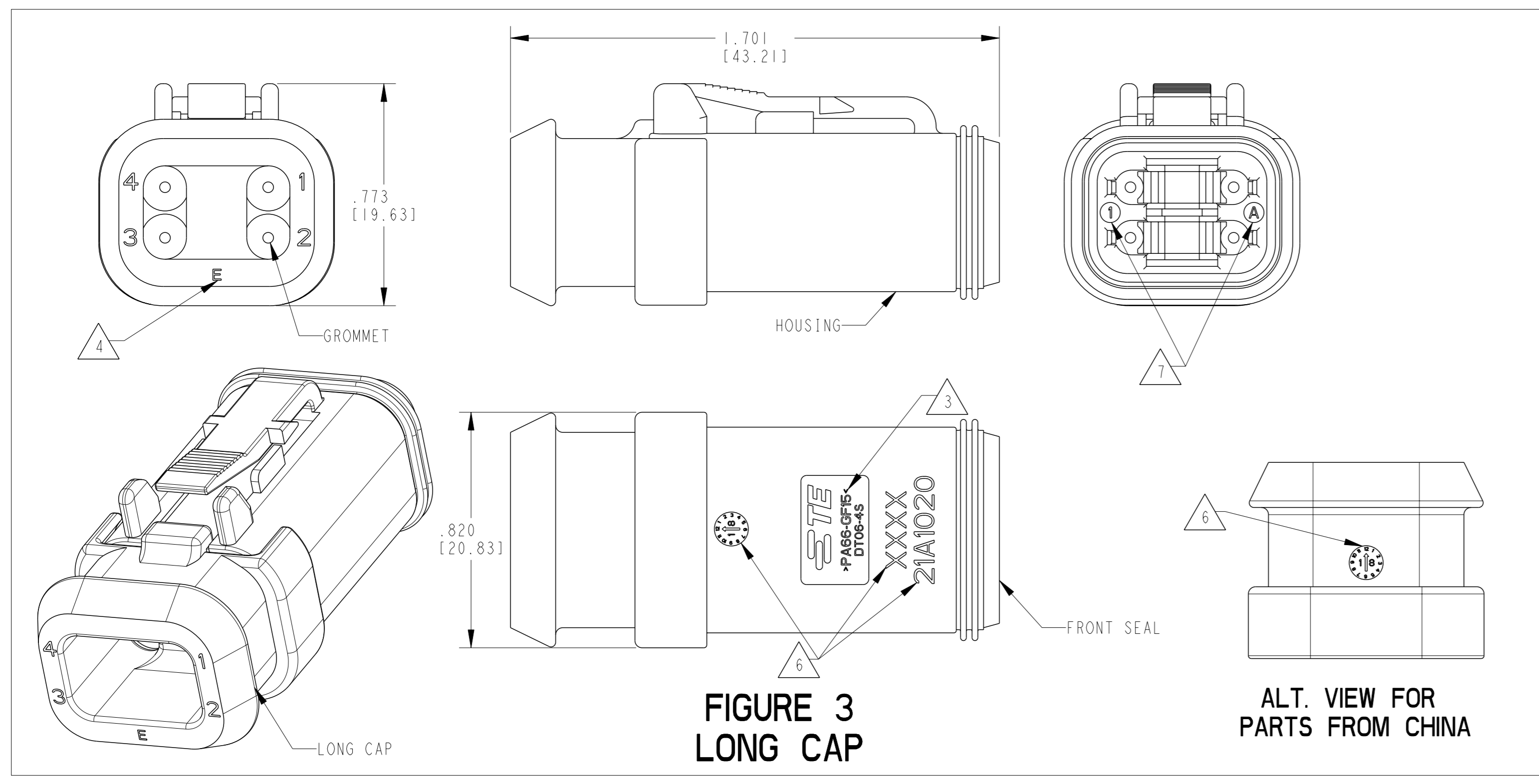


FIGURE 3 LONG CAP

ALT. VIEW FOR PARTS FROM CHINA

TE INTERNAL PART NUMBER	DEUTSCH PART NUMBER	PN REV	HOUSING COLOR	STANDARD SEAL GROMMET	EXTRA THIN SEAL E-SEAL GROMMET	BLOCKED SEAL	SHORT CAP	LONG CAP	FIGURE
DT06-4S	DT06-4S	A	GRAY	X					1
DT06-4S-C015	DT06-4S-C015	B	GRAY		X				1
DT06-4S-C017	DT06-4S-C017	B	GRAY			X	X		2
DT06-4S-CE01	DT06-4S-CE01	C	GRAY		X		X		2
DT06-4S-CE02	DT06-4S-CE02	B	BLACK		X				1
DT06-4S-CE03	DT06-4S-CE03	A	BLACK		X		X		2
DT06-4S-CE04	DT06-4S-CE04	C	GRAY		X			X	3
DT06-4S-CE05	DT06-4S-CE05	B	BLACK		X		X		2
DT06-4S-CE06	DT06-4S-CE06	B	BLACK		X				1
DT06-4S-CE13	DT06-4S-CE13	B	BLACK		X			X	3
DT06-4S-CP01	DT06-4S-CP01	A	BLACK			X	X		2
DT06-4S-E003	DT06-4S-E003	B	GRAY	X			X		2
DT06-4S-E004	DT06-4S-E004	A	BLACK	X					1
DT06-4S-E005	DT06-4S-E005	A	BLACK	X			X		2
DT06-4S-E008	DT06-4S-E008	B	GRAY	X				X	3
DT06-4S-EP04	DT06-4S-EP04	C	GRAY	X			X		2
DT06-4S-EP06	DT06-4S-EP06	B	BLACK	X			X		2
DT06-4S-EP11	DT06-4S-EP11	B	BLACK	X				X	3
DT06-4S-P004	DT06-4S-P004	B	GRAY	X					1
DT06-4S-P012	DT06-4S-P012	A	BLACK	X					1
1-2448104-1	DT06-4S-TE09	A	BROWN		X				1
1-2448104-2	DT06-4S-TE03	A	GREEN		X				1
1-2448104-3	DT06-4S-TE07	A	BLUE		X				1
2-2448104-1	DT06-4S-TN09	A	BROWN	X					1
2-2448104-2	DT06-4S-TN03	A	GREEN	X					1
2-2448104-3	DT06-4S-TN07	A	BLUE	X					1
3-2448104-1	DT06-4S-EE18	A	BROWN		X		X		2
3-2448104-2	DT06-4S-EE16	A	GREEN		X		X		2
3-2448104-3	DT06-4S-EE17	A	BLUE		X		X		2
4-2448104-1	DT06-4S-EE14	A	BROWN	X			X		2
4-2448104-2	DT06-4S-EE13	A	GREEN	X			X		2
4-2448104-3	DT06-4S-EE06	A	BLUE	X			X		2

- 4 "E" IDENTIFIES E-SEAL, LOCATED APPROX. AS SHOWN.
- 3 MATERIAL: HOUSING: PA66 GF15, SEE TABLE FOR COLOR SHORT, LONG CAP: PA66 GF15, BLACK GROMMET: E-SEAL VMO (BURNT RED) N-SEAL VMO (RED-ORANGE) BLOCKED VMO (RED-ORANGE) FRONT SEAL: VMO (RED-ORANGE).

- 6 MARKING FOR PARTS PRODUCED IN CHINA:
  - XXXX IDENTIFIES THE MODIFICATION NUMBER, IF APPLICABLE. EXAMPLE: "E003" FOR DT06-4S-E003, OR BLANK FOR DT06-4S.
  - DATE CODE: IDENTIFIES THE YEAR, MONTH, DAY AND HOUR OF ASSEMBLY. YEAR: FIRST AND SECOND DIGITS. (17 = 2017) MONTH: THIRD DIGIT, EXCLUDING 1. A = JAN, B = FEB, C = MARCH ... (K = OCTOBER) DAY: FOURTH AND FIFTH DIGITS (14 = 14th DAY) HOUR: SIXTH AND SEVENTH DIGITS (11 = 11AM)

- 7 MARKING FOR PARTS PRODUCED IN US:
  - DATE CODE: YEAR TO BE LAST NUMERICAL DIGIT, EX: 1=2021 MONTH USES SEQUENTIAL ALPHA CHARACTERS, EX: A=JANUARY

- 2. THIS PLUG MATES WITH DT04-4P-XXXX RECEPTACLE. (XXXX = ALL MODIFICATIONS)
  - 1. SECONDARY WEDGE LOCK SOLD SEPARATELY: W4SX-XXXX. (X = A, B, C, D KEY, XXXX = ALL MODIFICATIONS) W4S OR W4S-P012 MAY BE USED WITH THESE PLUGS, W4S-P012 IS RECOMMENDED.
- NOTES: UNLESS OTHERWISE SPECIFIED

THIS DRAWING IS A CONTROLLED DOCUMENT.

APPROVED: R. MESSENGER 28 JUN 2021  
 CHK: I. GRANTCHAROVA 12 JUL 2021  
 PRODUCT SPEC  
 APPLICATION SPEC  
 108-151009  
 114-151009

**TE** TE Connectivity

NAME: 4 WAY PLUG, STANDARD SEAL EXTRA THIN SEAL, SHORT AND LONG CAP DT SERIES

SIZE: 4AFU8 C=DT06-4S-XXXX

CUSTOMER DRAWING SCALE: 3:1 SHEET 1 OF 2 REV B1

REVISIONS				
P	LY#	DESCRIPTION	DATE	OWN
-	-	SEE SHEET 1	-	-

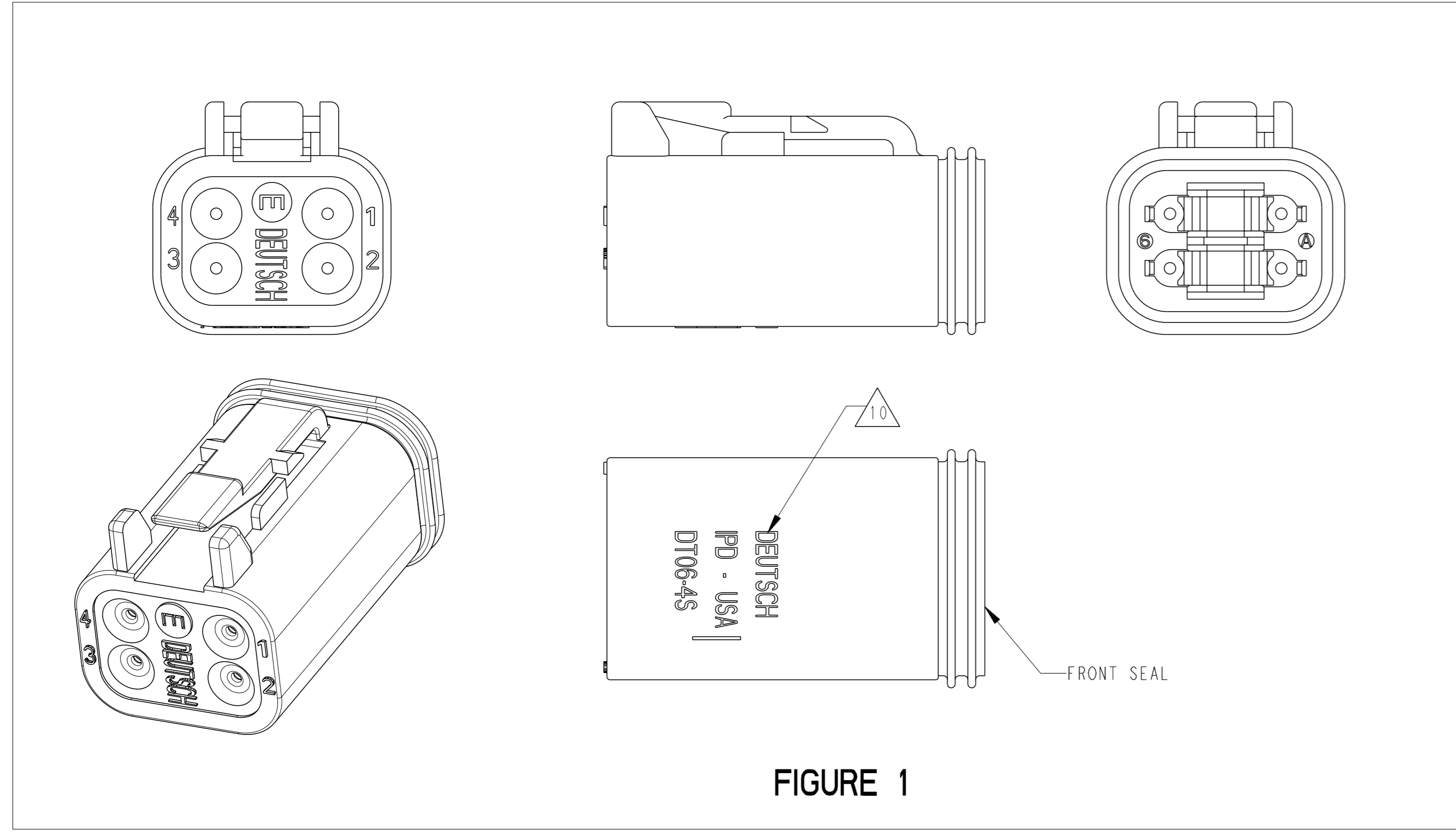


FIGURE 1

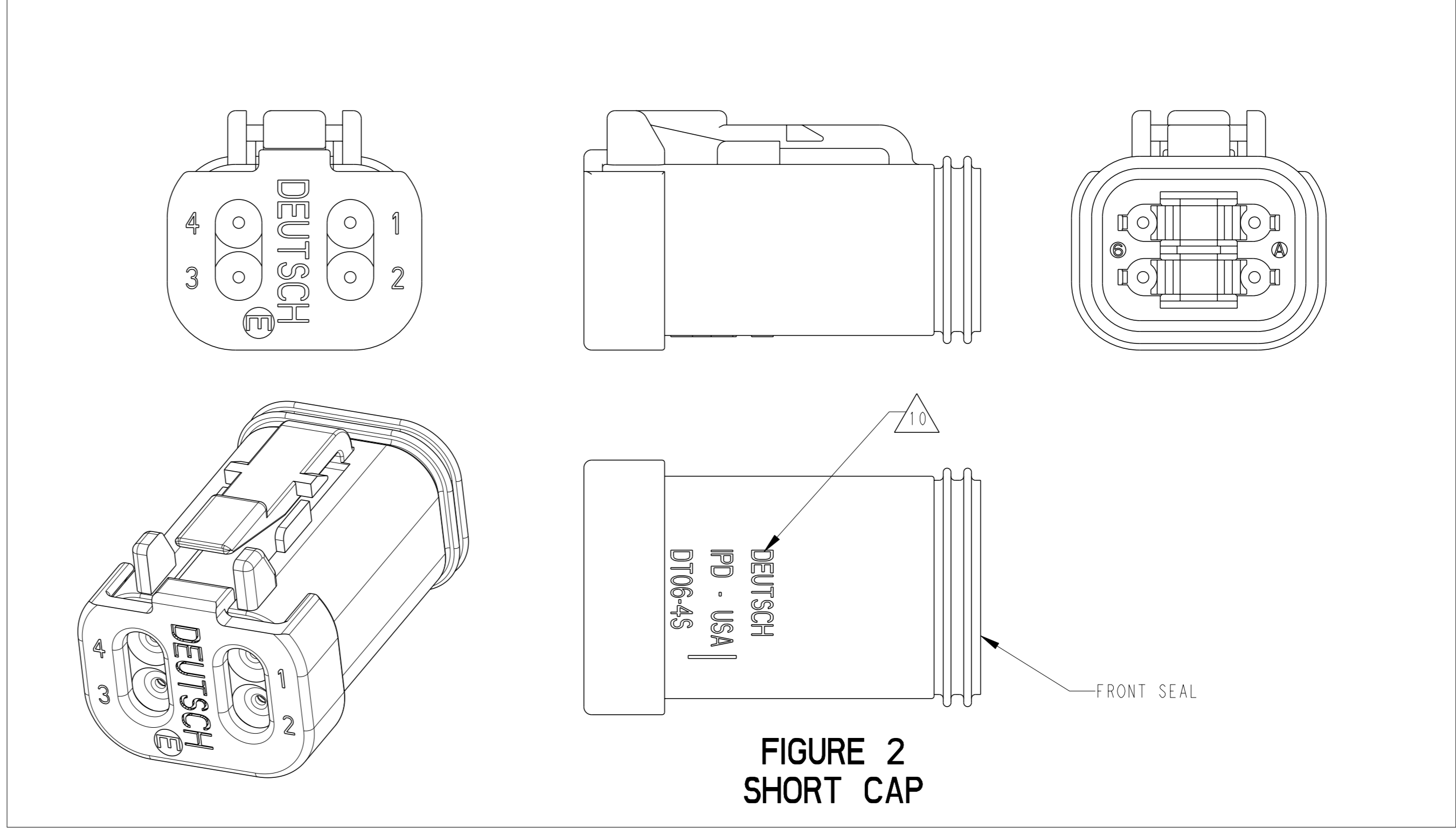


FIGURE 2  
SHORT CAP

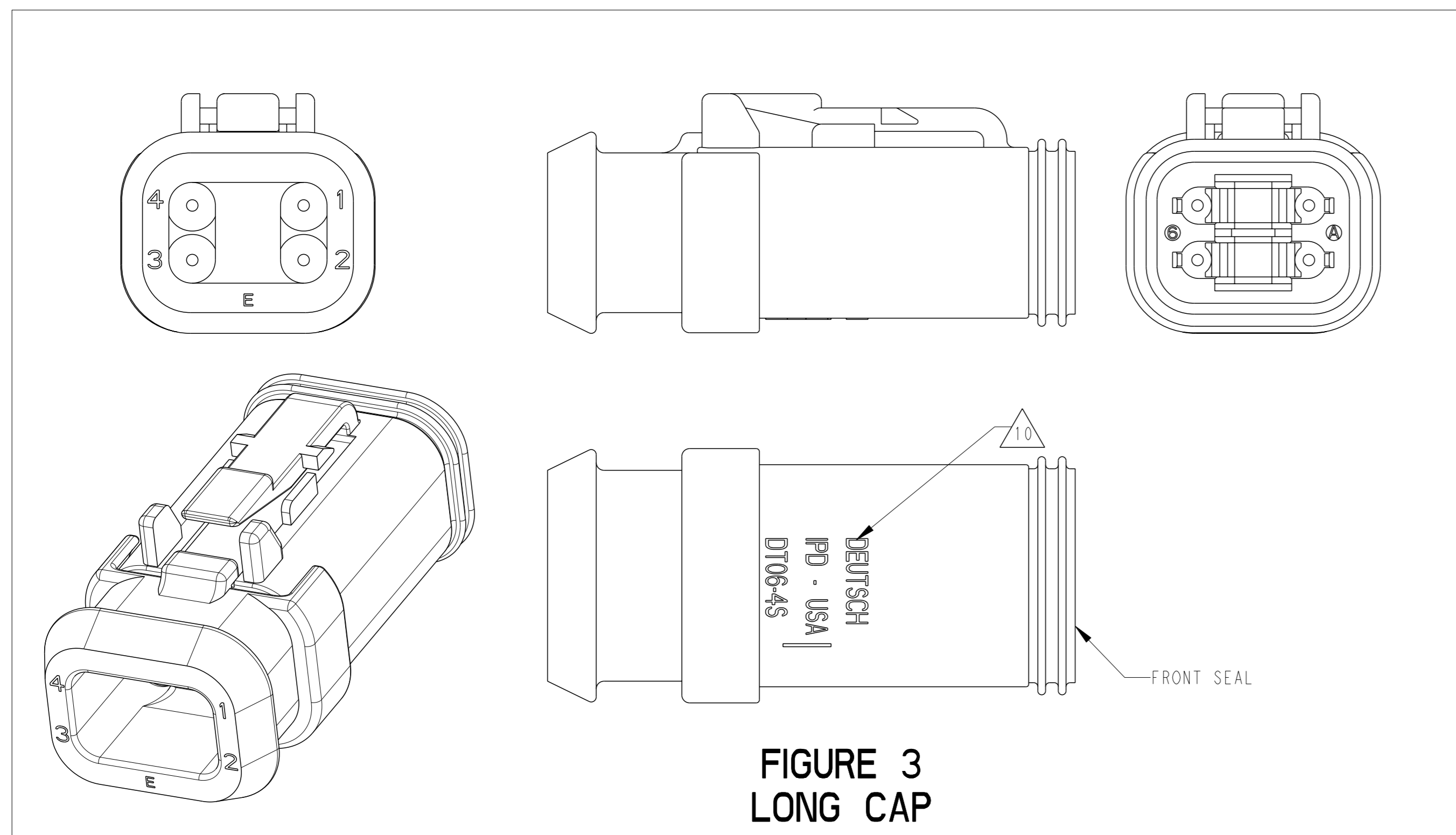


FIGURE 3  
LONG CAP

AFFECTED PART NUMBERS	PN REV	COLOR	STANDARD SEAL GROMMET	EXTRA THIN SEAL E-SEAL GROMMET	BLOCKED SEAL	SHORT CAP	LONG CAP	FIGURE
DT06-4S	-	GRAY	X					1
DT06-4S-C015	A	GRAY		X				1
DT06-4S-C017	-	GRAY			X	X		2
DT06-4S-CE01	A	GRAY		X		X		2
DT06-4S-CE02	A	BLACK		X				1
DT06-4S-CE03	-	BLACK		X		X		2
DT06-4S-CE04	A	GRAY		X			X	3
DT06-4S-E003	-	GRAY	X			X		2
DT06-4S-E004	-	BLACK	X					1
DT06-4S-E005	-	BLACK	X			X		2
DT06-4S-E008	-	GRAY	X				X	3
DT06-4S-EP04	A	GRAY	X			X		2
DT06-4S-P004	A	GRAY	X					1

- 10 PARTS IN THE STANDARD TYPE CONFIGURATION WILL HAVE 'DEUTSCH' ID TEXT ON THE HOUSINGS.
- 9. SECONDARY WEDGE LOCK SOLD SEPARATELY: W4S OR W4SX (X = A,B,C,D KEY). W4S OR W4SX MUST BE USED WITH THE STANDARD TYPE PLUGS.
- 8 THE AFFECTED PARTS NUMBERS LISTED ARE CHANGING FROM STANDARD TYPE SEAL (SHEET 2) TO RETENTION TYPE SEAL (SHEET 1). PARTS WILL BE SUPPLIED FROM THE NORTH AMERICA REGION IN THE STANDARD TYPE CONFIGURATION UNTIL THE STANDARD TYPE TOOLING REACHES ITS END OF LIFE. PARTS PRODUCED IN CHINA WILL BE RETENTION TYPE ONLY.

THIS DRAWING IS A CONTROLLED DOCUMENT.

DIMENSIONS: IN (mm)	TOLERANCES UNLESS OTHERWISE SPECIFIED: 0 PLC ± 1 PLC ± 2 PLC ± 3 PLC ±0.25 (0.64) 4 PLC ± ANGLES ±0°30'00"	OWN: R. MESSENGER CHK: I. GRANTCHAROVA APVD: I. GRANTCHAROVA PRODUCT SPEC: 108-151009 APPLICATION SPEC: 114-151009	DATE: 28 JUN 2021 DATE: 12 JUL 2021 DATE: 2 JUL 2021
------------------------	--	--	--

**TE** TE Connectivity  
 NAME: 8DWG\_TITLE, 8DWG\_TITLE\_2, DT SERIES  
 SIZE: A | CAGE CODE: 4AFU8 | DRAWING NO: DT06-4S-XXXX  
 RESTRICTED TO: B |  
 CUSTOMER DRAWING | SCALE: 3:1 | SHEET: 2 OF 2 | REV: B |