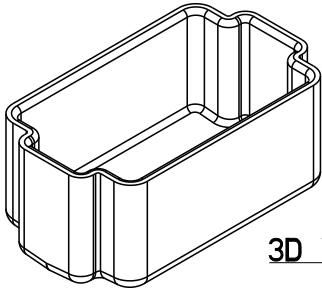
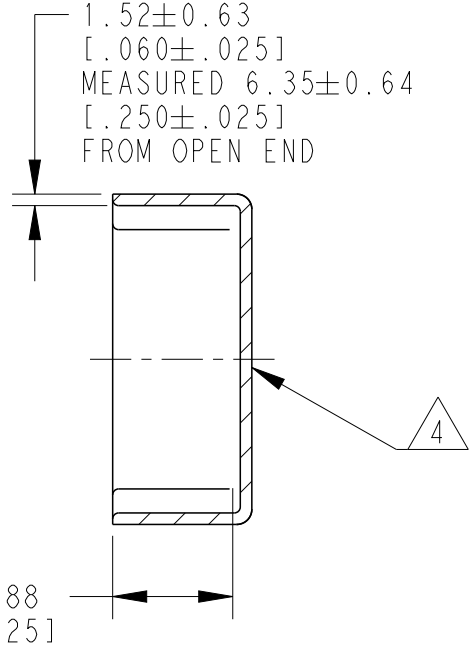
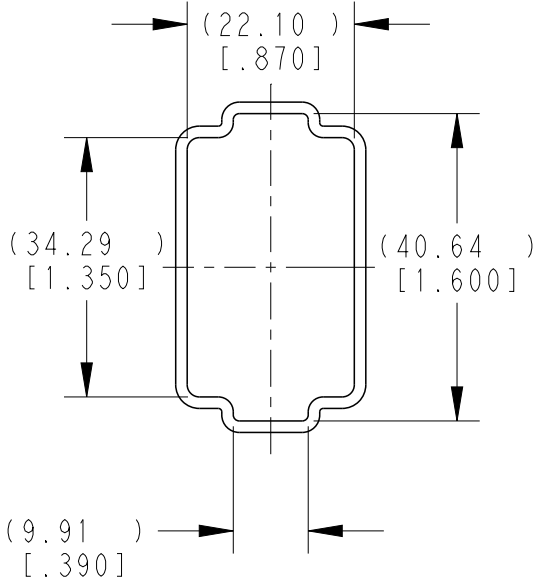


REVISIONS					
P	LTR	DESCRIPTION	DATE	DWN	APVD
	A	NEW RELEASE PER ECO-14-008764	27JUN2014	DM	DM
	A1	REVISED PER ECR-18-006853	03MAY2018	JA	DM
	A2	REVISED PER PCN E-20-5815	21APR2020	AP	IG



3D VIEW



5. SMALL NON-FILLS ARE ACCEPTABLE INSIDE OF PART, INCLUDING SUPPLIER MARKING.

4. SMALL MATERIAL EXTENSION IS ACCEPTABLE ON THIS END ALL AROUND. WALL THICKNESS ON THIS END MAY VARY.

3. THIS ACCESSORY PART IS PROVIDED WITHOUT TYPICAL TRANSPORTATION INDUSTRY PROCESS CONTROLS. NO VALIDATION TESTING HAS BEEN PERFORMED. CUSTOMER IS RESPONSIBLE FOR DETERMINING PRODUCT PERFORMANCE AND SUITABILITY FOR APPLICATION.

2. TEMPERATURE RATING: -29°C TO +100°C [-20°F TO +212°F]

1. THIS PART IS USED ON DT04-12PX (X=A,B,C,D KEYS) RECEPTACLES WITH ANY MODIFICATION.

NOTES:

TE INTERNAL PN	DEUTSCH PN
DT12P-DC	DT12P-DC

DIMENSIONS: MM[INCH]	DWN D. MEYER	27JUN2014	MATERIAL	PVC	FINISH	GRAY
	CHK R. MESSENGER	27JUN2014	TE Connectivity			
TOLERANCES UNLESS OTHERWISE SPECIFIED:	APVD D. MEYER	27JUN2014				
0 PLC ±	PRODUCT SPEC		SIZE	A 4	CAGE CODE	00779
1 PLC ±	APPLICATION SPEC		DRAWING NO	C=DT12P-DC		RESTRICTED TO
2 PLC ±0.63[.025]			WEIGHT	6.00 g		-
3 PLC ±			CUSTOMER DRAWING			
4 PLC ±			SCALE	1:1		SHEET 1 OF 1
ANGLES ±5°						REV A2

2020

RELEASED FOR PUBLICATION

THIS DRAWING IS UNPUBLISHED.

TE Connectivity. All Rights Reserved. © COPYRIGHT 2020