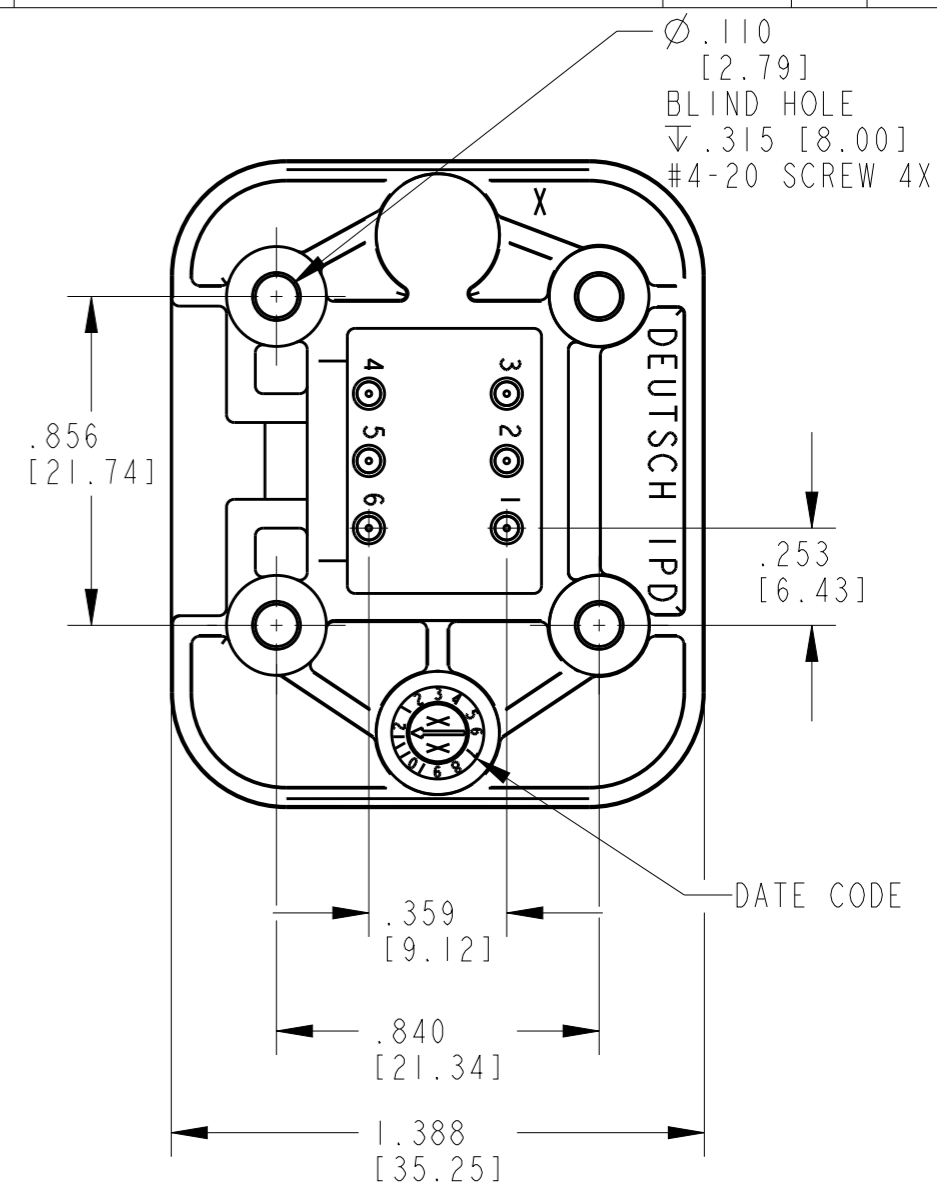
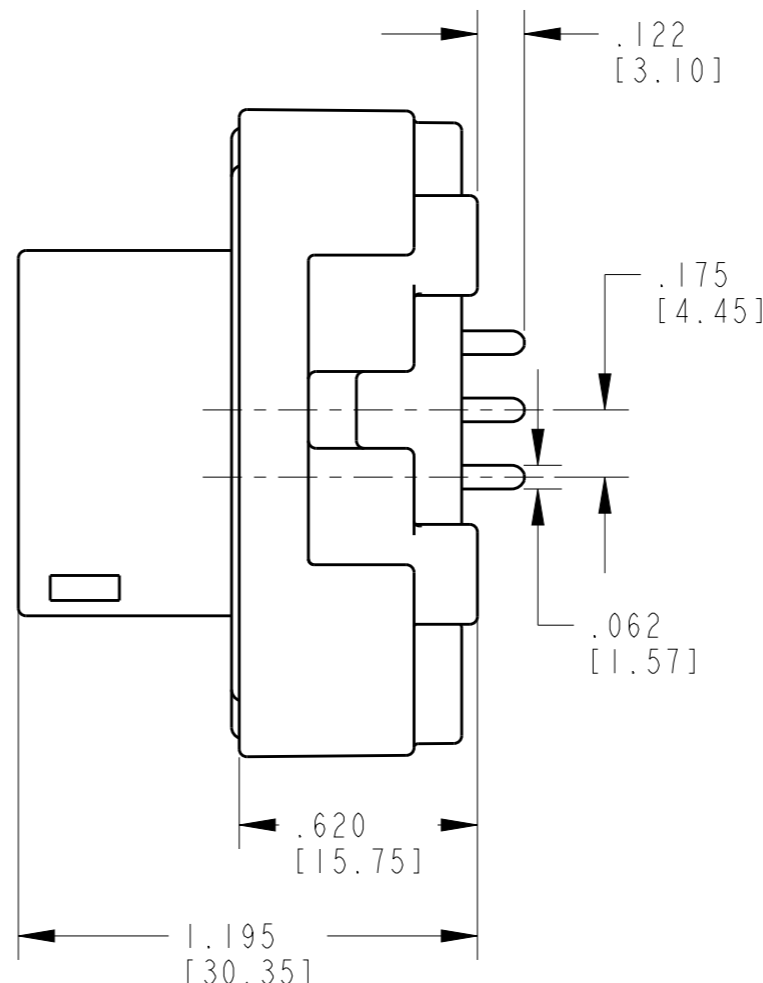
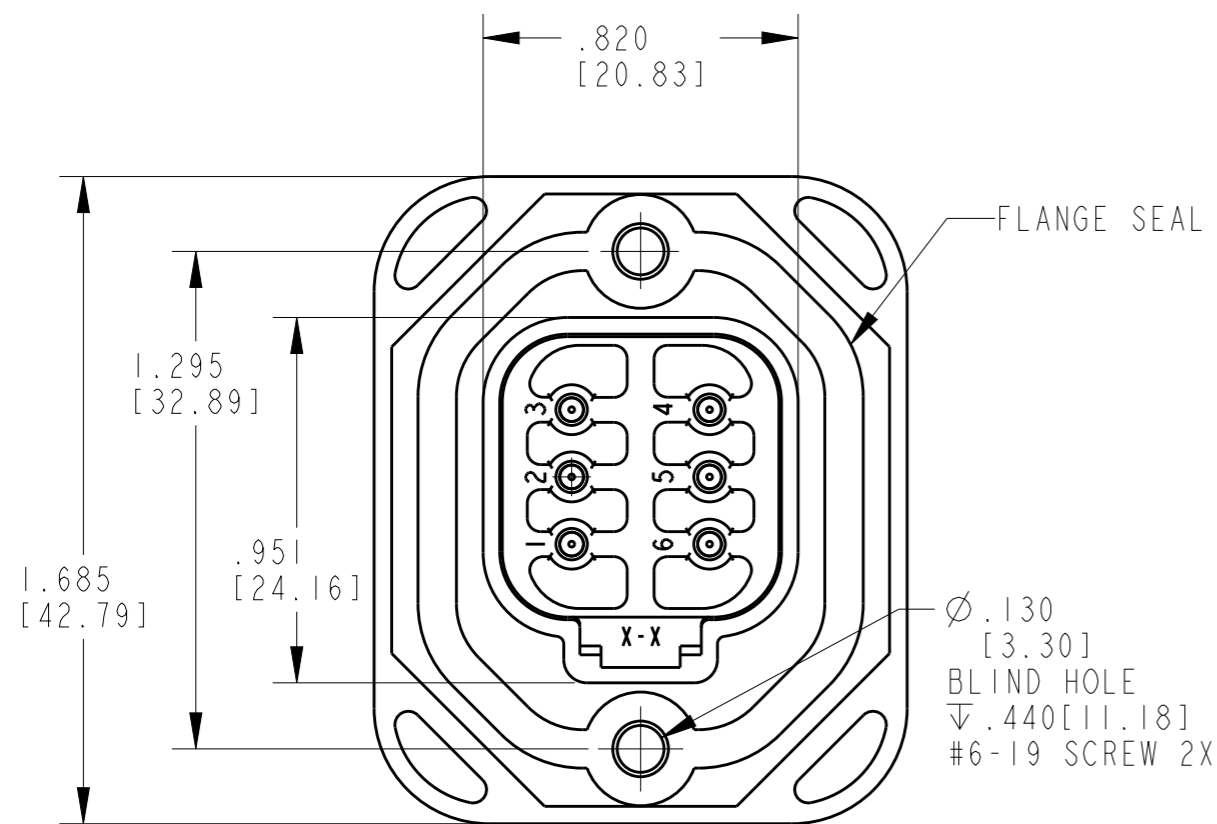


THIS DRAWING IS UNPUBLISHED
RELEASED FOR PUBLICATION
2015
COPYRIGHT 2015 BY TE CONNECTIVITY ALL RIGHTS RESERVED.

LOC	DIST	REVISIONS			
P	LTR	DESCRIPTION	DATE	DWN	APVD
-	-	B	REVISED PER E.O. PI8200	16JAN2003	- RDR
-	-	C	REVISED PER E.O. PI9401	20NOV2006	- RDR
-	-	CI	REVISED PER ECO-15-005844	16APR2015	PV DM
-	-	D	REVISED PER PCN E-19-016091	25SEP2019	PK DM



7 MINIMUM RECOMMENDED HOLE SIZE. CUSTOMER TO DETERMINE FINISHED HOLE SIZE BASED ON SOLDER PROCESS.

6. MOUNTING SCREW TORQUE VALUES ARE AS FOLLOWS:
#6-19 SCREWS: 13±2.0 IN-LB [1.47±.23 N-M].
#4-20 SCREWS: 8±2.0 IN-LB [.90±.23 N-M].
VALUES VALID FOR PLASTITE 48 SCREWS ONLY.

5. RECOMMENDED MOUNTING SCREWS (NOT INCLUDED): CAMCAR PLASTITE 48, SINGLE HELIX

4. THIS RECEPTACLE MATES WITH DT06-6S-XXXX PLUG (XXXX = ALL MODIFICATIONS.)

3. CONTACT PLATING- MATING SIDE: NICKEL; PCB SIDE: TIN

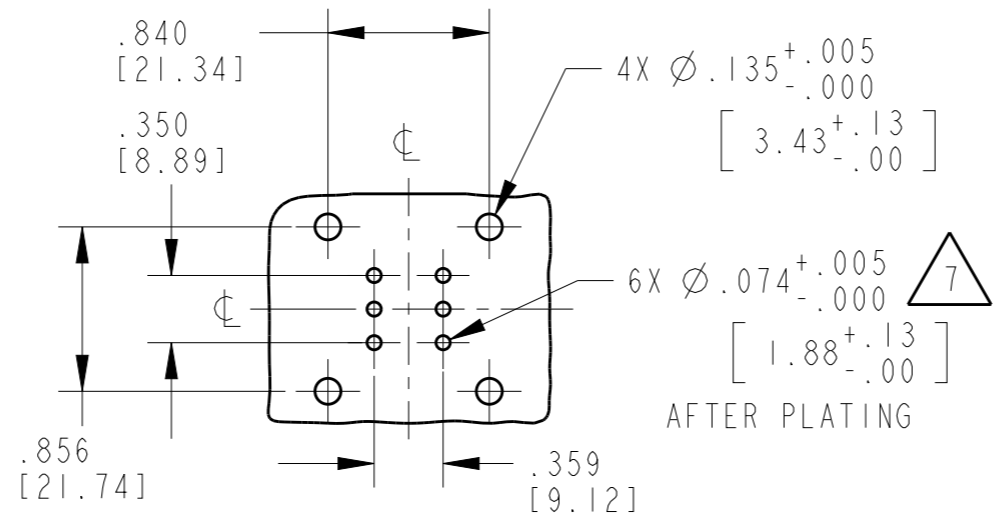
2 MATERIAL:
SHELL: PA GF-30 (GRAY)
SEAL: SILICONE (ORANGE - RED).
PIN CONTACT: COPPER ALLOY

1 DIMENSION TOLERANCE: ±.025 [.64]
PANEL CUTOUT ±.010 [.25].
PIN LOCATION: ±.005 [.13]
MOUNTING HOLE LOCATION: ±.005 [.13]
PCB LAYOUT: ±.005 [.13]

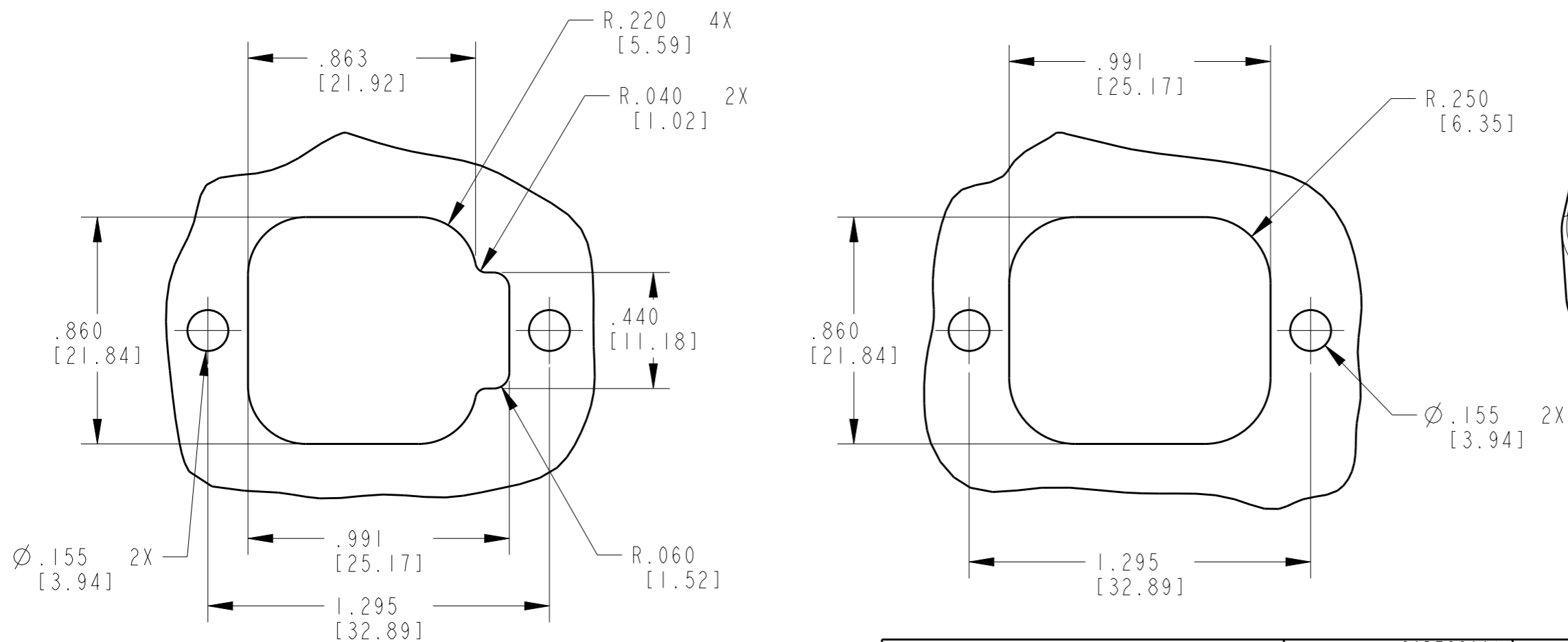
TE INTERNAL PN	DEUTSCH PN
DT15-6P	DT15-6P

THIS DRAWING IS A CONTROLLED DOCUMENT.		DWN P. BURKE 20DEC2001	TE TE Connectivity		
DIMENSIONS: INCHES [mm]		CHK J. APOSTOL 16NOV2006			
TOLERANCES UNLESS OTHERWISE SPECIFIED:		APVD S. BEARD 17NOV2006	NAME PCB MOUNT RECEPTACLE 6 SIZE 16 CONTACTS DT SERIES		
0 PLC ±. 1 PLC ±. 2 PLC ±. 3 PLC ±. 4 PLC ±. ANGLES ±°		PRODUCT SPEC 108-151009	SIZE A3	CAGE CODE 4AFU8	DRAWING NO. DT15-6P
MATERIAL 2		FINISH -	RESTRICTED TO -	SCALE 2:1	
		WEIGHT 22 g	SHEET 1 OF 2		REV D
NOTES:		Customer Drawing			

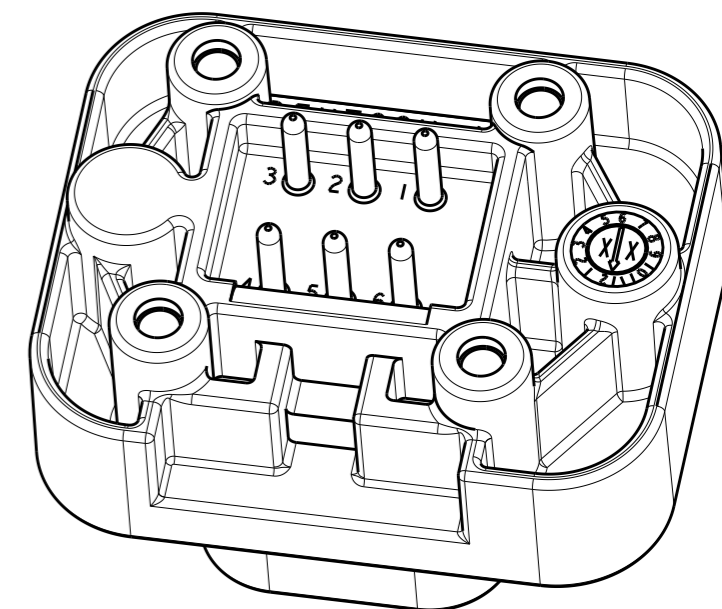
LOC	DIST	REVISIONS			
P	LTR	DESCRIPTION	DATE	DWN	APVD
-	-	SEE SHEET 1	-	-	-



RECOMMENDED PCB LAYOUT



RECOMMENDED PANEL CUTOUTS



3D VIEW

THIS DRAWING IS A CONTROLLED DOCUMENT.		DWN P. BURKE 20DEC2001	TE Connectivity	
DIMENSIONS: INCHES [mm]		CHK J. APOSTOL 16NOV2006		
TOLERANCES UNLESS OTHERWISE SPECIFIED:		APVD S. BEARD 17NOV2006	NAME PCB MOUNT RECEPTACLE 6 SIZE 16 CONTACTS DT SERIES	
0 PLC ± 1 PLC ± 2 PLC ± 3 PLC ± 4 PLC ± ANGLES ±1°		PRODUCT SPEC 108-151009	SIZE A3	
MATERIAL 2		APPLICATION SPEC -	CAGE CODE 4AFU8	DRAWING NO. DT15-6P
FINISH -		WEIGHT 22 g	RESTRICTED TO -	
		Customer Drawing	SCALE 2:1	SHEET 2 OF 2 REV D