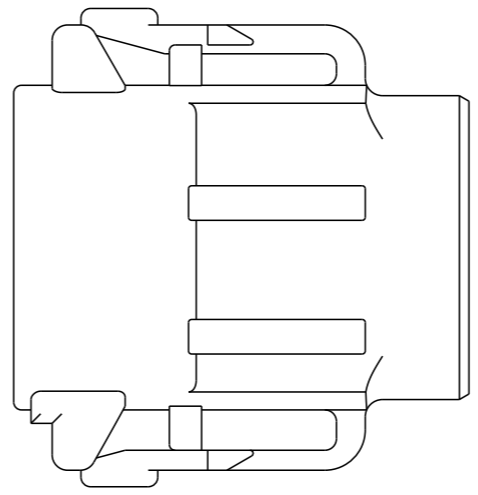
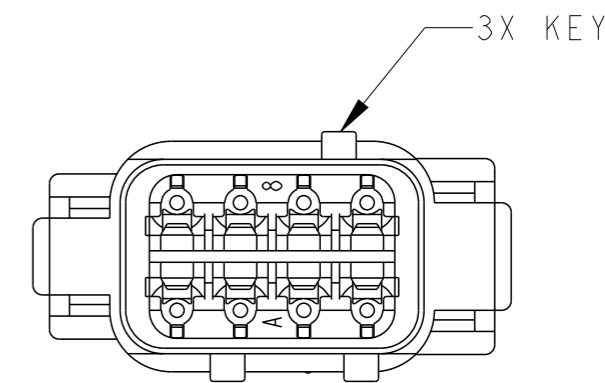
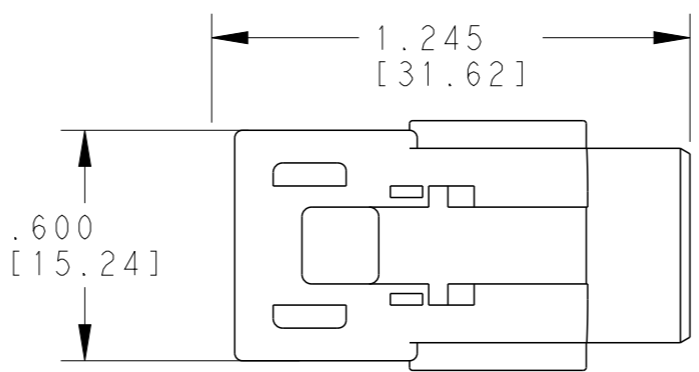
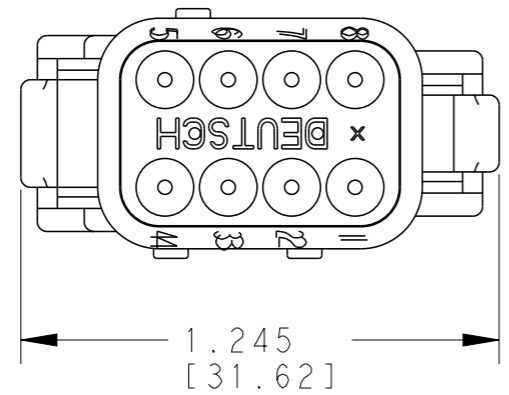
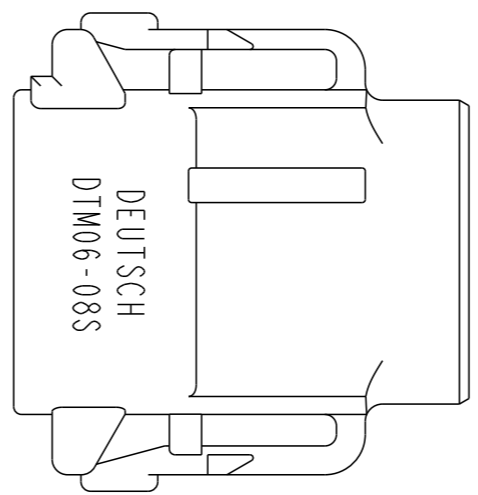
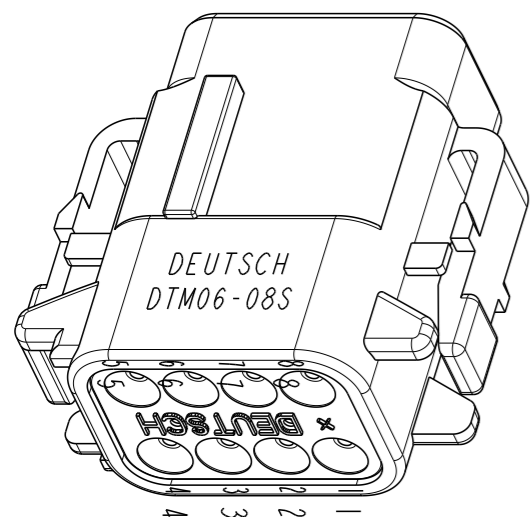


THIS DRAWING IS UNPUBLISHED. RELEASED FOR PUBLICATION 2014. ALL RIGHTS RESERVED. © COPYRIGHT 2014 BY TE CONNECTIVITY

LOC DIST

REVISIONS

P	LTR	DESCRIPTION	DATE	DWN	APVD
	A	NEW RELEASE	12DEC2014	JA	DM
	A1	ECO-15-008171	29MAY2015	MGM	DM
	B	REVISED PER PCN E-20-002579	12MAY2020	MR	IG



TE INTERNAL PN	DEUTSCH PN
2289630-1	DTM06-08SA-E003
2289630-2	DTM06-08SB-E003
2289630-3	DTM06-08SC-E003
2289630-4	DTM06-08SD-E003

CONTACT SIZE	MIN. INSUL. O.D.	MAX. INSUL. O.D.	WIRE RANGE [mm ²] REF ONLY
20	.053 [1.35]	.120 [3.05]	16-22 AWG [1.0-0.5]

5. SEE SHEET 2 FOR OTHER KEY ARRANGEMENTS.

4 MATERIAL - HOUSING: PA66 GF15; GROMMET: VMQ.

3. THIS PLUG MATES WITH DTM04-08PX-XXXX RECEPTACLE. (X = A,B,C,D KEYS; XXXX = ALL MODIFICATIONS)

2 FOR CONTACT AND WIRE PERFORMANCE AND APPLICATION CHARACTERISTICS SEE ENVELOPE DRAWING 0425-015-0000.

1. SECONDARY WEDGE LOCK SOLD SEPARATELY: WM-8S.

NOTES: UNLESS OTHERWISE SPECIFIED

THIS DRAWING IS A CONTROLLED DOCUMENT.

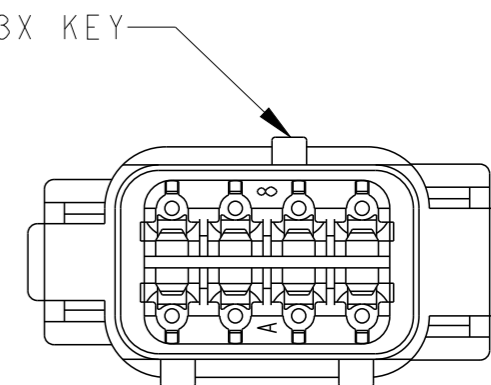
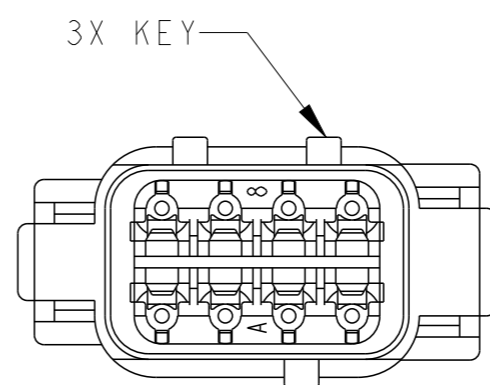
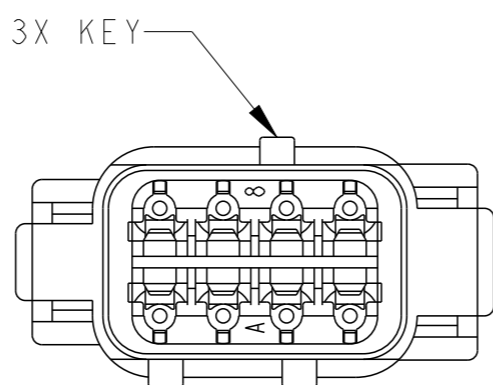
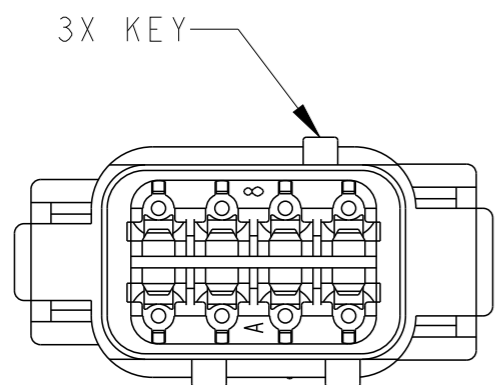
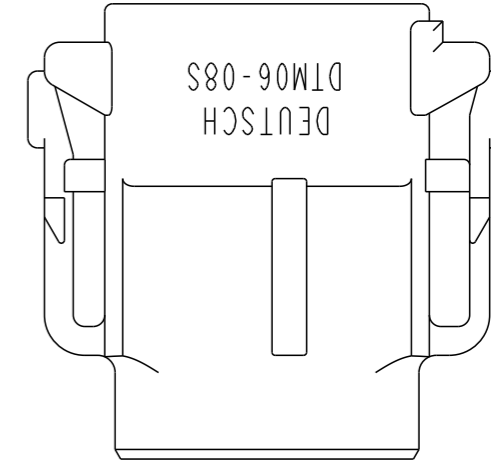
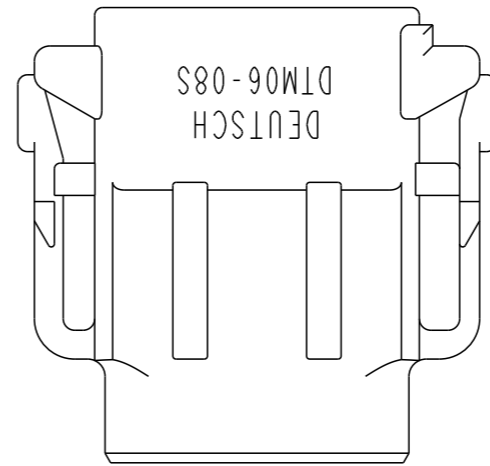
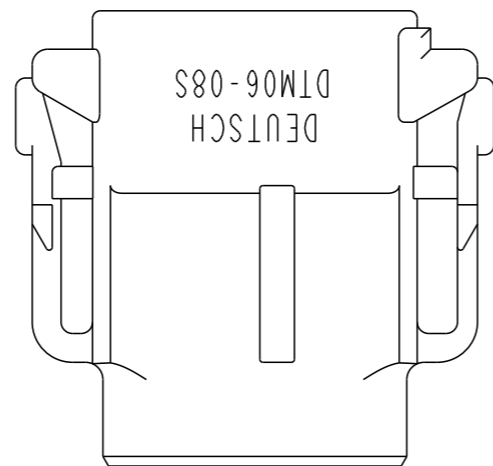
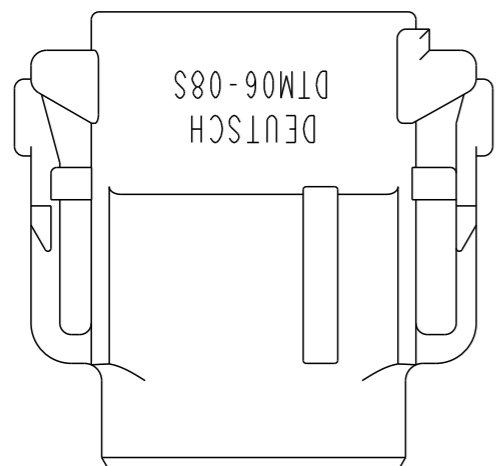
DWN 16APR2001 JAIME C. APOSTOL
 CHK 28OCT2014 BOB MILLIGAN
 APVD 28OCT2014 DAVID MEYER

TE Connectivity

PLUG
8 CONTACTS SIZE 20
DTM SERIES

DIMENSIONS: INCHES [mm]	TOLERANCES UNLESS OTHERWISE SPECIFIED:	PRODUCT SPEC 108-151010	SIZE A3	CAGE CODE 4AFU8	DRAWING NO. DTM06-08SX-E003	RESTRICTED TO -
	0 PLC ± 1 PLC ± 2 PLC ± 3 PLC ±.025 [0.64] 4 PLC ± ANGLES ±0°30'0"	APPLICATION SPEC 114-151010	SCALE 2:1	SHEET 1 OF 2	REV B	
MATERIAL 4	FINISH N/A	WEIGHT 10.61g	Customer Drawing			

LOC	DIST	REVISIONS			
P	LTR	DESCRIPTION	DATE	DWN	APVD
		SEE SHEET 1	-	-	-



DTM06-08SA-E003
KEY -A-
COLOR: GREY

DTM06-08SB-E003
KEY -B-
COLOR: BLACK

DTM06-08SC-E003
KEY -C-
COLOR: GREEN

DTM06-08SD-E003
KEY -D-
COLOR: BROWN

THIS DRAWING IS A CONTROLLED DOCUMENT.		DWN 16APR2001 JAIME C. APOSTOL																
DIMENSIONS: INCHES [mm]		CHK 28OCT2014 BOB MILLIGAN																
TOLERANCES UNLESS OTHERWISE SPECIFIED:		APVD 28OCT2014 DAVID MEYER	NAME PLUG 8 CONTACTS SIZE 20 DTM SERIES															
<table border="0"> <tr><td>0 PLC</td><td>±</td></tr> <tr><td>1 PLC</td><td>±</td></tr> <tr><td>2 PLC</td><td>±</td></tr> <tr><td>3 PLC</td><td>±.025 [0.64]</td></tr> <tr><td>4 PLC</td><td>±</td></tr> <tr><td>ANGLES</td><td>±0°30'0"</td></tr> </table>		0 PLC	±	1 PLC	±	2 PLC	±	3 PLC	±.025 [0.64]	4 PLC	±	ANGLES	±0°30'0"	PRODUCT SPEC 108-151010	SIZE A3	CAGE CODE 4AFU8	DRAWING NO DTM06-08SX-E003	RESTRICTED TO -
0 PLC	±																	
1 PLC	±																	
2 PLC	±																	
3 PLC	±.025 [0.64]																	
4 PLC	±																	
ANGLES	±0°30'0"																	
MATERIAL 4		FINISH N/A	APPLICATION SPEC 114-151010	WEIGHT 10.61g	SCALE 2:1	SHEET 2 OF 2	REV B											
Customer Drawing																		