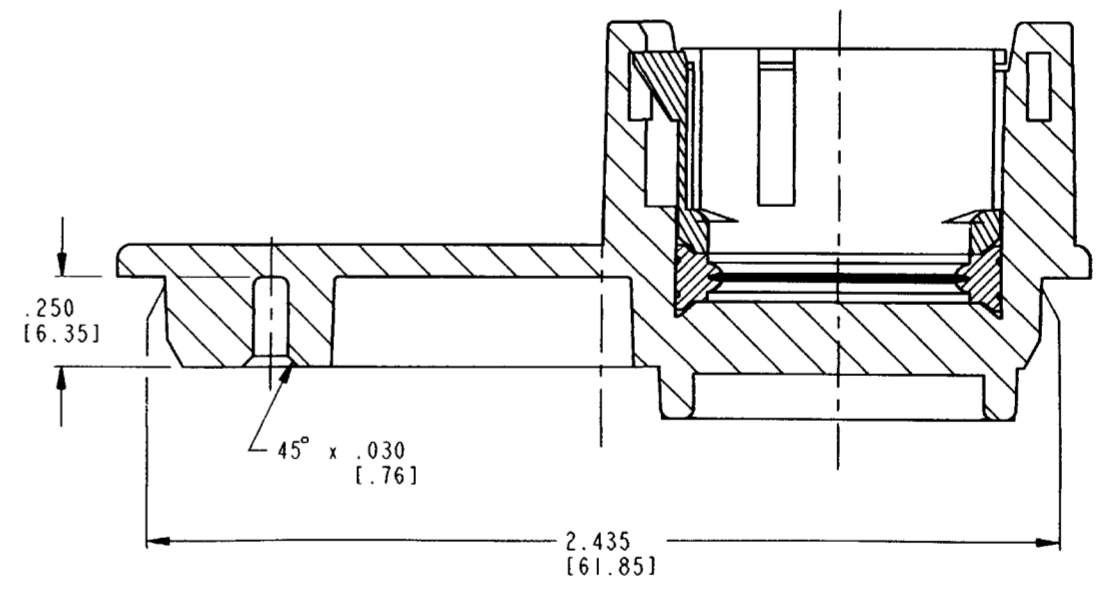
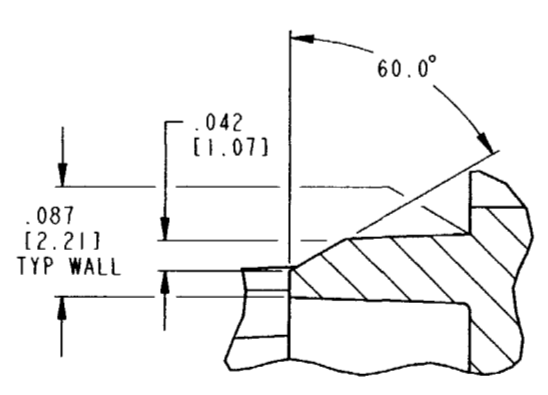
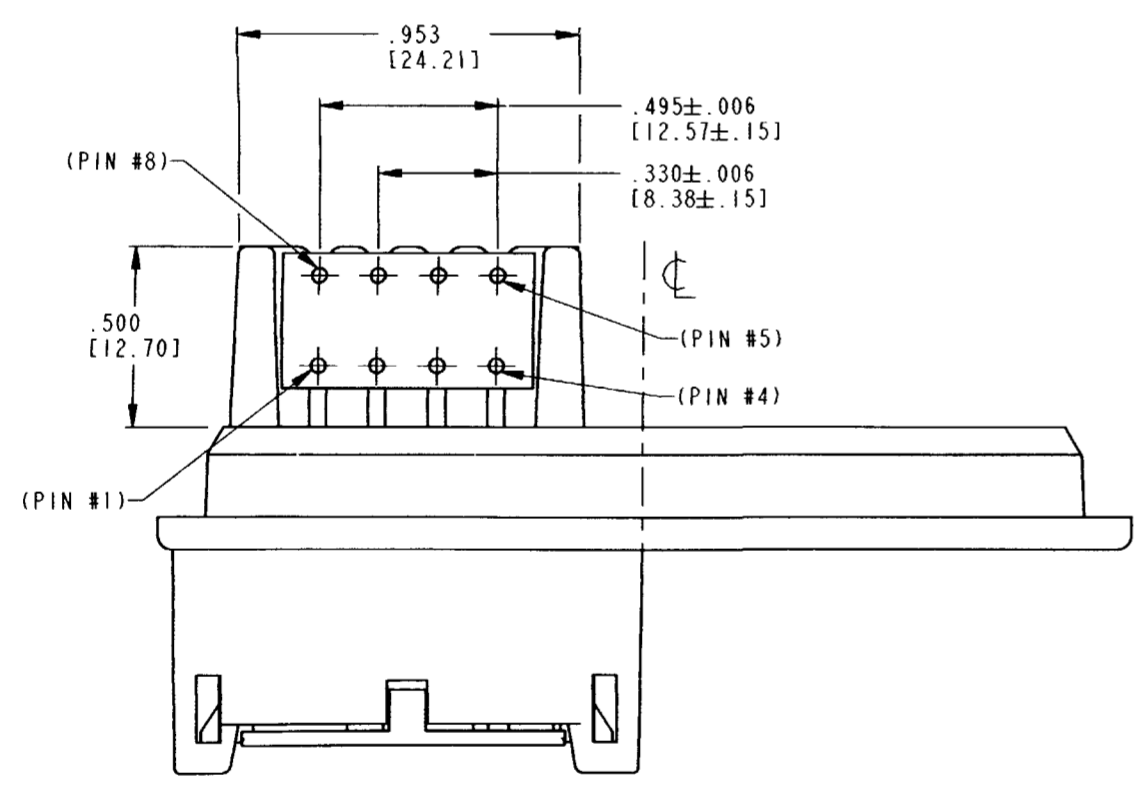
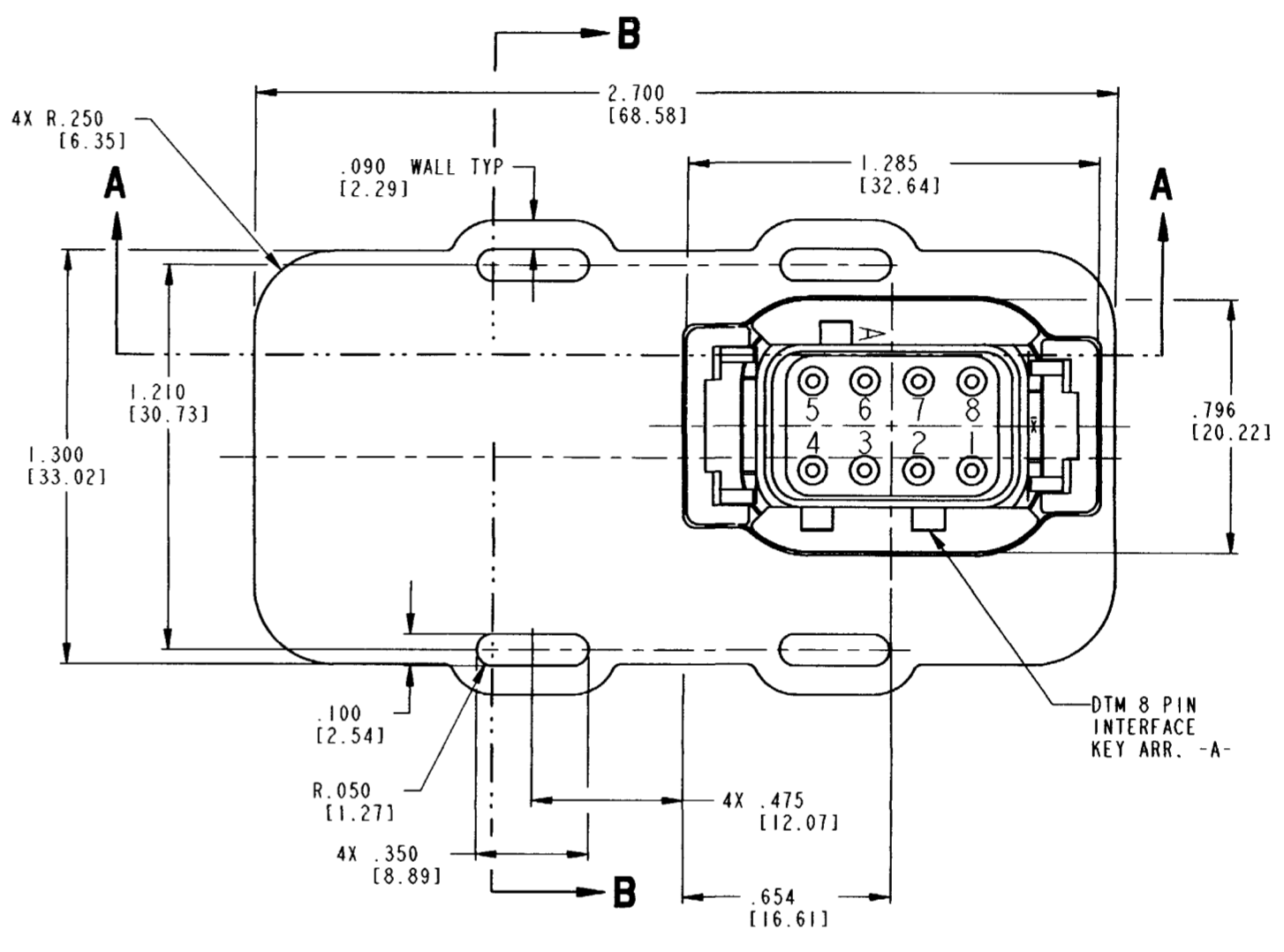
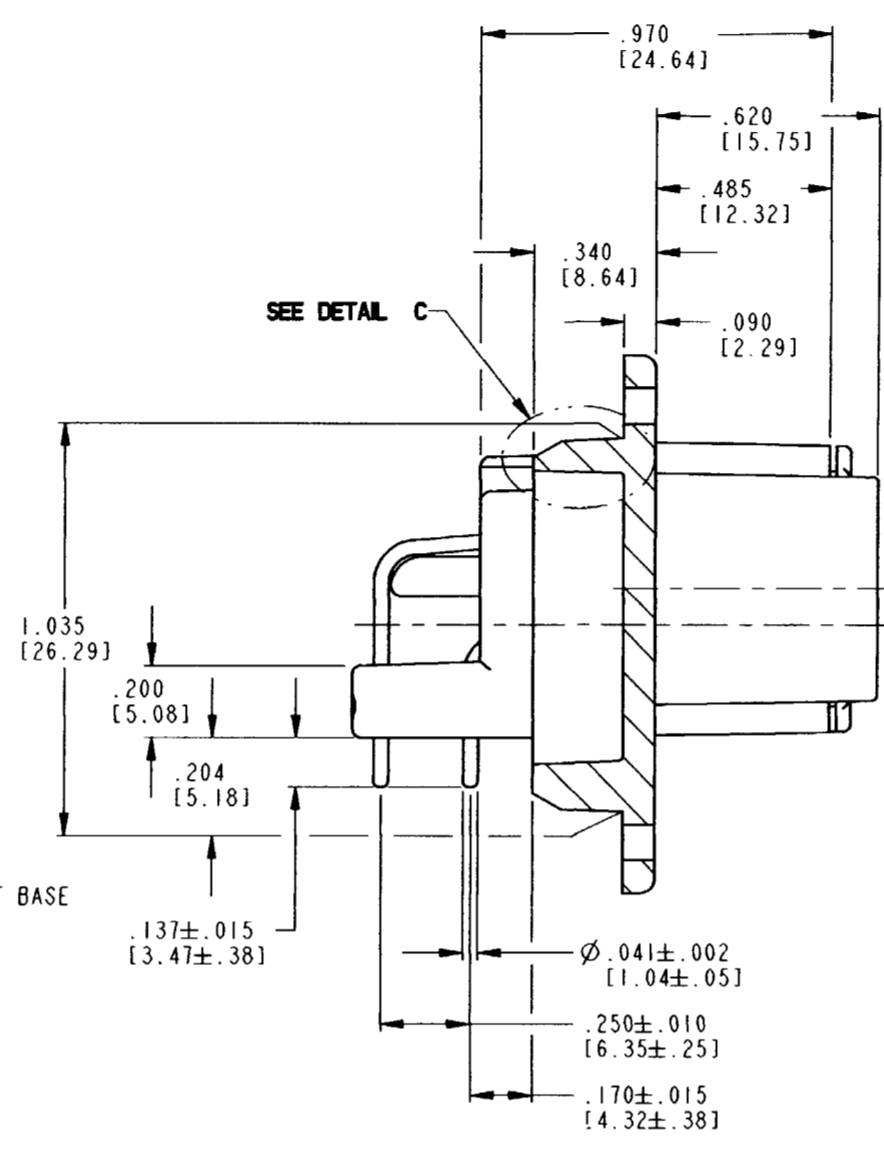
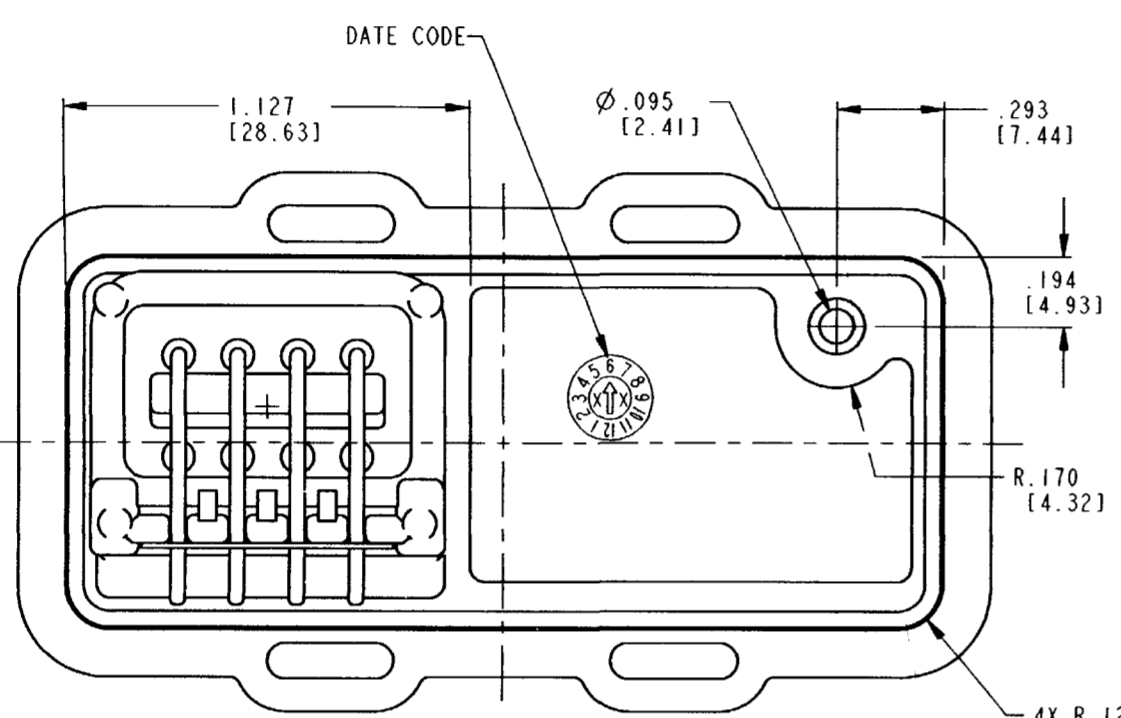


11 10 9 8 7 6 5 4 3 2 1

REV D		DTM13-08PA-R004			
		REVISIONS			
SYM	DESCRIPTION	DATE	APPROVED		
A	RELEASE PER E.O. P15401	9/30/97	C.W.		
B	REVISED PER E.O. P15519	2/11/98	C.W.		
C	REVISED PER E.O. P19008	8-22-05	R.D.R.		
D	REVISED PER E.O. P19335	8-23-06	RDR		



SECTION B-B

DETAIL C
SCALE 6:1

SECTION A-A

6. CONTACT RATING 7.5 A CONTINUOUS.
5. THIS RECEPTACLE MATES WITH DTM06-08SA-**** PLUG. (**** = ALL MODIFICATIONS).
4. MATERIAL: PLASTIC (GREY); SEALS: RUBBER.
3. CONTACT PLATING - MATING SIDE: NICKEL; PCB SIDE: TIN.
2. DIMENSION TOLERANCE: ±.025 [.64].
1. DIMENSIONS ARE IN INCHES [MILLIMETERS].

NOTES: UNLESS OTHERWISE SPECIFIED

SIGNATURE & DATE	
DR	C. WOODRUFF 20AUG97
CHK	[Signature]
PE	[Signature]
APPD	[Signature]
SCALE	3:1 WT

8 WAY RECEPTACLE
-R004 FLANGE MOD.
DTM SERIES

EP	DR
The Deutch Company	
DEUTSCH I.P.D.	
3850 INDUSTRIAL AVE.	
HEMET, CALIF. 92545	
DTM13-08PA-R004	
ENVELOPE	SHEET 1 OF 1

11 10 9 8 7 6 5 4 3 2 1