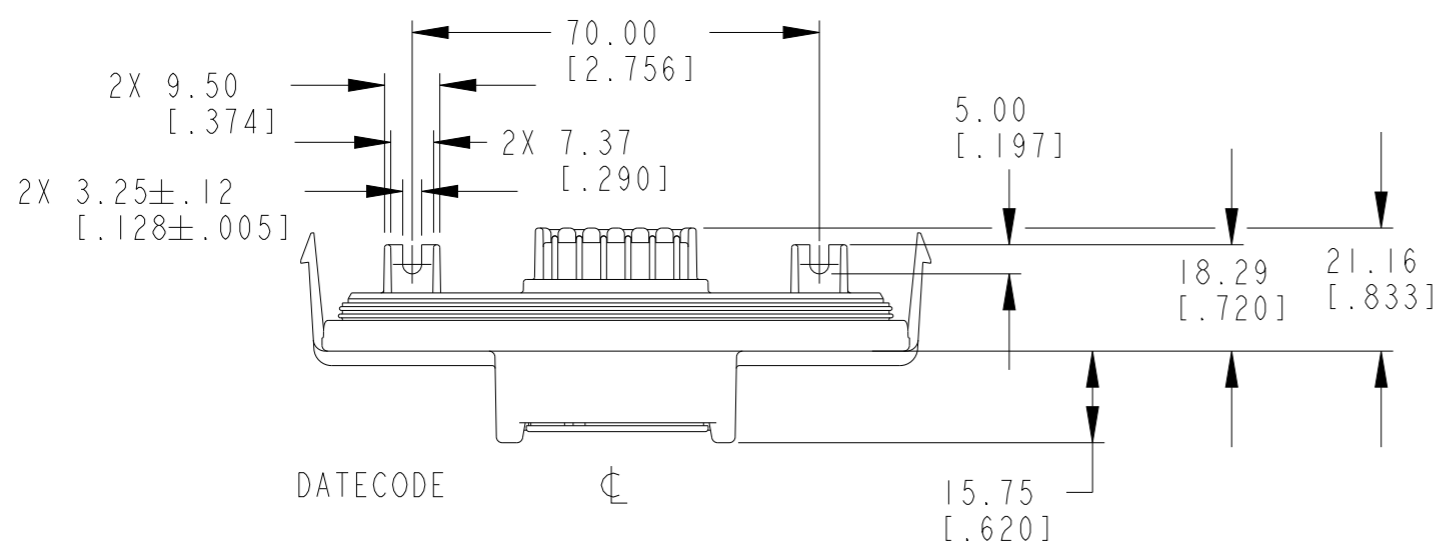
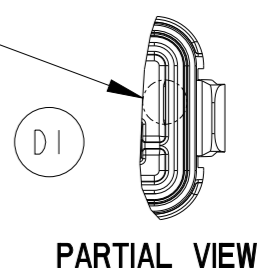
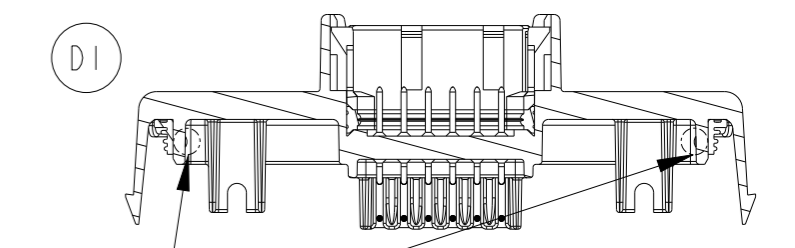
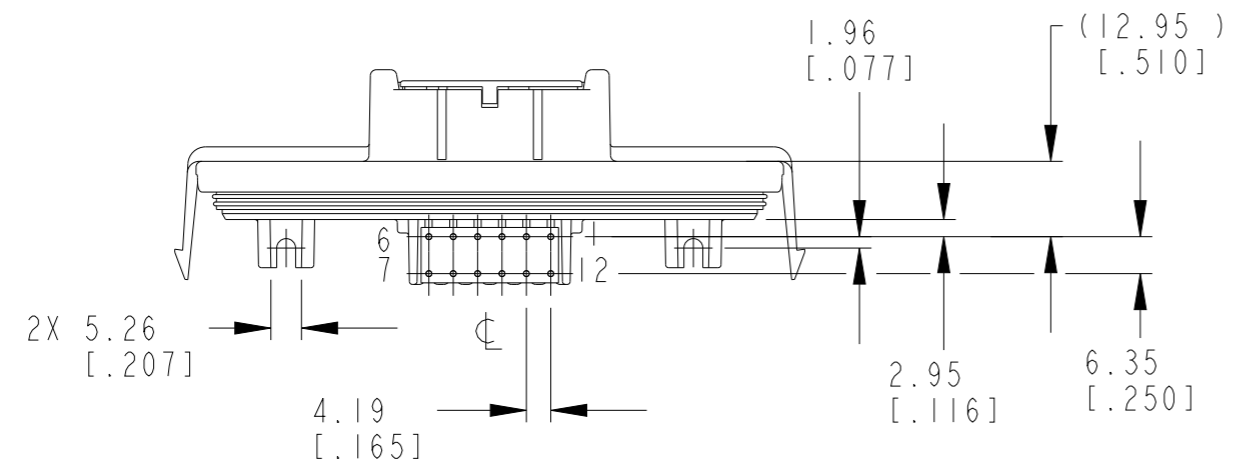
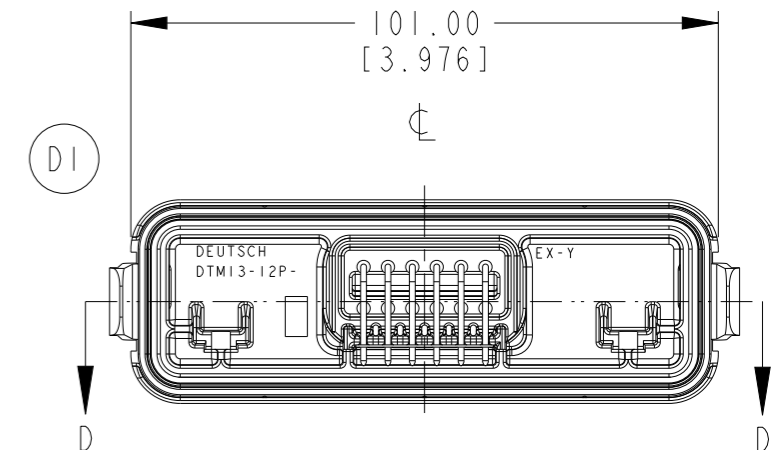
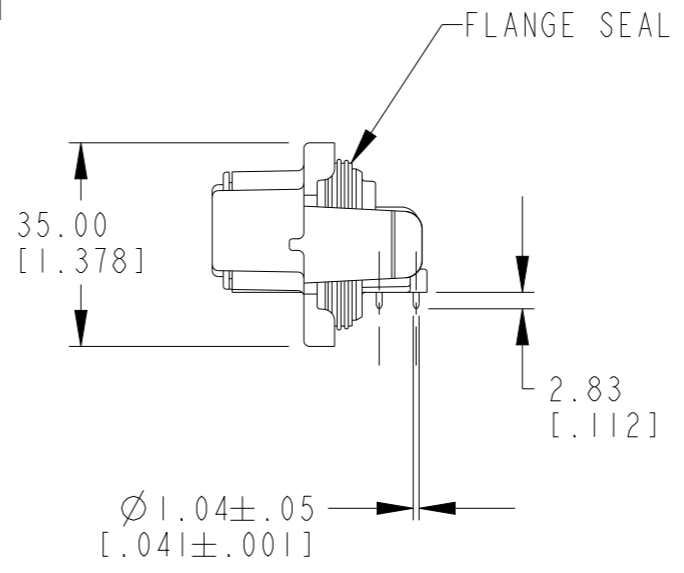
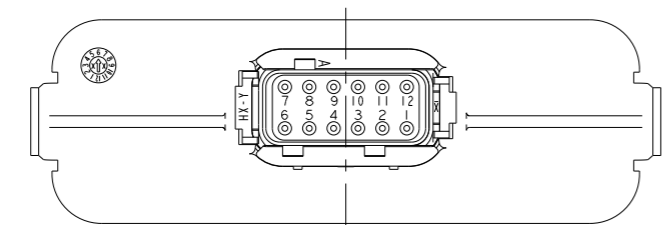


P	LTR	DESCRIPTION	DATE	DWN	APVD
	DI	PCN-22-156615	21AUG2023	GB	IG



DATECODE

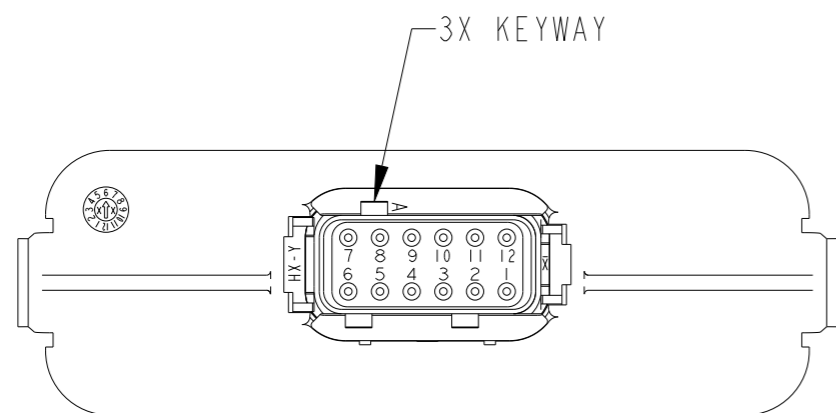


7. SEE SHEET 2 FOR OTHER KEY ARRANGEMENTS.
6. THIS RECEPTACLE IS USED WITH EEC-325X4(A OR B) ENCLOSURE. SEE ENVELOPE DRAWING EEC-325X4A/EEC-325X4B FOR ENCLOSURE INFORMATION.
5. THIS RECEPTACLE MATES WITH DTM06-12S*-***** PLUG. (* = A,B,C,D KEYS; ***** = ALL MODIFICATIONS).
4. MATERIAL - PLASTIC (BLACK); SEALS: RUBBER.
3. CONTACT PLATING - MATING SIDE: GOLD; PCB SIDE: TIN (-GRO1 MOD).
2. DIMENSION TOLERANCE: $\pm .64 [0.025]$.
1. DIMENSIONS ARE IN MILLIMETERS [IN].
UNLESS OTHERWISE SPECIFIED

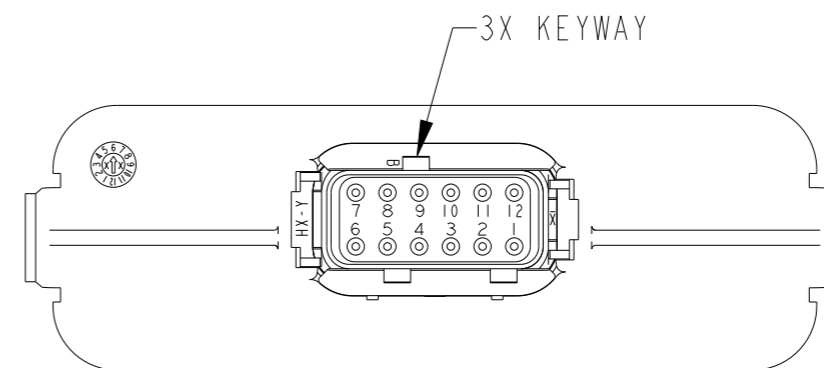
THIS DRAWING IS A CONTROLLED DOCUMENT.		DWN	D. MEYER	29NOV2011	STE TE Connectivity			
		CHK	B. BYFORD	07NOV2011				
DIMENSIONS: INCHES		APVD	-	-	NAME RECEPTACLE 12 #20 SIZE CONTACT KEY ARRANGEMENTS A, B, C, D-GRO1 MOD DTM SERIES ENVELOPE			
TOLERANCES UNLESS OTHERWISE SPECIFIED:		PRODUCT SPEC	-	-	SIZE	CAGE CODE	DRAWING NO	RESTRICTED TO
0 PLC $\pm .1$		APPLICATION SPEC	-	-	A3	00779	©=dtm13-12px-gr01-env.drw	
1 PLC ± 0.01		WEIGHT	-	-	SCALE 1:1.3			SHEET 1 OF 2
2 PLC ± 0.01		CUSTOMER DRAWING	-	-	REV DI			
3 PLC ± 0.001								
4 PLC ± 0.0001								
ANGLES $\pm .1$								
MATERIAL TBD								
FINISH -								

REVISIONS

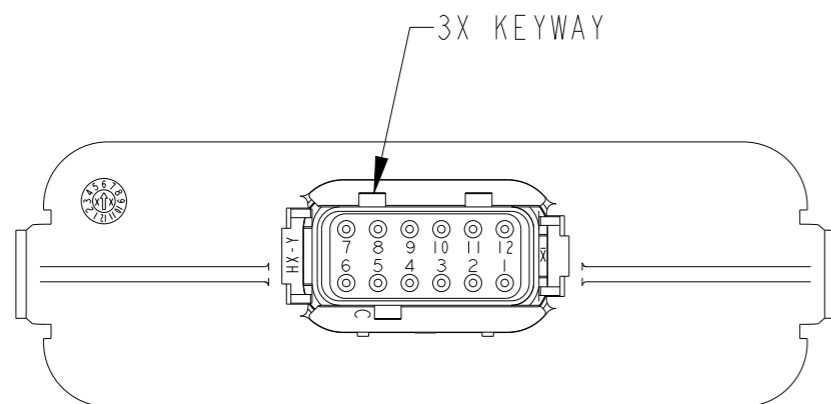
P	LTR	DESCRIPTION	DATE	DWN	APVD
	-	SEE SHEET 1	-	-	-



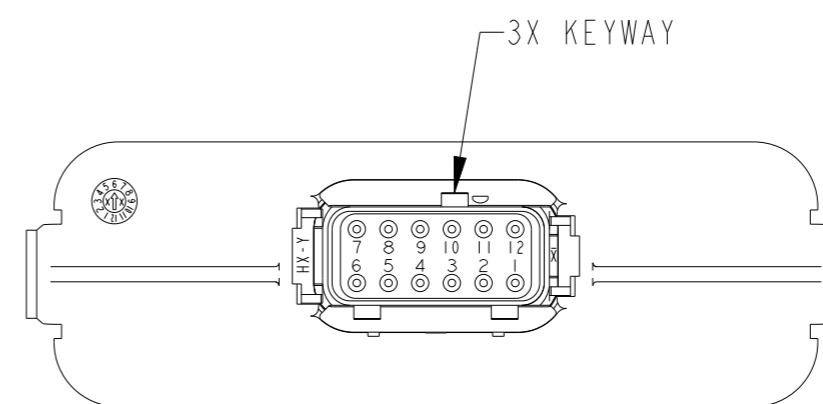
DTM13-12PA-GR01
KEY -A-
SLEEVE COLOR: GREY



DTM13-12PB-GR01
KEY -B-
SLEEVE COLOR: BLACK



DTM13-12PC-GR01
KEY -C-
SLEEVE COLOR: GREEN



DTM13-12PD-GR01
KEY -D-
SLEEVE COLOR: BROWN

THIS DRAWING IS A CONTROLLED DOCUMENT.		DWN D. MEYER 29NOV2011		
DIMENSIONS: INCHES		CHK B. BYFORD 07NOV2011		
		TOLERANCES UNLESS OTHERWISE SPECIFIED: 0 PLC ±. 1 PLC ±0.1 2 PLC ±0.01 3 PLC ±0.001 4 PLC ±0.0001 ANGLES ±.		NAME RECEPTACLE 12 #20 SIZE CONTACT KEY ARRANGEMENTS A, B, C, D-GR01 MOD DTM SERIES ENVELOPE
MATERIAL TBD	FINISH -	APVD -	PRODUCT SPEC -	APPLICATION SPEC -
-		WEIGHT -	SIZE A3	CAGE CODE 00779
-		CUSTOMER DRAWING	DRAWING NO G-dtm13-12px-gr01-env.drw	RESTRICTED TO
-		SCALE 1:1.383	SHEET 2	OF 2
-		REV D1		