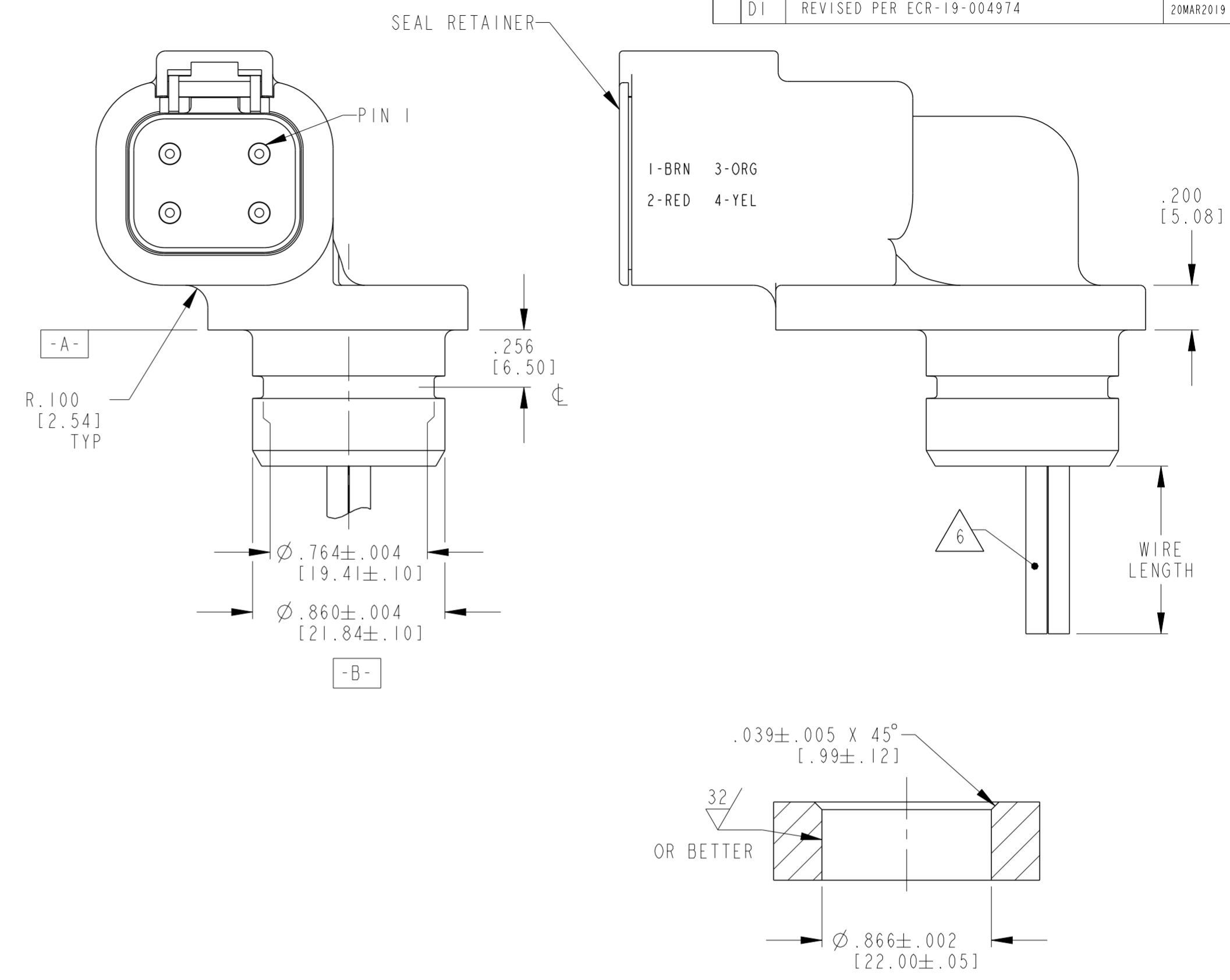
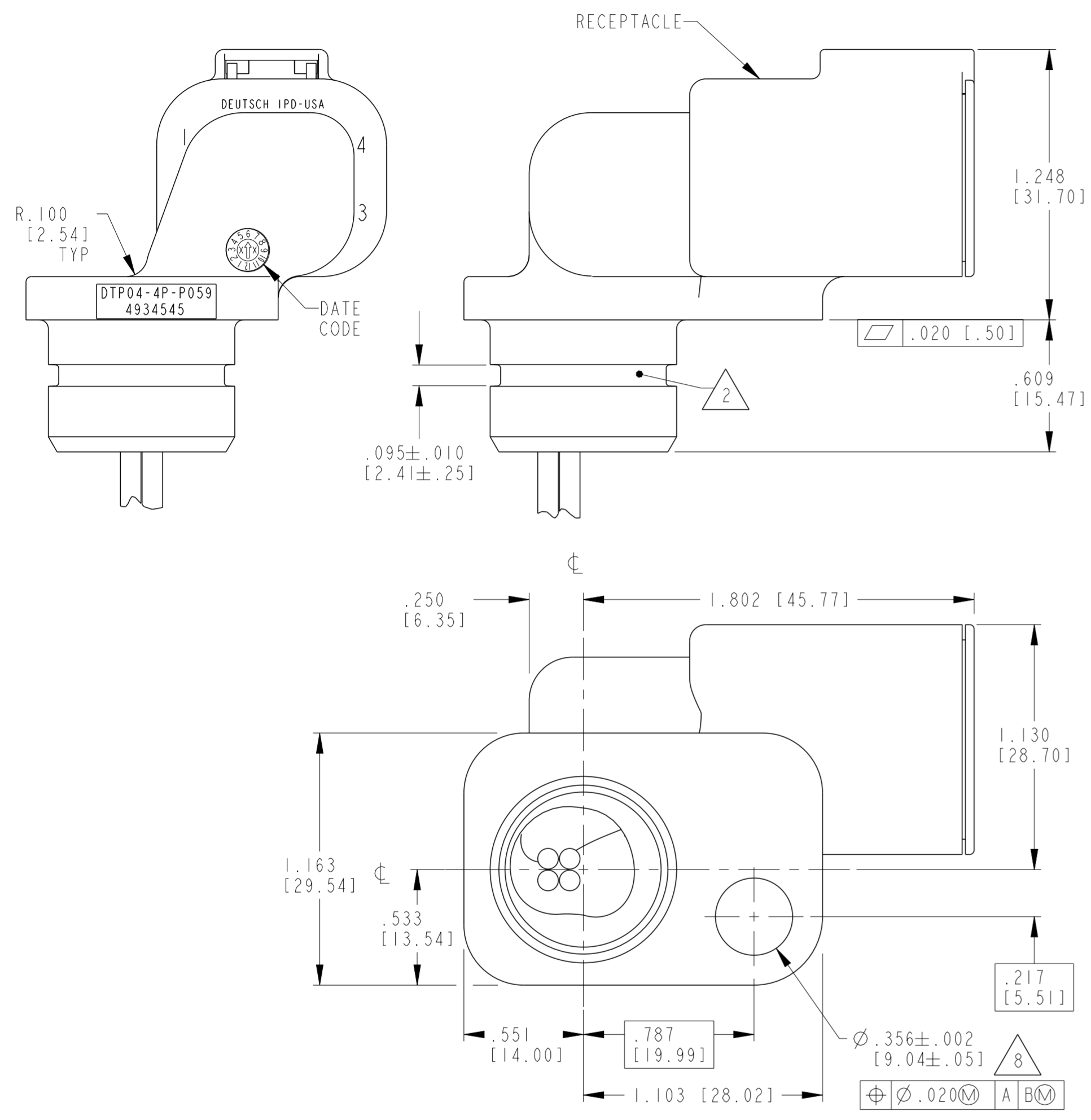


REVISIONS						
LOC	DIST	P	LTR	DESCRIPTION	DATE	APVD
-	-	C1		REVISED PER ECO-13-006590	16APR2013	DM
		C2		REVISED PER ECO-14-005406	05MAY2014	DM
		D		REVISED PER ECO-15-003592	14APR2015	DM
		D1		REVISED PER ECR-19-004974	20MAR2019	DM



RECOMMENDED CUTOUT

- 6. CONDUCTORS ARE PER MIL-W-16878/4, TYPE E, 14AWG, 19 STRAND SILVER-PLATED COPPER CONDUCTOR, TEMPERATURE: -60°C TO +200°C, VOLTAGE: 600V RMS. EXTRUDED TFE (TEFLON) INSULATION.
 - 5. THIS RECEPTACLE MATES WITH DTP06-4S-XXXX PLUG. (XXXX = ALL MODIFICATIONS)
 - 4. CLEARANCE REQUIRED FOR PLUG DISCONNECT IS 3.180 [80.77]. (FROM ϕ OF 'O' RING HOLE)
 - 3. REAR END OF MATED PLUG TO ϕ OF 'O' RING HOLE IS 2.376 [60.35].
 - 2. RECOMMENDED O' RING: SIZE 2-018 (PARKER).
 - 1. WIRE LENGTH TOLERANCE: ±.118[3.00]
- NOTES: UNLESS OTHERWISE SPECIFIED

- 9. MATERIAL:
 RECEPTACLE: PA66 GF15 (GREEN)
 SEAL RETAINER: PA66 GF15 (GREEN)
 PINS: CU ALLOY, NICKEL PLATED
 INTERNAL SEAL: SILICONE
 INTERFACE SEAL: SILICONE, PHENYL FLUID LUBED (GREEN)
- 8. NOTED DIMENSION DEFINED BY >SPIROL< SPECIFICATIONS.
- 7. THIS MODIFICATION CONSIST OF THE FOLLOWING:
 A. CONTACTS ARE NICKEL PLATED.
 B. FLANGE MOUNTING HOLE DIAMETER WILL ACCOMODATE A STANDARD SPLIT SEAM COMPRESSION LIMITER.
 >SPIROL< SIZE: M6. TYPE, LENGTH AND FINISH DEFINED BY CUSTOMER
 C. CUSTOMER PART NUMBER IS 4934545
 D. WIRE COLOR AND LENGTH:

PIN	WIRE LENGTH	WIRE COLOR
1	9.252[235.00]	BROWN
2	8.858[225.00]	RED
3	14.370[365.00]	ORANGE
4	14.370[365.00]	YELLOW

THIS DRAWING IS A CONTROLLED DOCUMENT.

DWN	PRAVEENA V	02MAY2014
CHK	K. McKEE	05MAY2014
APVD	D. MEYER	05MAY2014

TE CONNECTIVITY

90 DEG RECEPTACLE
 COLOR GREEN, P059 MOD
 DTP SERIES

SIZE	A2	CAGE CODE	4AFU8	DRAWING NO	DTP04-4P-P059	RESTRICTED TO	-
WEIGHT	69.1 g	SCALE	NONE	SHEET	1 OF 1	REV	DI