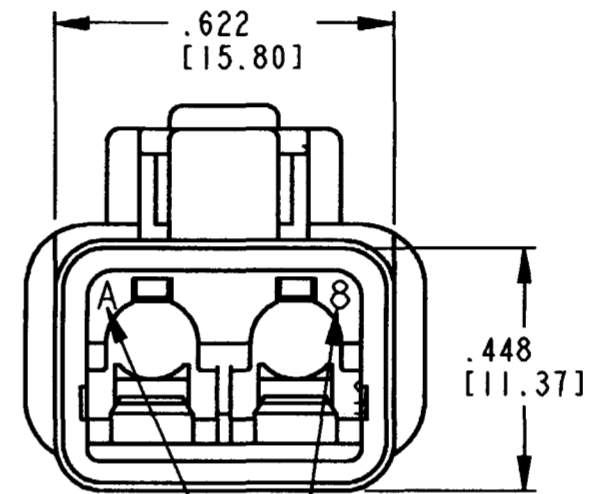
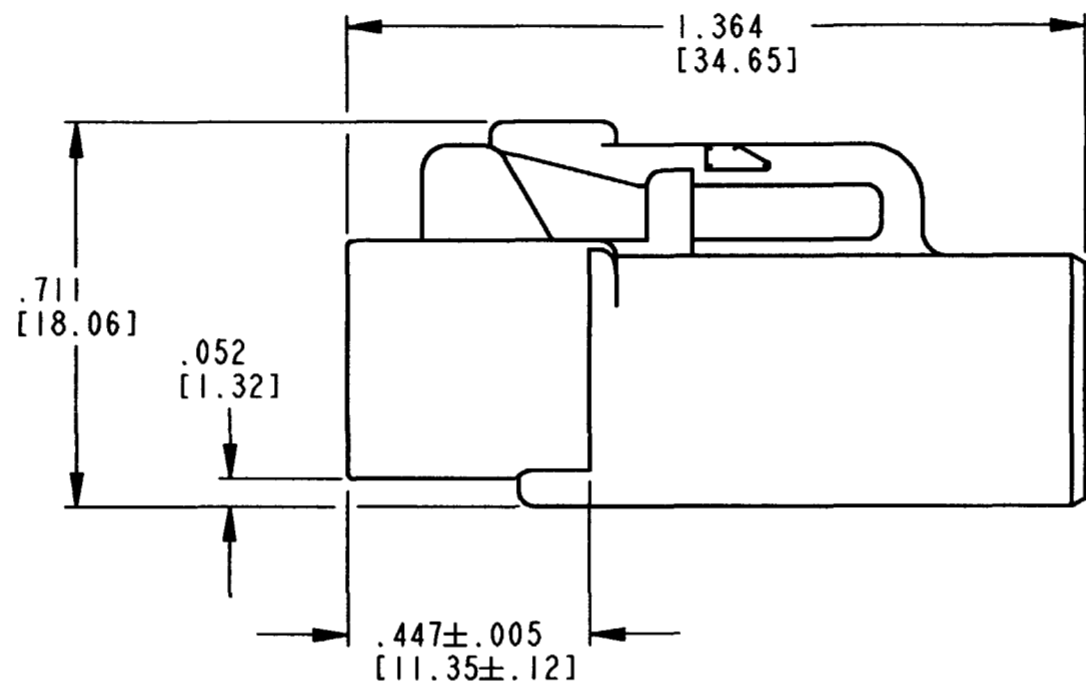
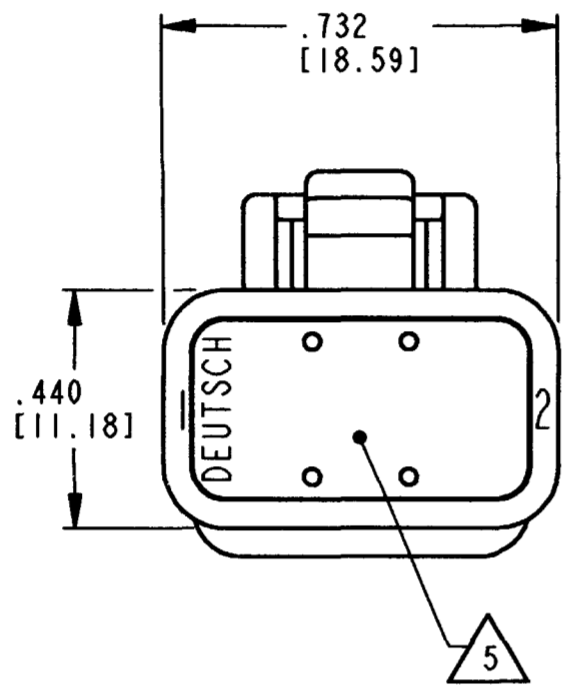
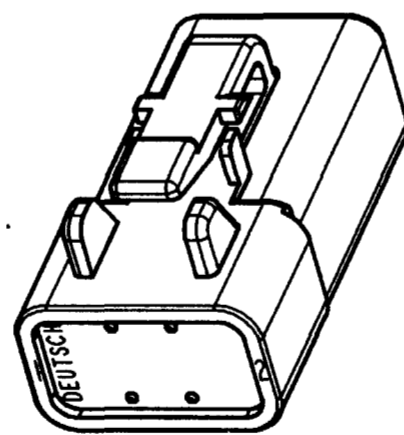


REV		REVISIONS		
SYM	DESCRIPTION	DATE	APPROVED	
NC	NEW RELEASE PER E.O. P18356	10-29-03	RDR	



DATE CODE: MONTH IS REPRESENTED BY SEQUENTIAL ALPHA CHARACTERS. EX: A=JANUARY; YEAR IS REPRESENTED BY LAST NUMERICAL DIGIT. EX: 8=2008

- 5. MODIFICATION: GROMMET CONTACT CAVITIES ARE BLOCKED.
  - 4. MATERIAL: HOUSING: PLASTIC; GROMMET: RUBBER
  - 3. THIS PLUG MATES WITH DTP04-2P-\*\*\*\* RECEPTACLE. (\*\*\*\* = ALL MODIFICATIONS)
  - 2. DIMENSION TOLERANCE: ±.025 [ .64].
  - 1. DIMENSIONS ARE IN INCHES [mm].
- NOTES: UNLESS OTHERWISE SPECIFIED



3D VIEW

SIGNATURE & DATE		PLUG 2 CONTACTS, SIZE 12 COLOR: GREY -C017 SERIES DTP SERIES ENVELOPE	CP EPI48	MATL. CODE	
DR	D. MEYER 10/14/03		<b>The Deutsch Company</b> DEUTSCH I.P.D. 3850 INDUSTRIAL AVE. HEMET, CALIF. 92545		
CHK	Vladimir Jomse DTP-17-03		<b>B</b> DTP06-2S-C017 <small>DWG SIZE</small>	CODE	SHEET   OF
PE	Dr Meyer 10/29/03			1139	1
APPD	R. Reed 10-29-03				
SCALE	NONE	WT			