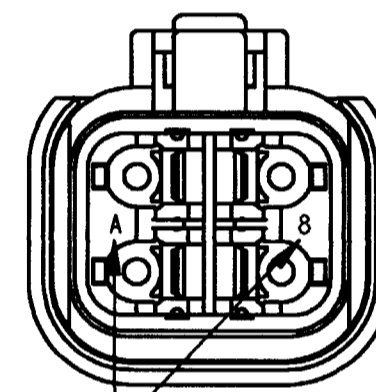
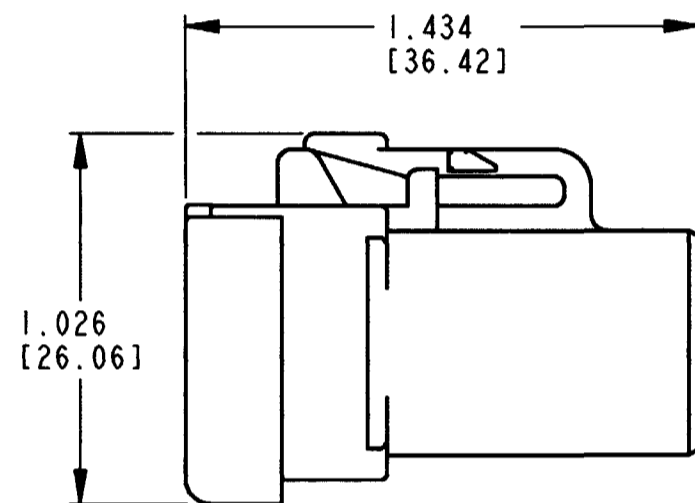
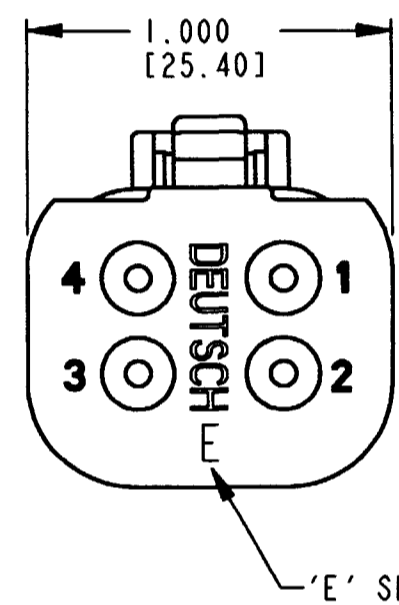
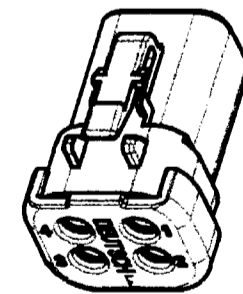


| | | | | |
|----------|-----------------------------|-----------|----------|--|
| REV A | DTP06-4S-CE03 | REVISIONS | | |
| SYM | DESCRIPTION | DATE | APPROVED | |
| NC | NEW RELEASE PER E.O. P17608 | 1/31/02 | RDR | |
| A | REVISED PER E.O. P18083 | 4-14-03 | RDR | |
| | | | | |



DATE CODE: MONTH IS REPRESENTED BY SEQUENTIAL ALPHA CHARACTERS. EX: A=JANUARY; YEAR IS REPRESENTED BY LAST NUMERICAL DIGIT. EX: 8=2008

- 6. MATERIAL: HOUSING/END CAP: PLASTIC
GROMMET: RUBBER
 - 5. THIS PLUG MATES WITH DTP04-4P-**** RECEPTACLE.
(**** = ALL MODIFICATIONS)
 - 4. FOR CONTACT AND WIRE PERFORMANCE AND APPLICATION CHARACTERISTICS SEE ENVELOPE DRAWING 0425-015-0000.
 - 3. SECONDARY WEDGE LOCK SOLD SEPARATELY, WP-4S.
 - 2. DIMENSION TOLERANCE: ±.025 [.64].
 - 1. DIMENSIONS ARE IN INCHES [mm].
- NOTES: UNLESS OTHERWISE SPECIFIED



| CONTACT SIZE | MIN. INSUL. O.D. | MAX INSUL. O.D. | WIRE RANGE [mm ²] REF ONLY | 4 |
|--------------|------------------|-----------------|--|---|
| 12 | .097 [2.46] | .158 [4.01] | 10-14 AWG [5.0-2.0] | |

| | | | | |
|------------------|----------------------------|--|---|------------|
| SIGNATURE & DATE | | PLUG W/END CAP 4 CONTACTS, SIZE 12 COLOR: BLACK; 'E' SEAL -CE03 MOD DTP SERIES ENVELOPE | CP | MATL. CODE |
| DR | D. MEYER 01/25/02 | | The Deutsch Company DEUTSCH I.P.D. 3850 INDUSTRIAL AVE. HEMET, CALIF. 92545 | |
| CHK | <i>[Signature]</i> 4/11/03 | | B DTP06-4S-CE03 DWG SIZE 11139 SHEET OF | |
| PE | <i>[Signature]</i> 4/11/03 | | | |
| APPD | <i>[Signature]</i> 4-14-03 | | | |
| SCALE | NONE | WT | | |