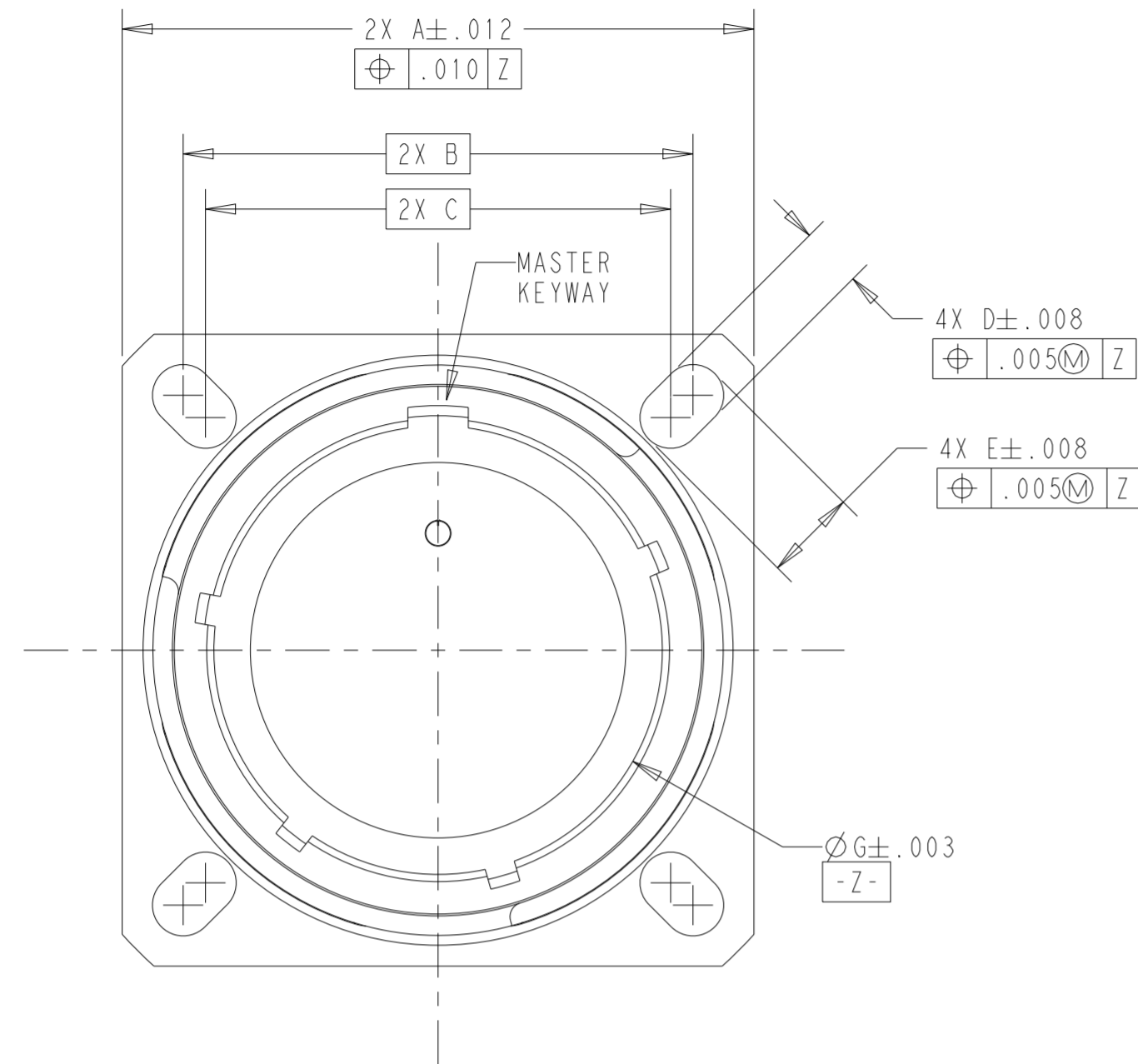
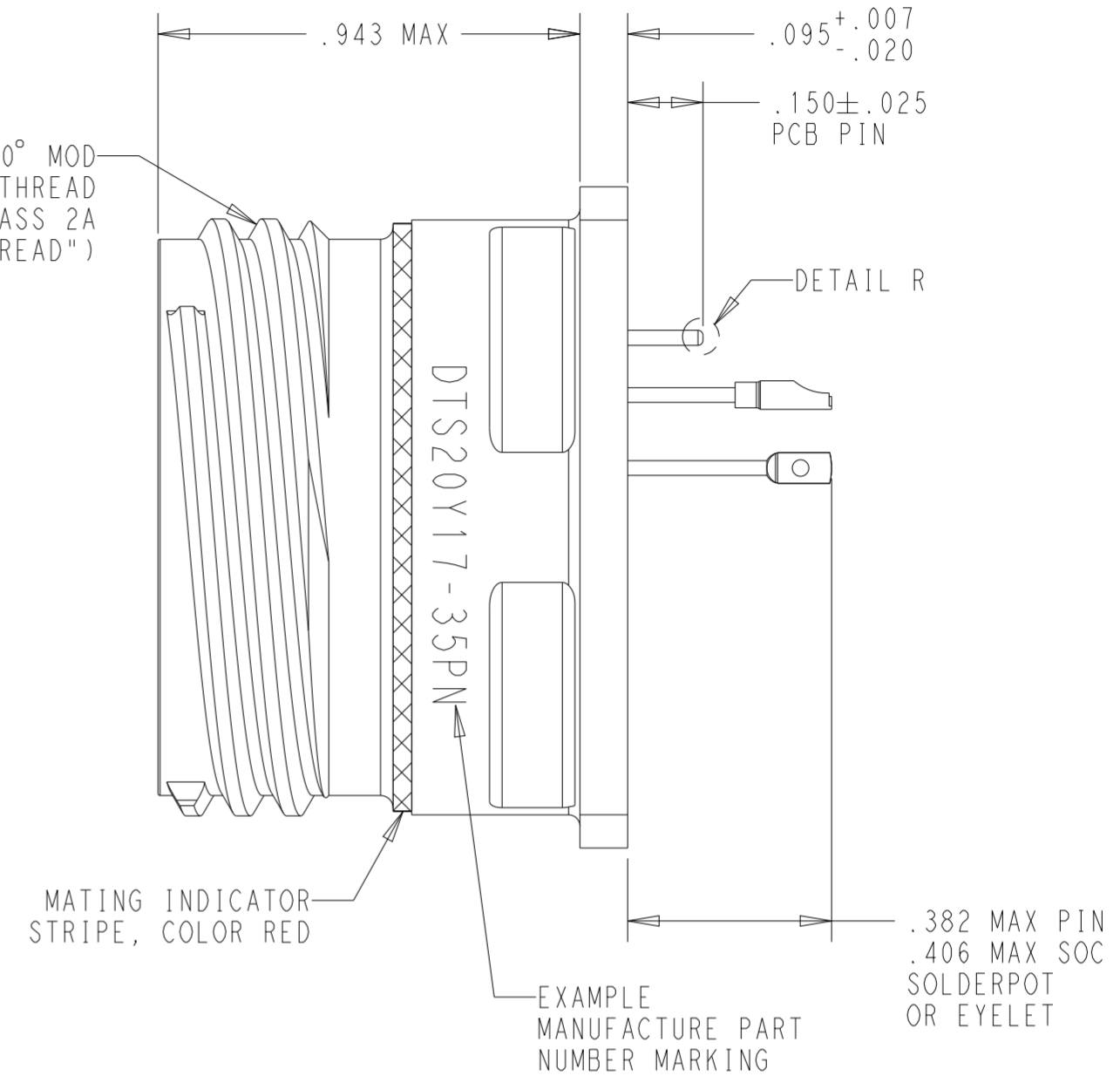


REVISIONS					
P	LTR	DESCRIPTION	DATE	DWN	APVD
B		REVISED PER ECO-19-013635	05SEP2019	JM	EO
C		REVISED PER ECN-22-153690	22JUN2022	DC	JA

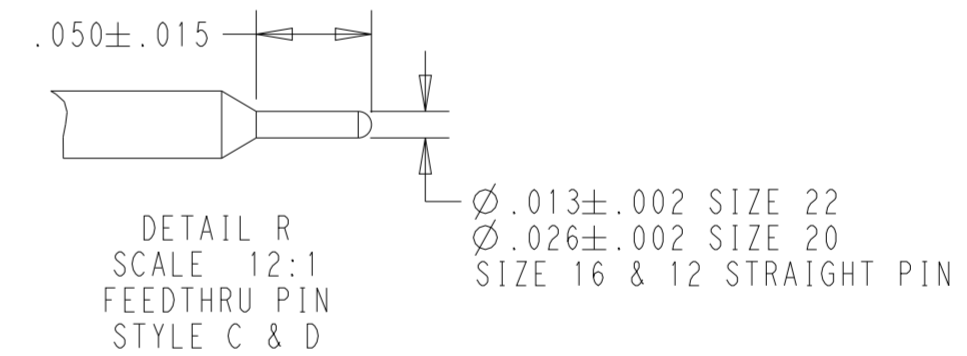


STUB 60° MOD  
TRIPLE START THREAD  
"F"-.1P-.3L CLASS 2A  
(SEE COLUMN "F THREAD")



PART NUMBER BREAKDOWN: DTS 20 Y 17-35 P N

- SHELL KEYING POSITIONS: N, A, B, C, D OR E
- CONTACT PIN STYLE: P = SOLDERCUP, X = EYELET, C = PCB PIN  
CONTACT SOC STYLE: S = SOLDERCUP, Z = EYELET, D = PCB PIN
- INSERT ARRANGEMENT
- SHELL SIZE: 9, 11, 13, 15, 17, 19, 21, 23, OR 25
- CLASS: N = NICKEL PLATE OVER STAINLESS STEEL  
Y = ELECTRO-POLISHED STAINLESS STEEL  
H = SAME AS CLASS "Y" BUT SPACE GRADE
- SHELL MOUNTING STYLE: 20 = BOX FLANGE MOUNT
- BASIC IDENTIFIER: 38999 SERIES III HERMETIC RECEPTACLE



1. DIMENSIONS ARE INCHES UNLESS OTHERWISE NOTED
2. INSERT ARRANGEMENT CONFORMS TO MIL-STD-1560
3. LEAK RATE: <IE-8 cc/sec He @ 1 atm
4. FINISH: SHELL: N = NICKEL PLATE  
Y = ELECTRO-POLISHED  
H = ELECTRO-POLISHED

CONTACTS: GOLD OVER NICKEL

5. MATERIAL: SHELL - STAINLESS STEEL  
PIN CONTACTS - HIGH NICKEL IRON ALLOY OR EQUIVALENT  
GLASS - COMPRESSION GLASS  
PIN INSERT & INTERNAL SEAL - FLUROSILICONE ELASTOMER

6. MATES WITH DTS26 SERIES PLUG CONNECTOR
7. CONNECTOR MEETS REQUIREMENT OF MIL-DTL-38999 SERIES III
8. CONSULT CUSTOMER SERVICE FOR ARRANGEMENT AVAILABILITY

9. MOUNTING INFORMATION: DIMENSION "B" FRONT OR REAR PANEL MOUNT  
DIMENSION "C" FRONT PANEL MOUNT ONLY

SHELL SIZE	A	B	C	D	E	F THREAD	G
9	.937	.719	.594	.128	.216	.6250	.444
11	1.032	.812	.719	.128	.194	.7500	.572
13	1.126	.906	.812	.128	.194	.8750	.684
15	1.221	.969	.906	.128	.173	1.0000	.808
17	1.311	1.062	.969	.128	.194	1.1875	.934
19	1.437	1.156	1.062	.128	.194	1.2500	1.039
21	1.563	1.250	1.156	.128	.194	1.3750	1.164
23	1.689	1.375	1.250	.154	.242	1.5000	1.289
25	1.811	1.500	1.375	.154	.242	1.6250	1.414

MC: 72	FINISH:
DESCRIPTION: CONNECTOR, RECEPTACLE	
HERMETIC SQUARE FLANGE MOUNT THREAD COUPLING MIL-DTL-38999/21	
ENVELOPE	
CP	CAGE CODE 11139
PART TO HAVE NO BURRS OR SHARP EDGES	

THIS DRAWING IS A CONTROLLED DOCUMENT.		DWN 05SEP2019 JUAN MONTEMAYOR	TE Connectivity	
DIMENSIONS: in		CHK 05SEP2019 ENRIQUE OCHOA		
TOLERANCES UNLESS OTHERWISE SPECIFIED: 0 PLC ±.1 1 PLC ±.02 2 PLC ±.005 3 PLC ±.0005 4 PLC ±.0005 ANGLES ±.5°		APVD 05SEP2019 ENRIQUE OCHOA	NAME CONNECTOR, RECEPTACLE	
MATERIAL SEE NOTE 5		FINISH SEE NOTE 4	PRODUCT SPEC -	APPLICATION SPEC -
CUSTOMER DRAWING		SCALE 6:1	SHEET 1 OF 1	REV C