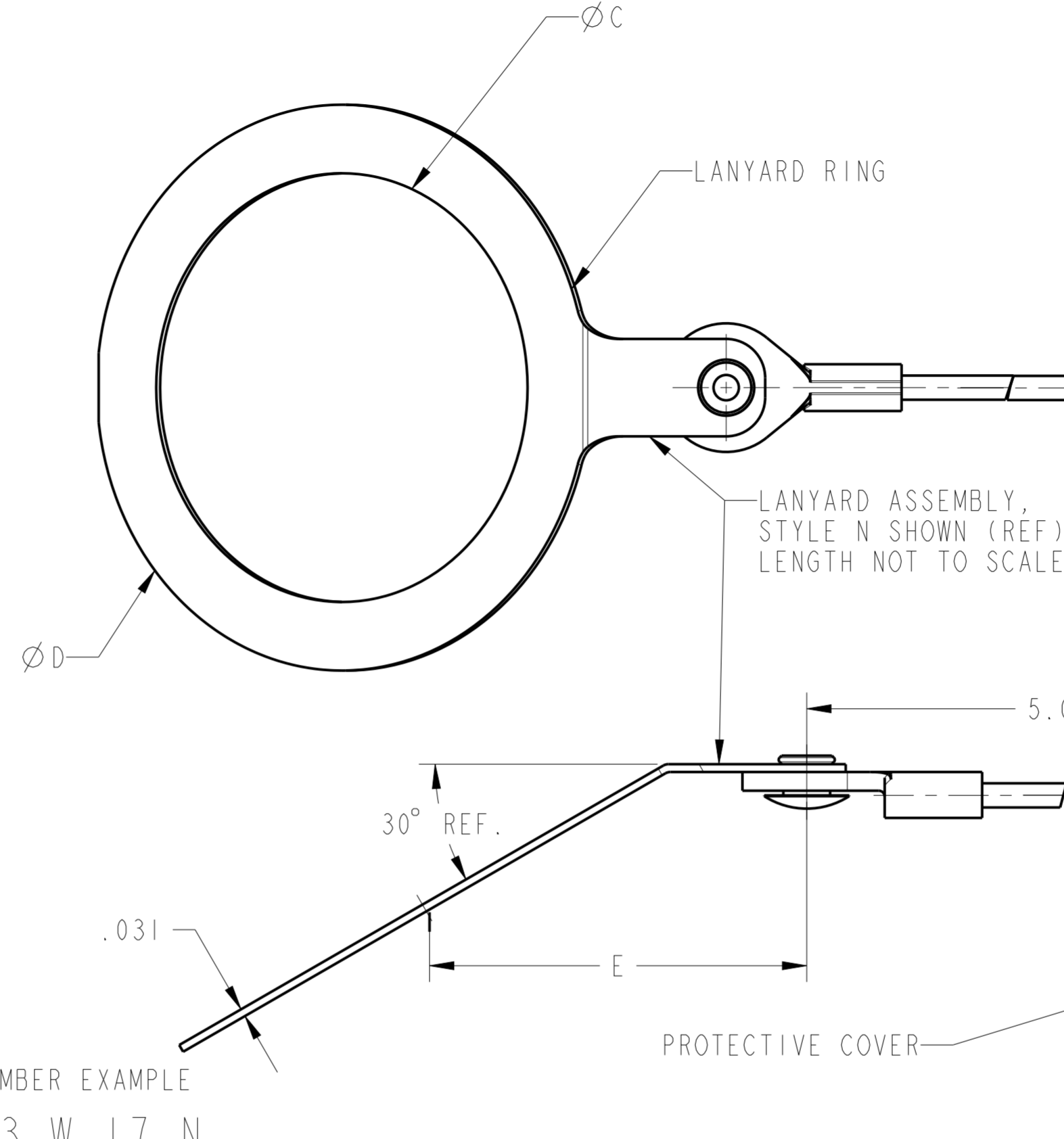
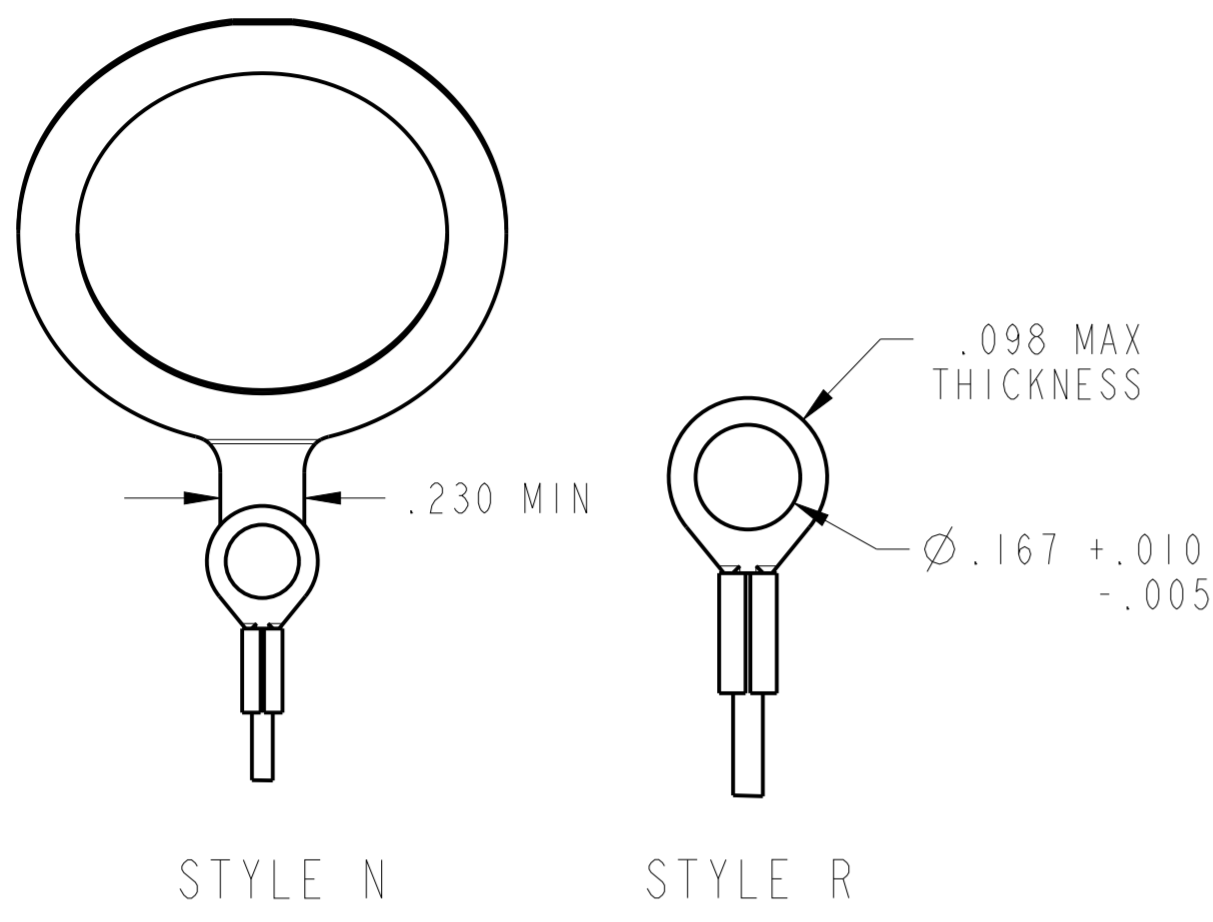
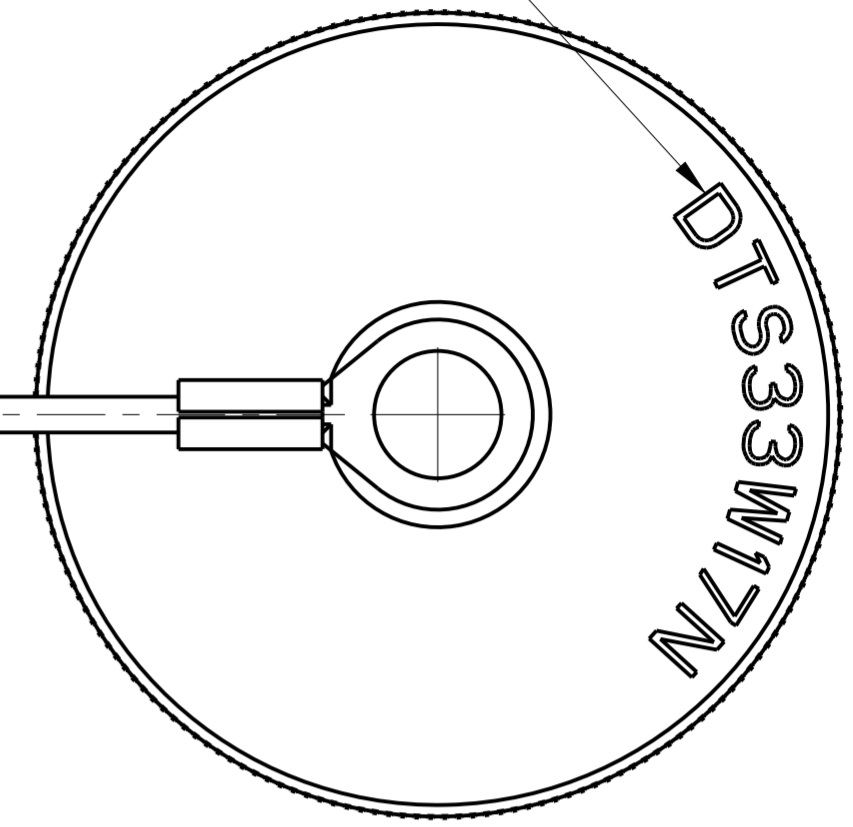


THIS DRAWING IS UNPUBLISHED. RELEASED FOR PUBLICATION 180227
 © COPYRIGHT 180227 BY TYCO CONNECTORS ALL RIGHTS RESERVED.

PROPERTY OF TE CONNECTIVITY
 THIS INFORMATION IS CONFIDENTIAL AND PROPRIETARY TO TYCO ELECTRONICS CORPORATION
 AND ITS WORLDWIDE SUBSIDIARIES AND AFFILIATES (TE). IT MAY NOT BE DISCLOSED TO
 ANYONE OTHER THAN PERSONNEL WITHOUT AUTHORIZATION FROM TE (www.COM.com).

| REVISIONS | | | | | |
|-----------|-----|---------------------------|------------|-----|------|
| P | LTR | DESCRIPTION | DATE | DWN | APVD |
| A | | AS PER ECO-18-011680 | 24JULY2018 | NGP | NR |
| B | | REVISED PER ECO-19-002136 | 12FEB2019 | DCB | NR |
| C | | REVISED PER ECO-20-005904 | 200424 | SS | AR |
| D | | REVISED PER ECO-21-004883 | 210421 | DM | AR |

PART NUMBER EXAMPLE



MILITARY PART NUMBER EXAMPLE

D38999/33 W 17 N

STYLE N = RING
 R = ROPE
 SHELL SIZE
 CLASS F = NICKEL
 T = TEFLON NICKEL
 W = OLIVE DRAB CADMIUM
 Z = ZINC NICKEL

SERIES MIL-DTL-38999/33

TE PART NUMBER EXAMPLE

DTS33 W 17 N

STYLE N = RING
 R = ROPE
 SHELL SIZE
 CLASS F = NICKEL
 T = TEFLON NICKEL
 W = OLIVE DRAB CADMIUM
 Z = ZINC NICKEL

SERIES MIL-DTL-38999/33 TYPE

| PART NUMBER | SHELL SIZE | B DIA REF | C DIA REF | D DIA REF | E REF |
|-------------|------------|-----------|-----------|-----------|-------|
| DTS33x09x | 09 | 0.812 | 0.719 | 1.051 | .761 |
| DTS33x11x | 11 | 0.950 | 0.890 | 1.051 | .761 |
| DTS33x13x | 13 | 1.088 | 0.999 | 1.441 | .960 |
| DTS33x15x | 15 | 1.166 | 1.205 | 1.441 | 1.034 |
| DTS33x17x | 17 | 1.323 | 1.275 | 1.614 | 1.055 |
| DTS33x19x | 19 | 1.442 | 1.579 | 1.790 | 1.228 |
| DTS33x21x | 21 | 1.560 | 1.579 | 1.790 | 1.228 |
| DTS33x23x | 23 | 1.678 | 1.688 | 2.031 | 1.289 |
| DTS33x25x | 25 | 1.836 | 1.765 | 2.177 | 1.328 |

2. OPTION N TO BE ROPE WITH LARGE RING, SEE TABLE.

1. MATERIAL/FINISH
 PLUG PROTECTIVE COVER - ALUMINUM ALLOY/PLATING PER
 PART NUMBER CALL OUT.
 LANYARD RING - STAINLESS STEEL

NOTES: UNLESS OTHERWISE SPECIFIED.

THIS DRAWING IS A CONTROLLED DOCUMENT.

DIMENSIONS: INCHES

TOLERANCES UNLESS OTHERWISE SPECIFIED:

| | |
|--------|------------|
| 0 PLC | ±.1 |
| 1 PLC | ±.01 |
| 2 PLC | ±.005 |
| 3 PLC | ±.0005 |
| 4 PLC | ±.0005 |
| ANGLES | ±.5° |
| FINISH | SEE NOTE 1 |

MATERIAL: SEE NOTE 1

APVD: ALEX RENGIFO

PRODUCT SPEC: -

APPLICATION SPEC: -

WEIGHT: -

CUSTOMER DRAWING

DWN: SAMUEL S. 180312

CHK: SAMUEL S. 180312

APVD: ALEX RENGIFO 190312

NAME: RECEPTACLE, PROTECTIVE COVER MIL-DTL-38999/33 TYPE ENVELOPE

SIZE: A2

CAGE CODE: 00779

DRAWING NO: DTS33xxx

RESTRICTED TO: -

SCALE: 3.500

SHEET: 1 OF 1

REV: D

STE TE Connectivity