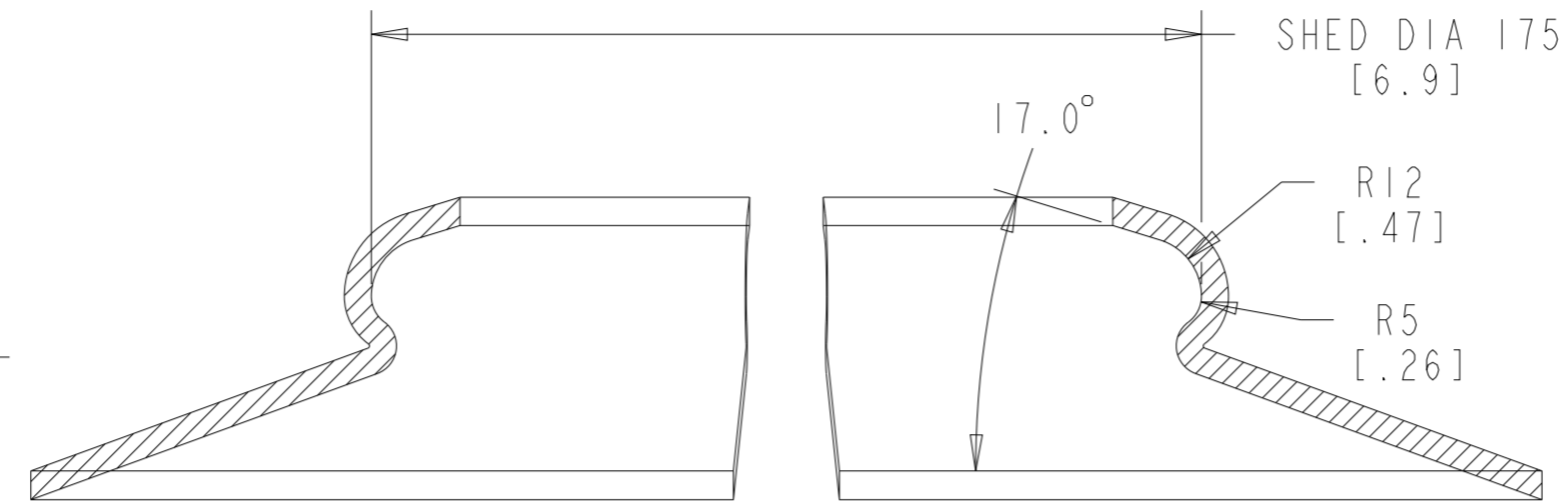
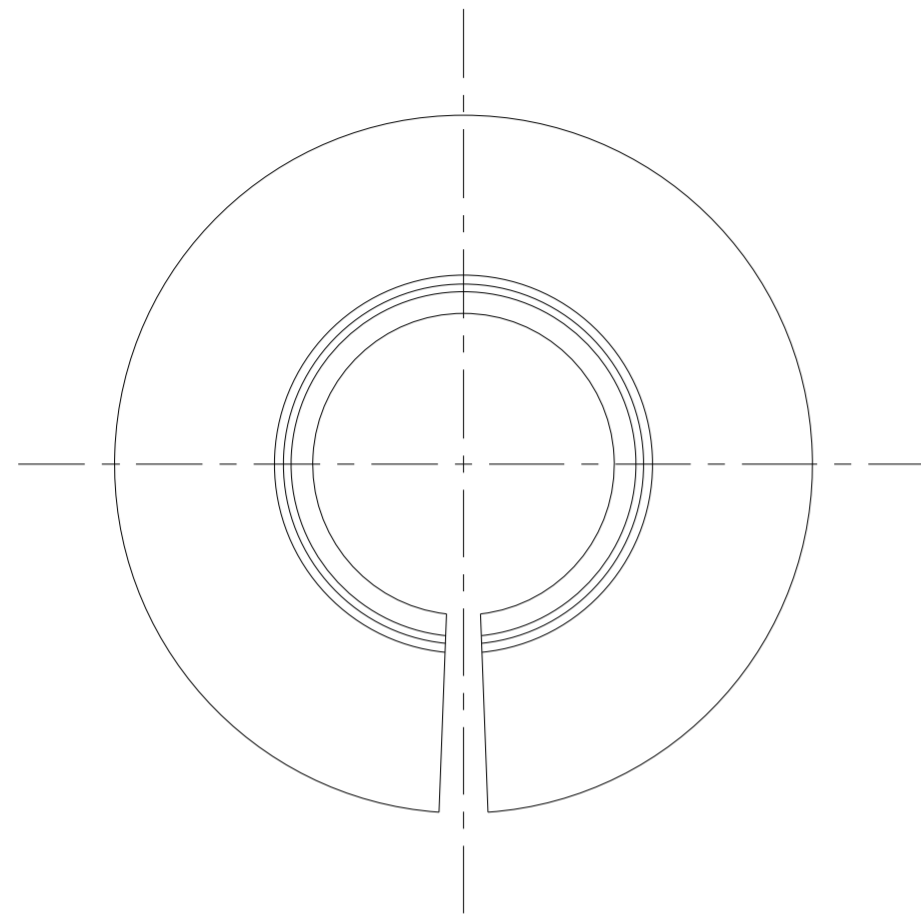
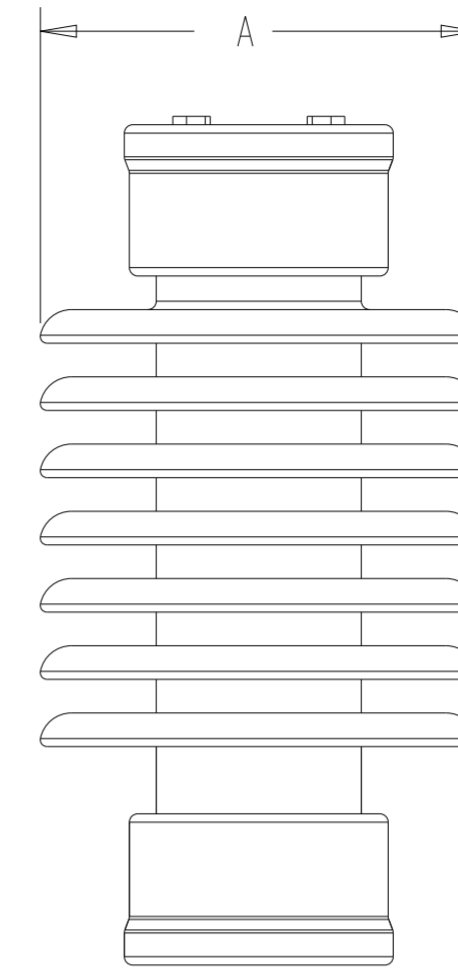


P	LTR	DESCRIPTION	DATE	DWN	APVD
A		INITIAL RELEASE	27FEB2020	AS	LH
B		TYPO CORRECTION	24NOV2022	HM	LH
B1		REVISED PER ECN-24-273663	07MAY2024	MT	LH
B2		TCPN ADDED	02SEP2024	SP	MP



TYPICAL CROSS SECTION OF AN HVCE-WA



Product Selection Information: IN mm (INCH)				Product Selection Information: IN mm (INCH)				Product Selection Information: IN mm (INCH)			
TCPN	Description	Shed Diameter of Insulator A	Standard Pack	TCPN	Description	Shed Diameter of Insulator A	Standard Pack	TCPN	Description	Shed Diameter of Insulator A	Standard Pack
149531-000	HVCE-WA-175-02-FT (B6)	175 (6.90)	6	CA4779-000	HVCE-WA-326-01 (B6)	326 (12.83)	6	588018-000	HVCE-WA-463-01 (B6)	463 (18.23)	6
CB7962-000	HVCE-WA-206-01 (B6)	206 (8.11)	6	CF8196-000	HVCE-WA-330-01 (B3)	330 (13.00)	3	167138-000	HVCE-WA-482-01 (B3)	482 (16.98)	3
563594-000	HVCE-WA-216-01 (B6)	216 (8.50)	6	427938-000	HVCE-WA-336-01 (B6)	336 (13.23)	6	CM7839-000	HVCE-WA-488-01 (B6)	488 (19.21)	6
023630-000	HVCE-WA-221-01 (B6)	221 (8.70)	6	191404-000	HVCE-WA-341-01 (B6)	341 (13.39)	6	950158-000	HVCE-WA-501-01 (B6)	501 (19.72)	6
CA3839-000	HVCE-WA-226-01 (B6)	226 (8.90)	6	CA4780-000	HVCE-WA-348-01 (B6)	348 (13.70)	6	E56017-000	HVCE-WA-551-01 (B3)	551 (21.69)	3
052366-000	HVCE-WA-227-01 (B6)	227 (8.94)	6	332116-000	HVCE-WA-349-01 (B6)	349 (13.74)	6	CA3845-000	HVCE-WA-611-01 (B6)	611 (24.05)	6
CL9095-000	HVCE-WA-234-01 (B6)	234 (9.21)	6	284276-000	HVCE-WA-356-01 (B6)	356 (14.02)	6	CU2189-000	HVCE-WA-275-01 (B6)	391 (15.4)	6
351475-000	HVCE-WA-244-01-FT (B6)	244 (9.61)	6	CF8199-000	HVCE-WA-359-01 (B3)	359 (14.13)	3				
557088-000	HVCE-WA-248-01 (B6)	248 (9.76)	6	CB1032-000	HVCE-WA-364-01 (B6)	364 (14.33)	6				
CB7963-000	HVCE-WA-251-01 (B6)	251 (9.88)	6	428796-000	HVCE-WA-372-01 (B6)	372 (14.65)	6				
305880-000	HVCE-WA-255-01 (B6)	255 (10.04)	6	070970-000	HVCE-WA-377-01 (B6)	377 (14.84)	6				
115780-000	HVCE-WA-267-01 (B6)	267 (10.51)	6	CL6421-000	HVCE-WA-381-01 (B6)	381 (15.00)	6				
CB7964-000	HVCE-WA-271-01 (B6)	271 (10.67)	6	CJ7526-000	HVCE-WA-393-01 (B6)	393 (15.47)	6				
468253-000	HVCE-WA-280-01-FT(B6)	280 (11.02)	6	141596-000	HVCE-WA-407-01 (B6)	407 (15.98)	6				
CL2470-000	HVCE-WA-281-01 (B6)	281 (11.06)	6	CB1033-000	HVCE-WA-413-01 (B6)	413 (16.26)	6				
576424-000	HVCE-WA-287-01 (B6)	287 (11.30)	6	232200-000	HVCE-WA-421-01 (B6)	421 (16.54)	6				
208392-000	HVCE-WA-292-01 (B6)	292 (11.50)	6	E10821-000	HVCE-WA-440-01 (B6)	440 (17.32)	6				
457578-000	HVCE-WA-303-01 (B6)	303 (11.93)	6	317932-000	HVCE-WA-452-01 (B6)	452 (17.60)	6				
CB1030-000	HVCE-WA-323-01 (B6)	323 (12.72)	6	CJ5744-000	HVCE-WA-457-01 (B6)	457 (18.00)	6				

NOTES:

- EACH EXTENDER ADDS 6" TO THE CREEPAGE LENGTH.
- SEE PRODUCT DATASHEET EPP-2606 FOR ALL OTHER INFORMATION.

THIS DRAWING IS A CONTROLLED DOCUMENT.

DWN	A. SABARAD	27FEB2020
CHK	S. LIGHT	27FEB2020
APVD	L. HILLER	27FEB2020

**STE** TE Connectivity

NAME: HIGH VOLTAGE WRAP-AROUND CREEPAGE EXTENDER (HVCE-WA)

SIZE	CAGE CODE	DRAWING NO	RESTRICTED TO
A2	00779	E00000815	

RESTRICTED CUSTOMER