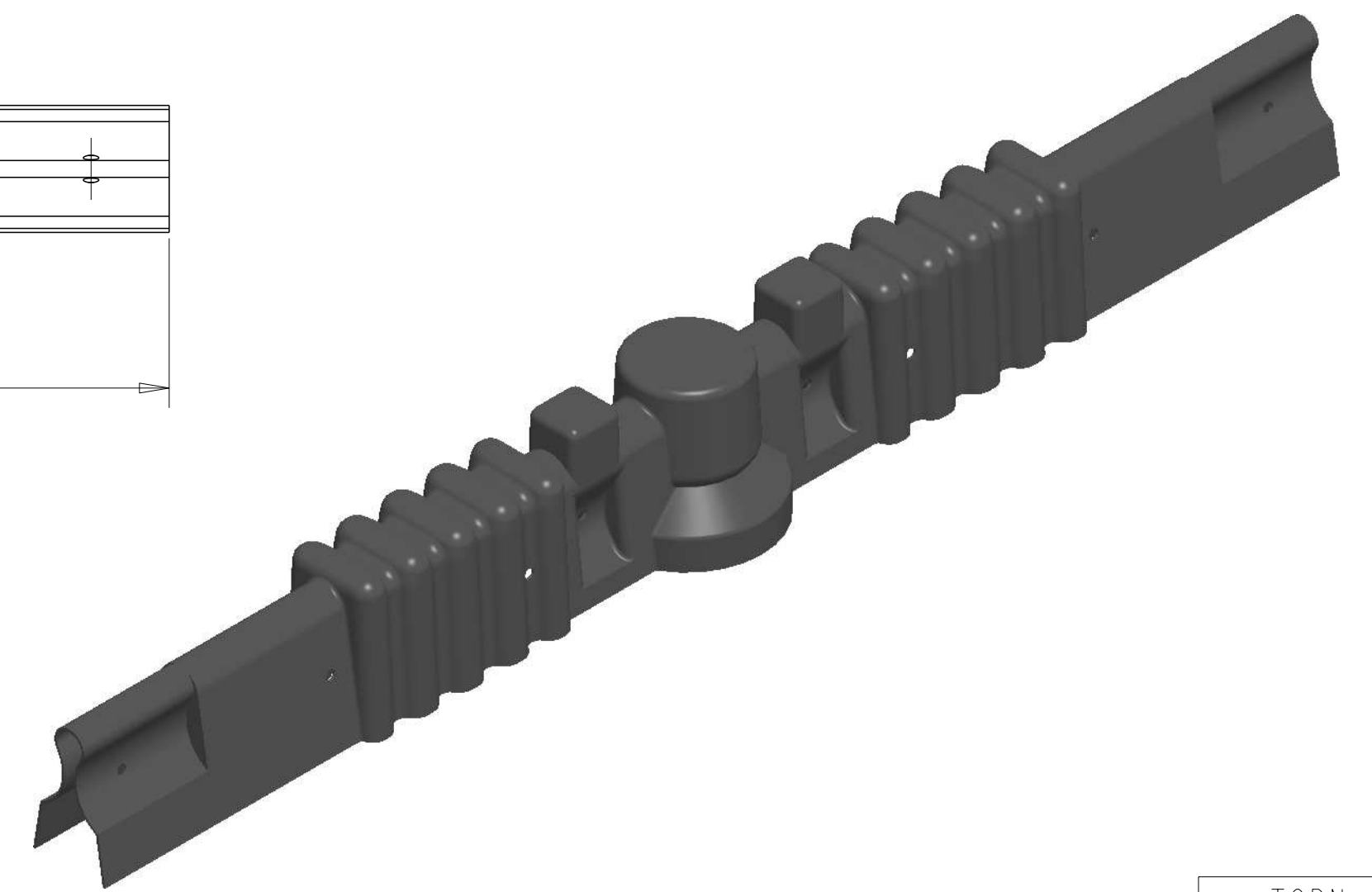
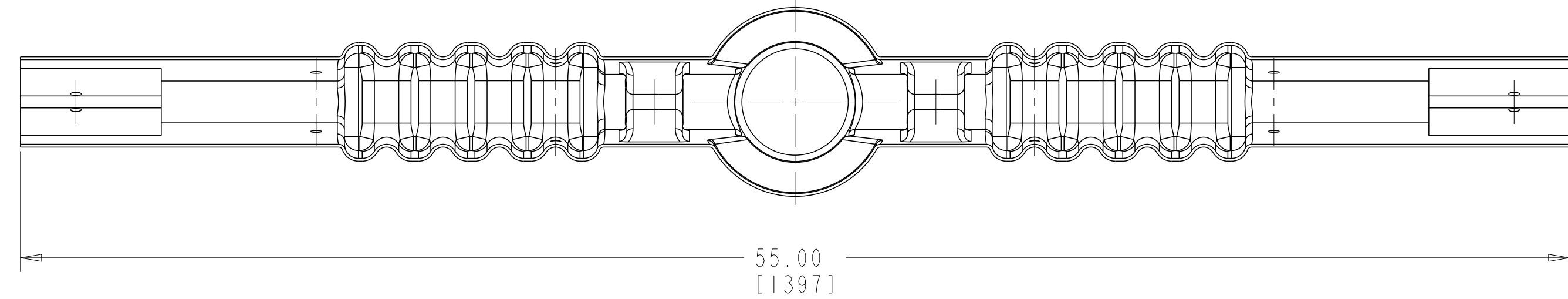
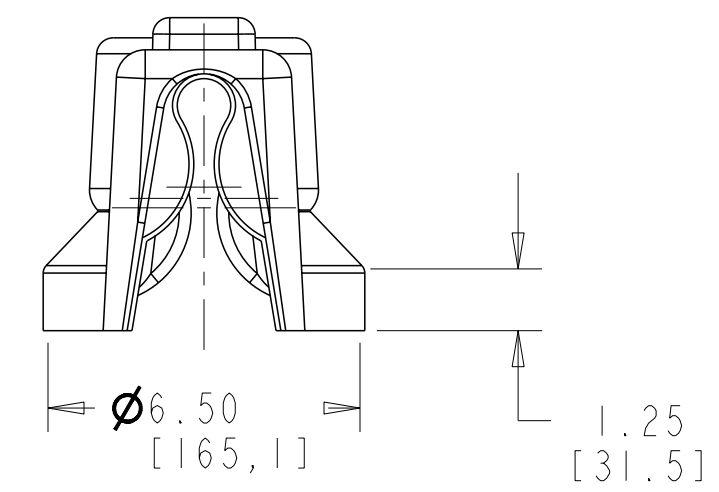
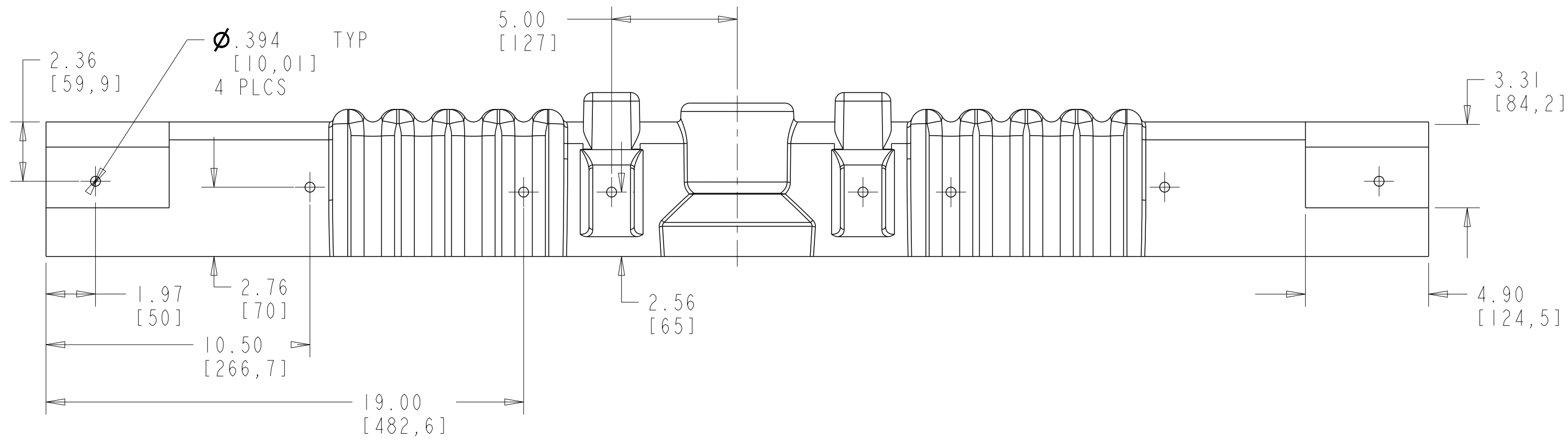


P	LTR	DESCRIPTION	DATE	DWN	APVD
A		INITIAL RELEASE	21APR2020	AS	LH



NOTES:

- PARTS SHALL BE KITTED 36 PIECES PER BOX.
- EACH BOX SHALL BE LABELLED WITH DESCRIPTION, LOT NUMBER, PART NUMBER, MANUFACTURING DATE AND QUANTITY

TCPN
CR2257-005

THIS DRAWING IS A CONTROLLED DOCUMENT.		DWN A. SABARAD 21APR2020	TE Connectivity															
DIMENSIONS: INCH(MM)		CHK S. LIGHT 21APR2020																
TOLERANCES UNLESS OTHERWISE SPECIFIED:		APVD L. HILLER 21APR2020	NAME BCIC-1219-PE-(S36)															
<table border="1"> <tr><td>0 PLC</td><td>±</td></tr> <tr><td>1 PLC</td><td>±0.1</td></tr> <tr><td>2 PLC</td><td>±0.01</td></tr> <tr><td>3 PLC</td><td>±0.001</td></tr> <tr><td>4 PLC</td><td>±0.0001</td></tr> <tr><td>ANGLES</td><td>±</td></tr> <tr><td>FINISH</td><td>-</td></tr> </table>		0 PLC	±	1 PLC	±0.1	2 PLC	±0.01	3 PLC	±0.001	4 PLC	±0.0001	ANGLES	±	FINISH	-	PRODUCT SPEC -	SIZE A2	CAGE CODE 00779
0 PLC	±																	
1 PLC	±0.1																	
2 PLC	±0.01																	
3 PLC	±0.001																	
4 PLC	±0.0001																	
ANGLES	±																	
FINISH	-																	
MATERIAL -		APPLICATION SPEC -	DRAWING NO E00000826	RESTRICTED TO -														
		WEIGHT -	SCALE NTS															
		CUSTOMER DRAWING	SHEET 1 OF 1 REV A															