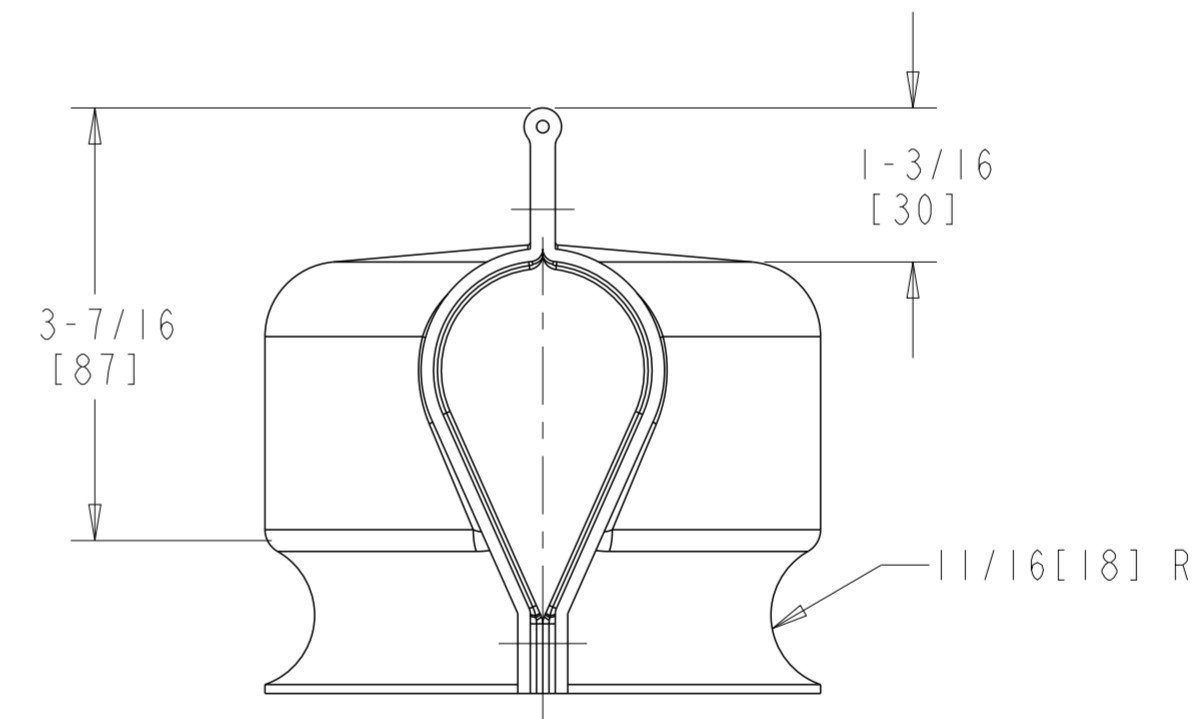
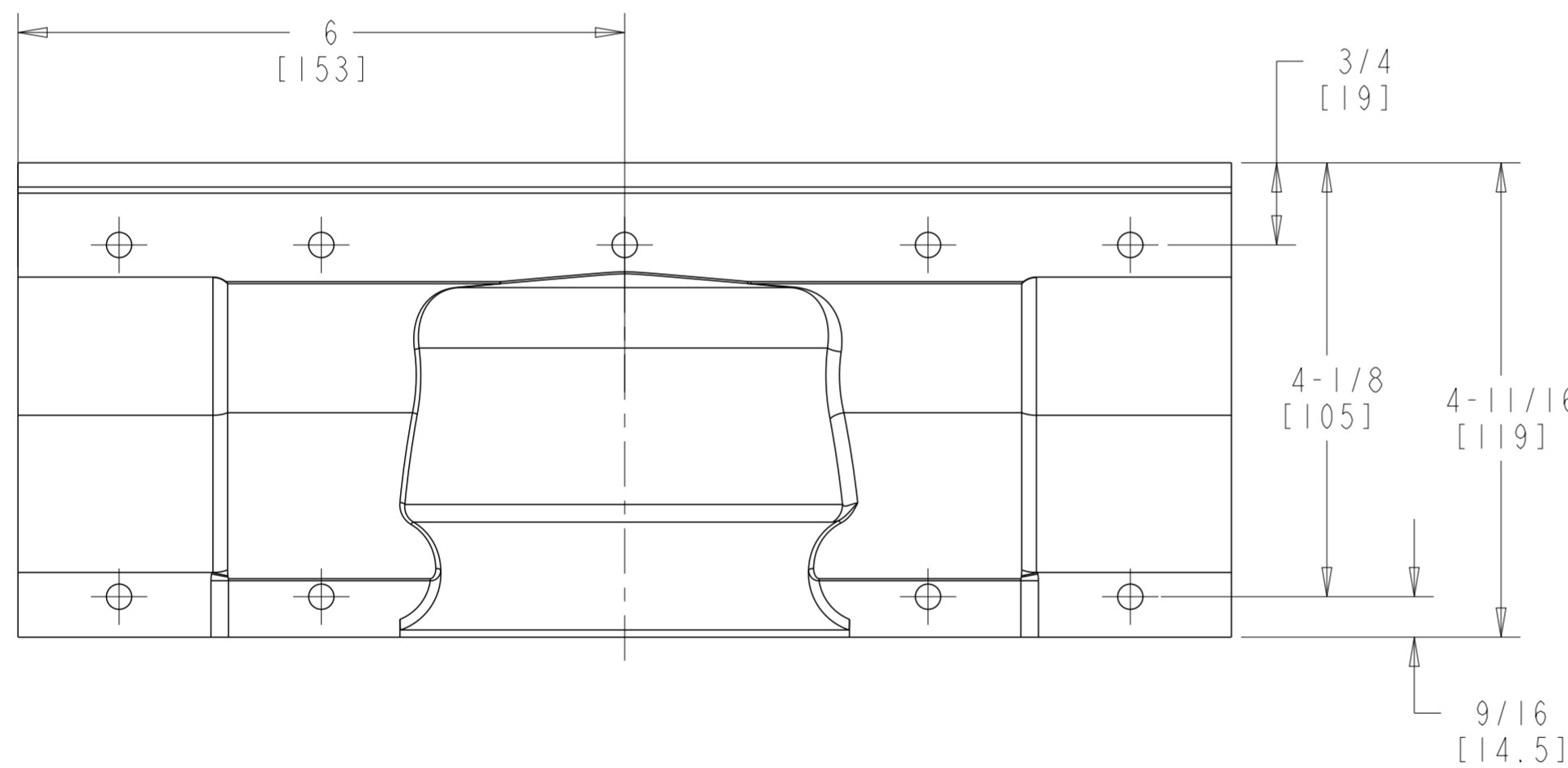
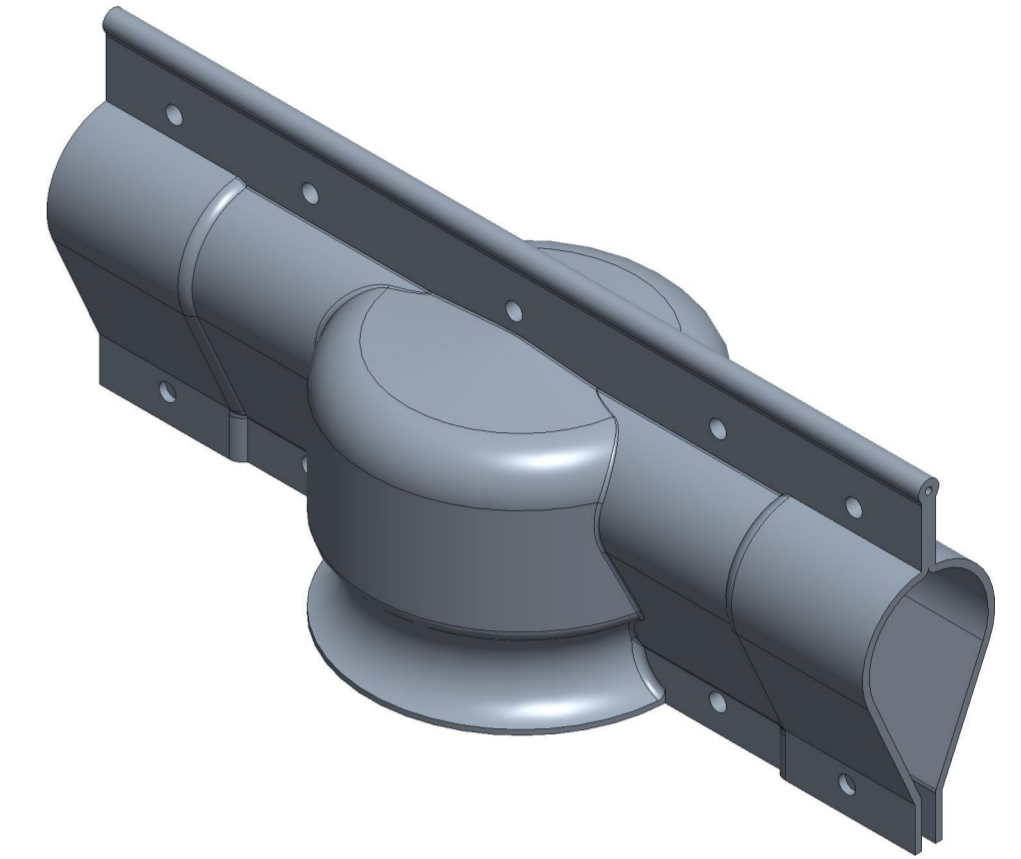
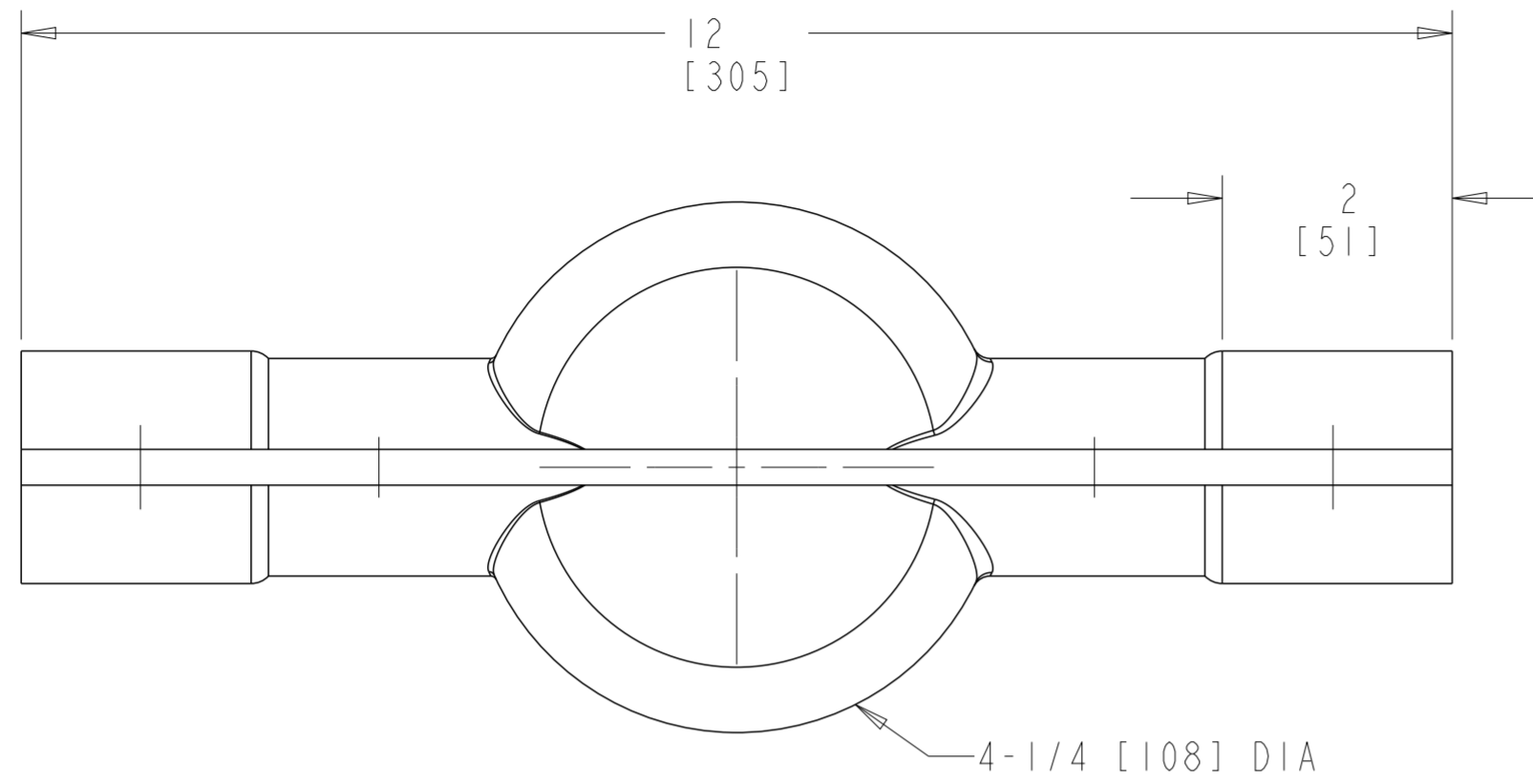


REVISIONS					
P	LTR	DESCRIPTION	DATE	DWN	APVD
A		INITIAL RELEASE	20APR2020	AS	LH
B		TYPO CORRECTION	24NOV2022	HM	LH
BI		REVISED PER ECN-24-281048	07AUG2024	MT	LH



NOTES:

- PARTS SHALL BE KITTED 3 PIECES PER BOX.
- PART SHALL BE KITTED WITH 10 BCIC LATCH.
- EACH BOX SHALL BE LABELLED WITH DESCRIPTION, LOT NUMBER, PART NUMBER, MANUFACTURING DATE AND QUANTITY.

TCPN	DESCRIPTION	MATERIAL
029173-000	BCIC-3212-01(B3)	RED
CX3874-000	BCIC-G-3212-01(B3)	GRAY

THIS DRAWING IS A CONTROLLED DOCUMENT.		DWN A. SABARAD 20APR2020	TE Connectivity NAME: BCIC-3212-01(B3)	
DIMENSIONS: INCH(MM)		CHK S. LIGHT 20APR2020		
TOLERANCES UNLESS OTHERWISE SPECIFIED:		APVD L. HILLER 20APR2020	RESTRICTED TO	
0 PLC ± 1 PLC ±0.1 2 PLC ±0.02 3 PLC ±0.005 4 PLC ±0.0005 ANGLES ± FINISH -		PRODUCT SPEC -	SIZE A2	CAGE CODE 00779
MATERIAL -		APPLICATION SPEC -	DRAWING NO E00000830	SCALE NTS
-		WEIGHT -	SHEET 1	REV BI