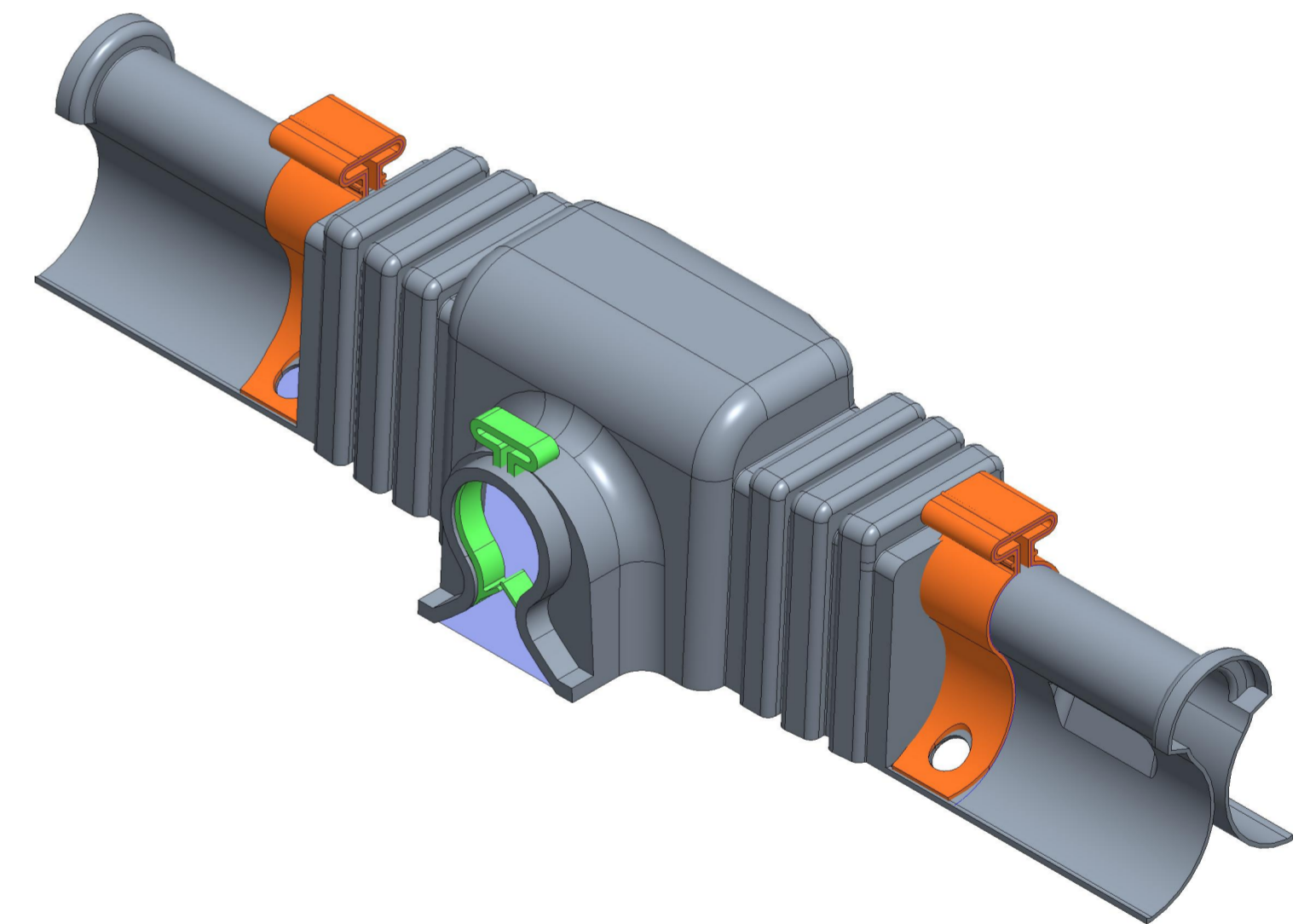
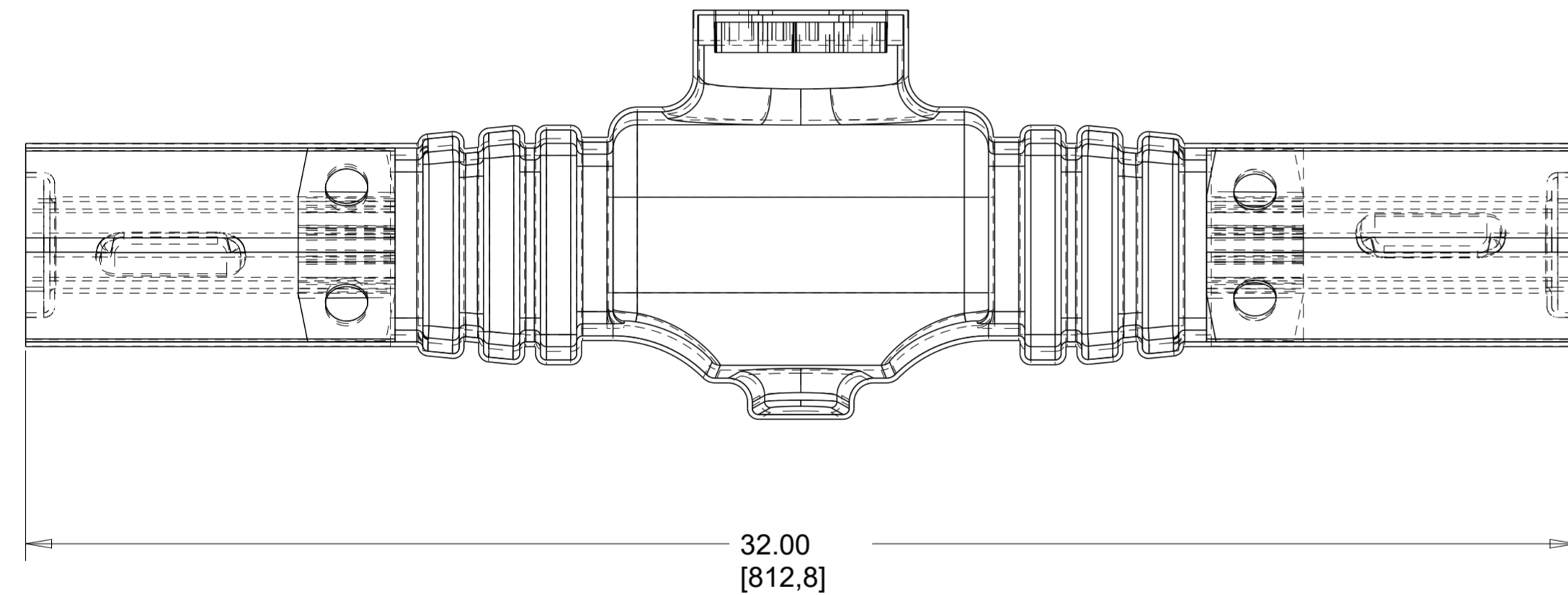
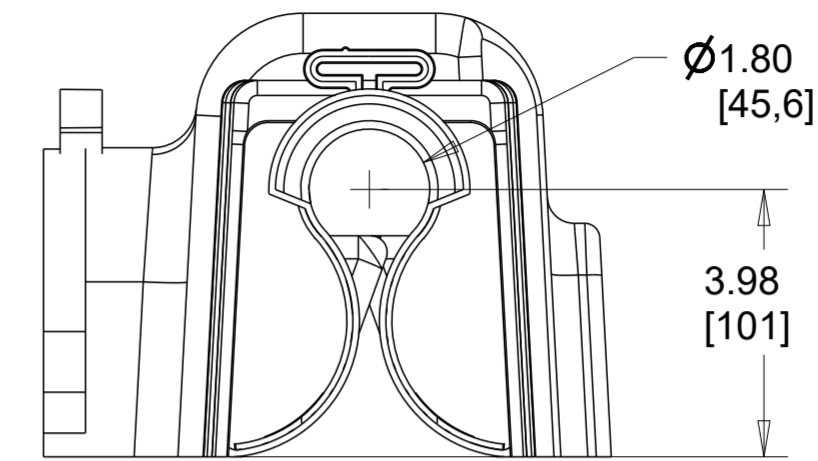
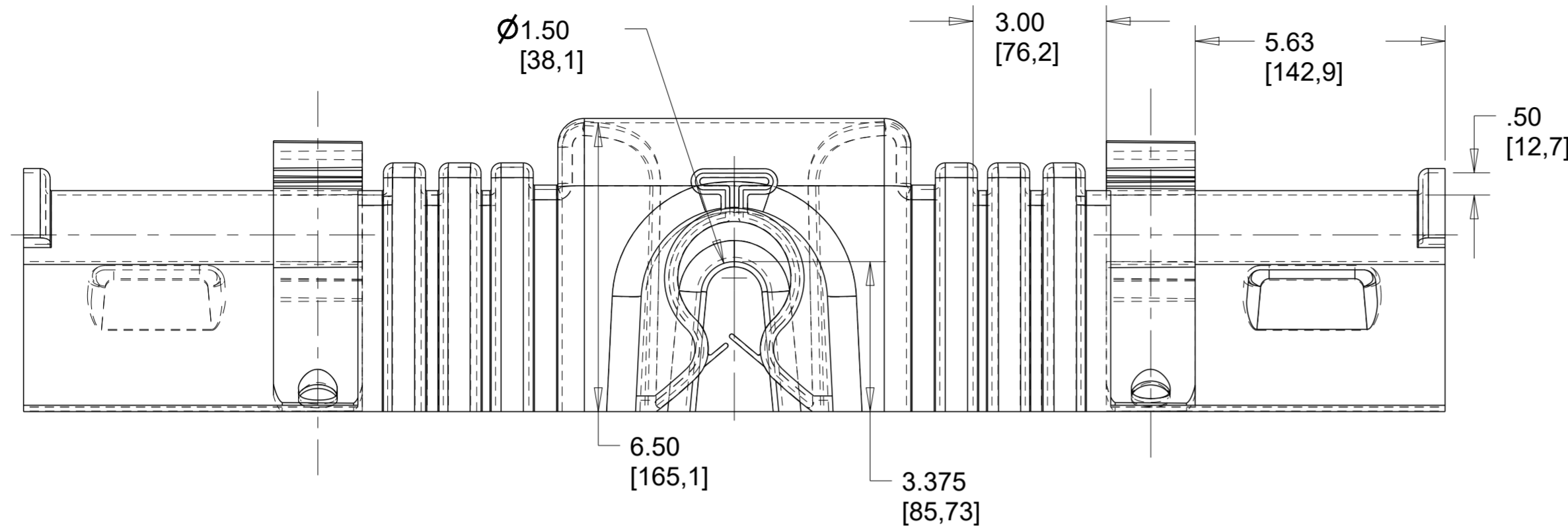


| REVISIONS |     |                 |           |     |      |
|-----------|-----|-----------------|-----------|-----|------|
| P         | LTR | DESCRIPTION     | DATE      | DWN | APVD |
| A         |     | INITIAL RELEASE | 30MAY2020 | AS  | LH   |
|           |     |                 |           |     |      |
|           |     |                 |           |     |      |



NOTES:

- 1. PARTS SHALL BE KITTED 6 PIECES PER BOX.
- 2. PARTS SHALL BE KITTED WITH PII-55420.
- 3. EACH BOX SHALL BE LABELLED WITH DESCRIPTION, LOT NUMBER, PART NUMBER, MANUFACTURING DATE AND QUANTITY

TCPN  
D63258-000

|  |  |                                |                              |  |
|--|--|--------------------------------|------------------------------|--|
| THIS DRAWING IS A CONTROLLED DOCUMENT. |  | DWN<br>A. SABARAD<br>30MAY2020 |                              |  |
| DIMENSIONS:<br>INCH(MM)                |  | CHK<br>S. LIGHT<br>30MAY2020   |                              |  |
| TOLERANCES UNLESS OTHERWISE SPECIFIED: |  | APVD<br>L. HILLER<br>30MAY2020 | NAME<br>BCIC-G-HZ-795-01(B6) |  |
| 0 PLC ±                                |  | PRODUCT SPEC                   | SIZE                         |  |
| 1 PLC ±0.1                             |  | APPLICATION SPEC               | CAGE CODE                    |  |
| 2 PLC ±0.01                            |  | WEIGHT                         | DRAWING NO                   |  |
| 3 PLC ±0.001                           |  |                                | RESTRICTED TO                |  |
| 4 PLC ±0.0001                          |  |                                | A2 00779                     |  |
| ANGLES ±                               |  |                                | C-E00000841                  |  |
| FINISH                                 |  |                                | SCALE NTS                    |  |
| MATERIAL                               |  |                                | SHEET 1 OF 1                 |  |
|  |  |                                | REV A                        |  |
|  |  |                                | CUSTOMER DRAWING             |  |