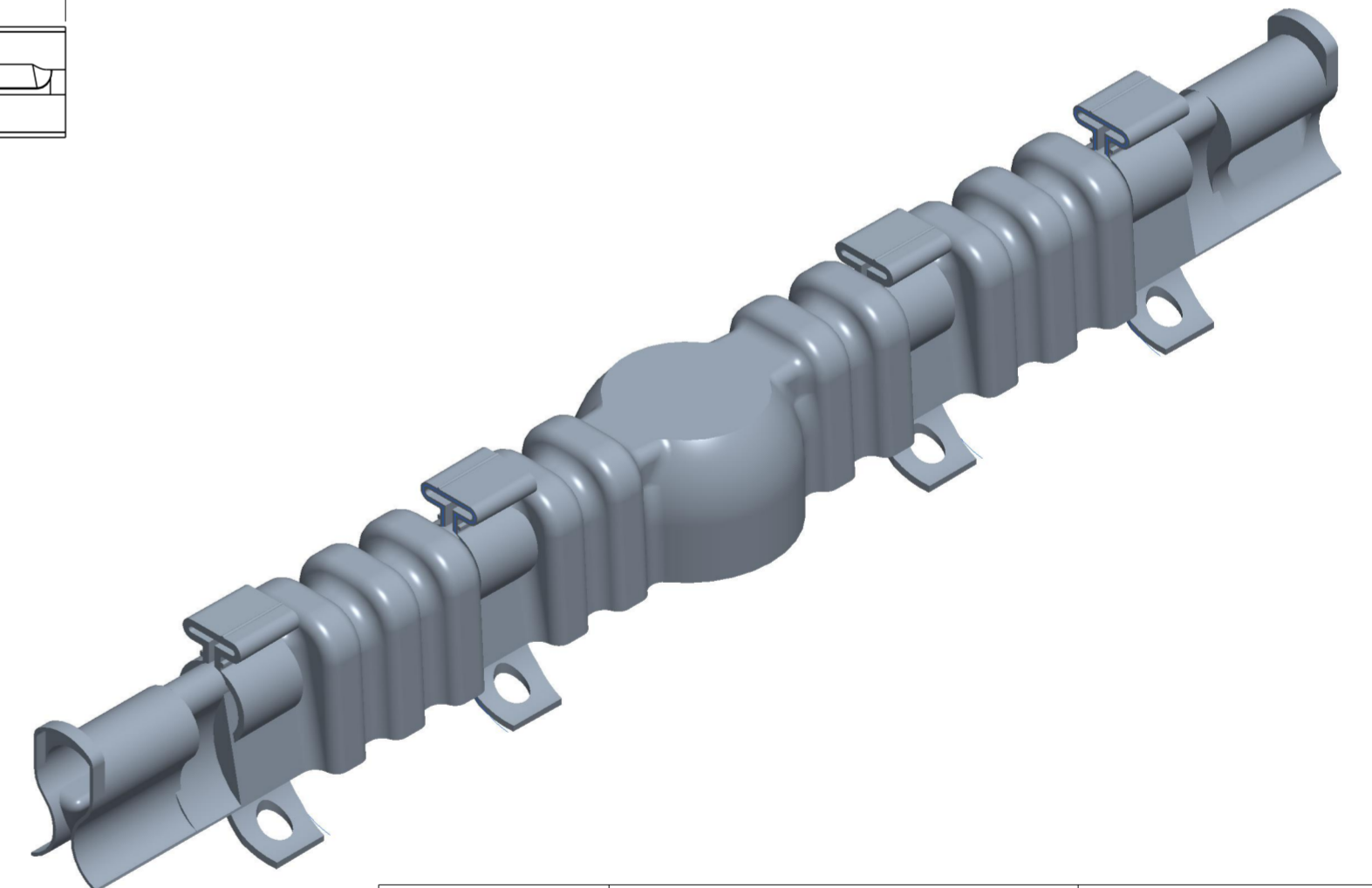
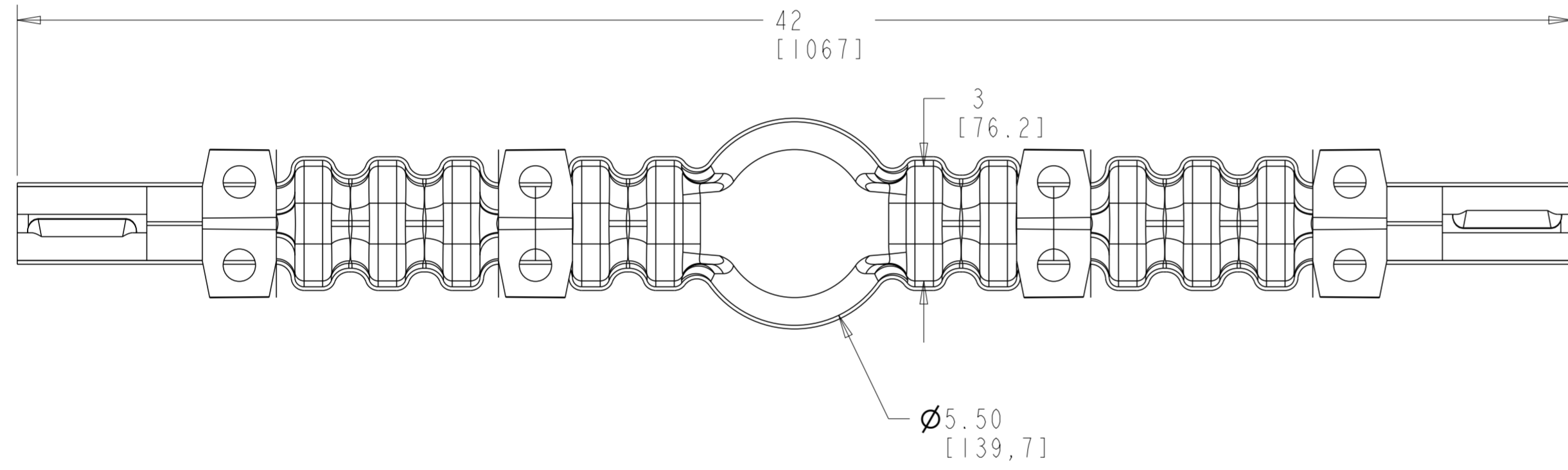
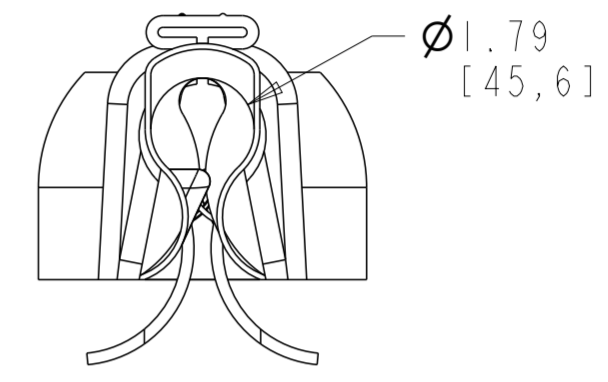
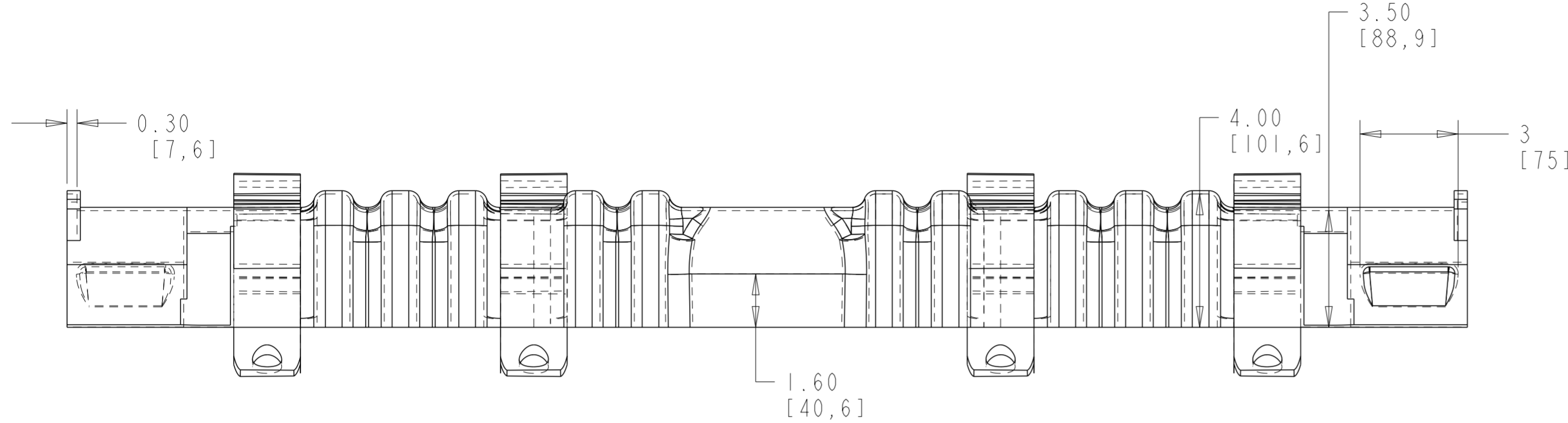


| P | LTR | DESCRIPTION | DATE | DWN | APVD |
|----|-----|------------------------|-----------|-----|------|
| A | | INITIAL RELEASE | 21APR2020 | AS | LH |
| AI | | REV. PER ECN-24-273738 | 03MAY2024 | SP | LH |



NOTES:

- PARTS SHALL BE KITTED 6 PIECES PER BOX.
- EACH BOX SHALL BE LABELLED WITH DESCRIPTION, LOT NUMBER, PART NUMBER, MANUFACTURING DATE AND QUANTITY

| TCPN | DESCRIPTION | MATERIAL |
|------------|----------------------|---------------------|
| CP3126-000 | BCIC-G-SMPIN-795(B6) | TE STANDARD GRAY |
| ES3167-000 | BCIC+G-SMPIN-795(B6) | TE STANDARD GRAY VO |

| | | | | |
|--|--------------|--------------------------------|------------------------------|----------------|
| THIS DRAWING IS A CONTROLLED DOCUMENT. | | DWN A. SABARAD 21APR2020 | TE Connectivity | |
| DIMENSIONS: INCH(MM) | | CHK S. LIGHT 21APR2020 | | |
| TOLERANCES UNLESS OTHERWISE SPECIFIED: | | APVD L. HILLER 21APR2020 | NAME BCIC-G-SMPIN-795(B6) | |
| 0 PLC ± | 1 PLC ±0.1 | PRODUCT SPEC | SIZE | |
| 2 PLC ±0.01 | 3 PLC ±0.001 | APPLICATION SPEC | CAGE CODE | |
| 4 PLC ±0.0001 | ANGLES ± | FINISH | DRAWING NO | |
| MATERIAL | | WEIGHT | RESTRICTED TO | |
| - | - | - | A2 00779 C-E00000851 | |
| CUSTOMER DRAWING | | | SCALE | SHEET OF |
| | | | NTS | 1 1 REV AI |