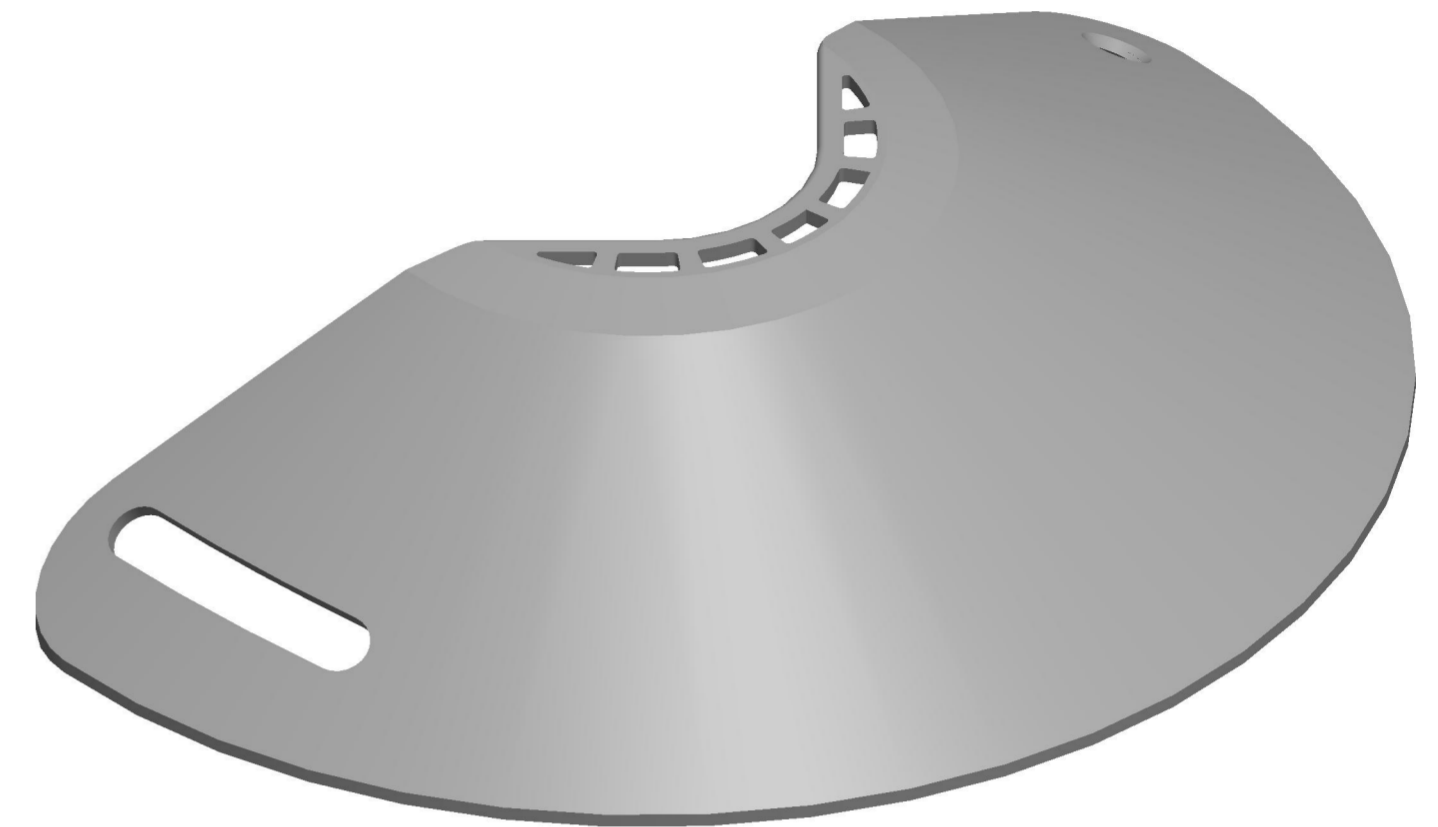
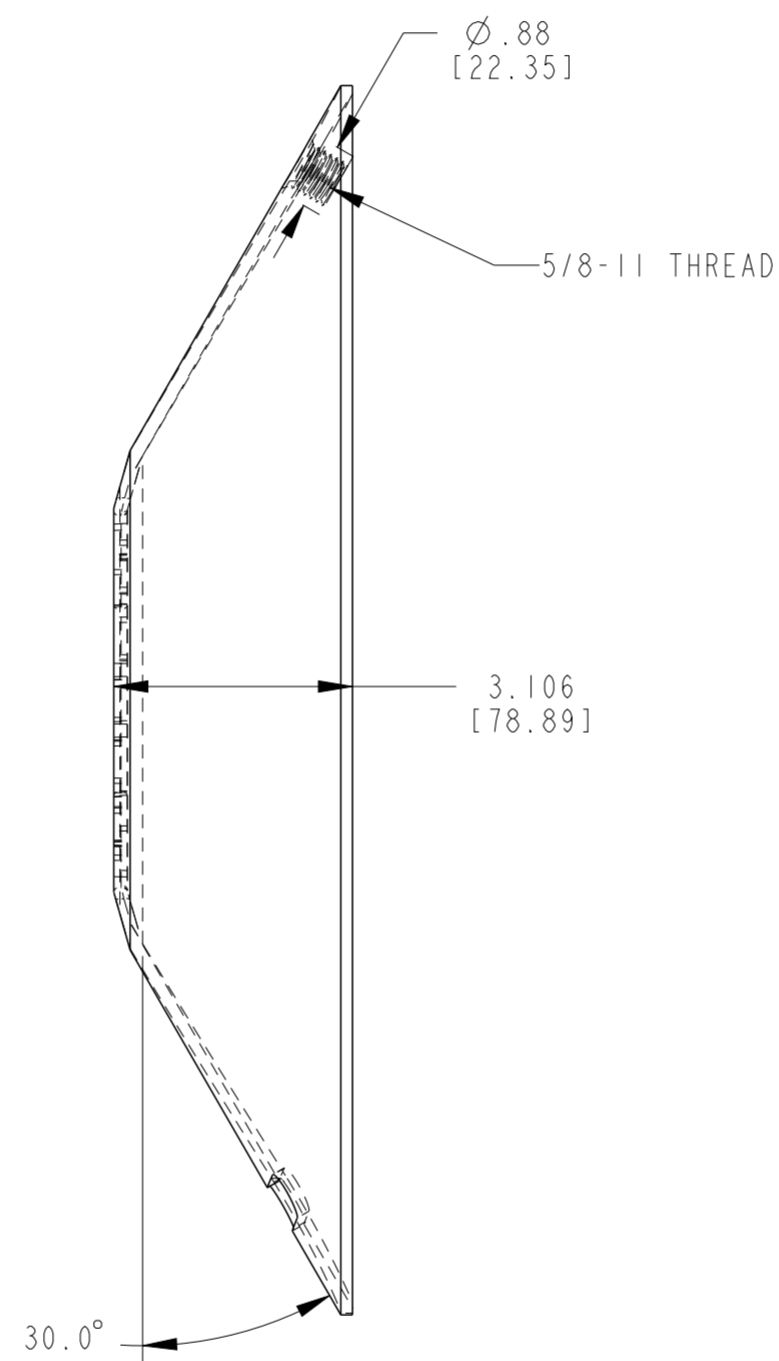
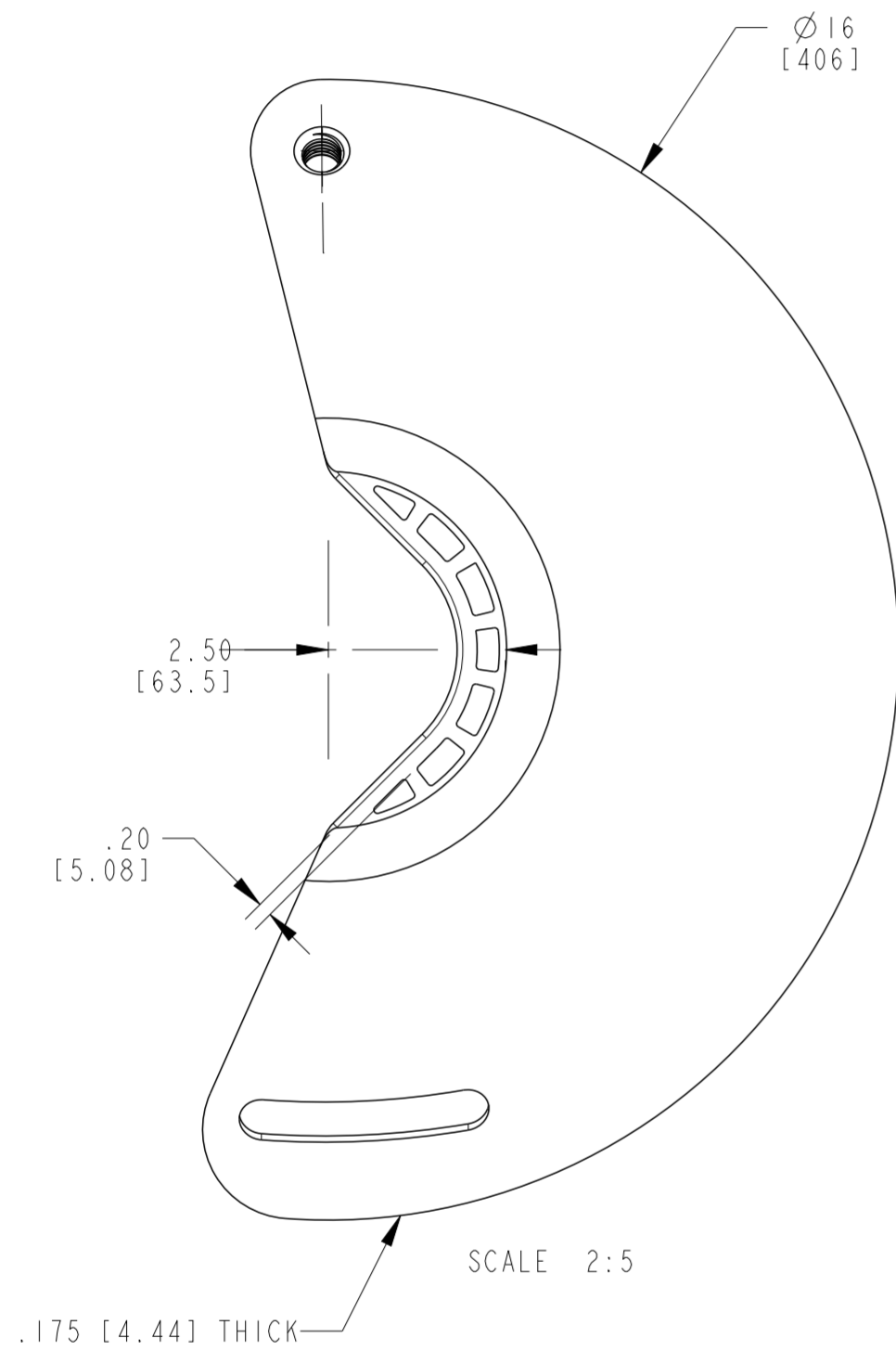


P	LTR	DESCRIPTION	DATE	DWN	APVD
A		INITIAL RELEASE	19MAY2020	AS	LH
B		TYPO CORRECTION	24NOV2022	HM	LH
C		REPLACE P11-70271 WITH EN8565-002	22SEP2023	RS	BG



NOTES:

- PARTS SHALL BE KITTED 6 HALVES PER BOX TO MAKE 3 COMPLETE ASSEMBLIES.
- PARTS SHALL BE KITTED WITH 6 BOLTS, PN 244821-000 AND EN8565-002.
- EACH BOX SHALL BE LABELLED WITH DESCRIPTION, LOT NUMBER, PART NUMBER, MANUFACTURING DATE AND QUANTITY.

TCPN	DESCRIPTION
EN0984-000	BISG-100/400(B3)
EN0985-000	BISG-G-100/400(B3)
EP8393-000	BISG-P-100/400(B3)

THIS DRAWING IS A CONTROLLED DOCUMENT.		DWN A. SABARAD 19MAY2020	TE Connectivity	
DIMENSIONS: INCH(MM)		CHK S. LIGHT 19MAY2020		
TOLERANCES UNLESS OTHERWISE SPECIFIED:		APVD L. HILLER 19MAY2020	NAME BISG-100/400 BISG-G-100/400 BISG-P-100/400	
		PRODUCT SPEC	SIZE A2	
MATERIAL		APPLICATION SPEC	CAGE CODE 00779	DRAWING NO E00000874
FINISH		WEIGHT	RESTRICTED TO -	SCALE NTS
		CUSTOMER DRAWING	SHEET 1	REV C