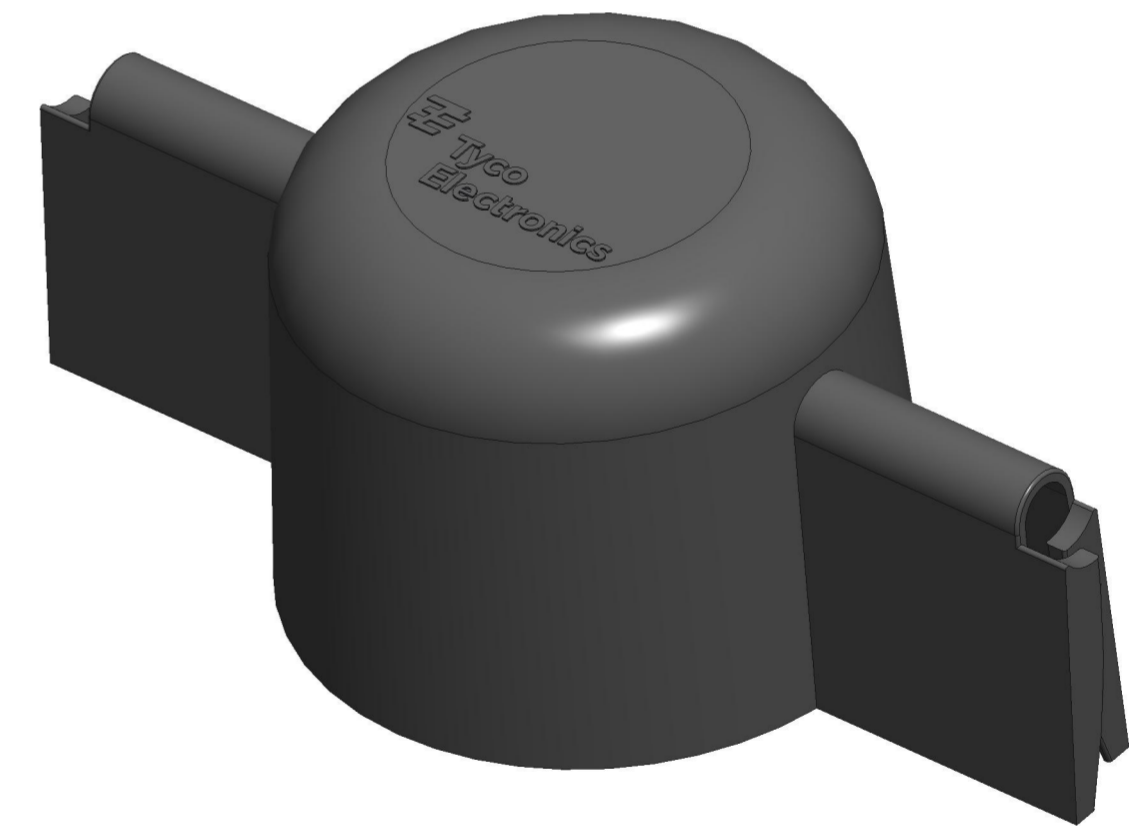
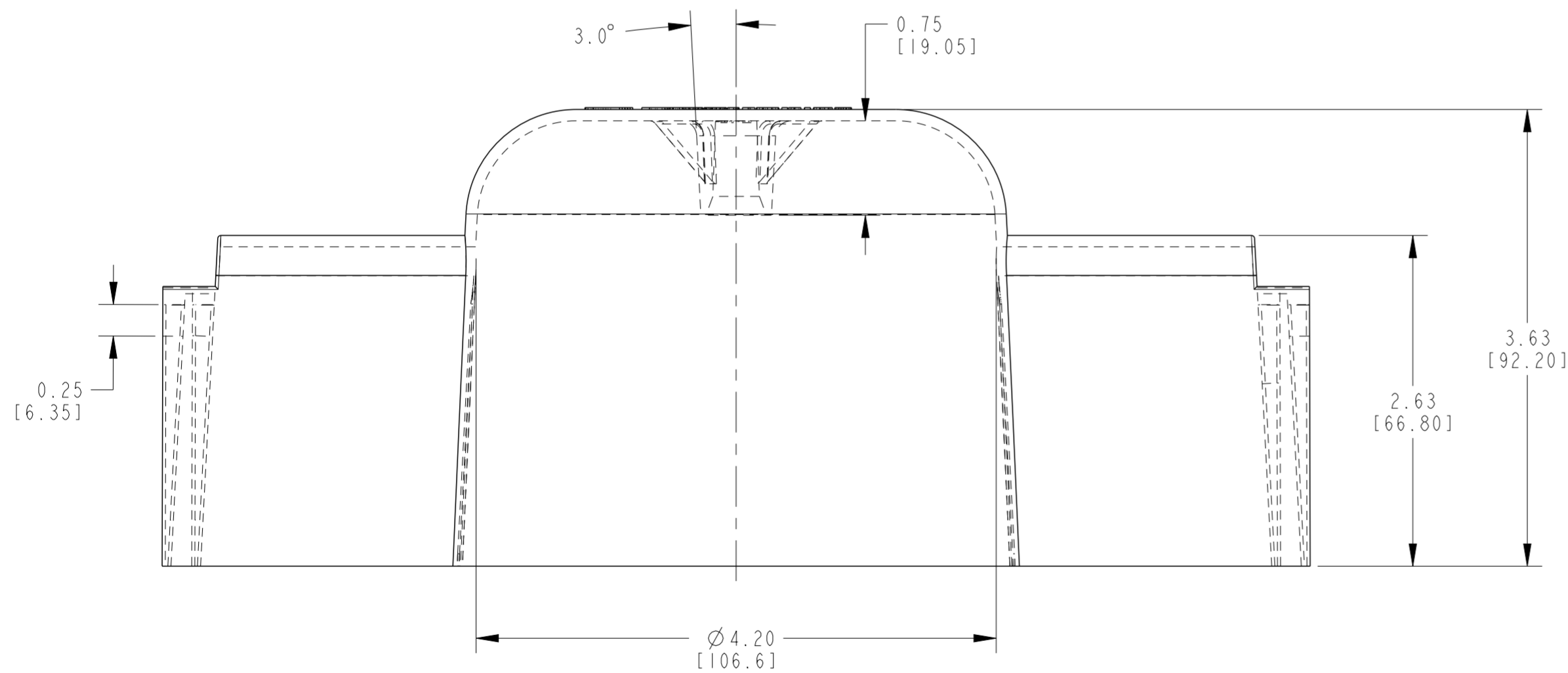
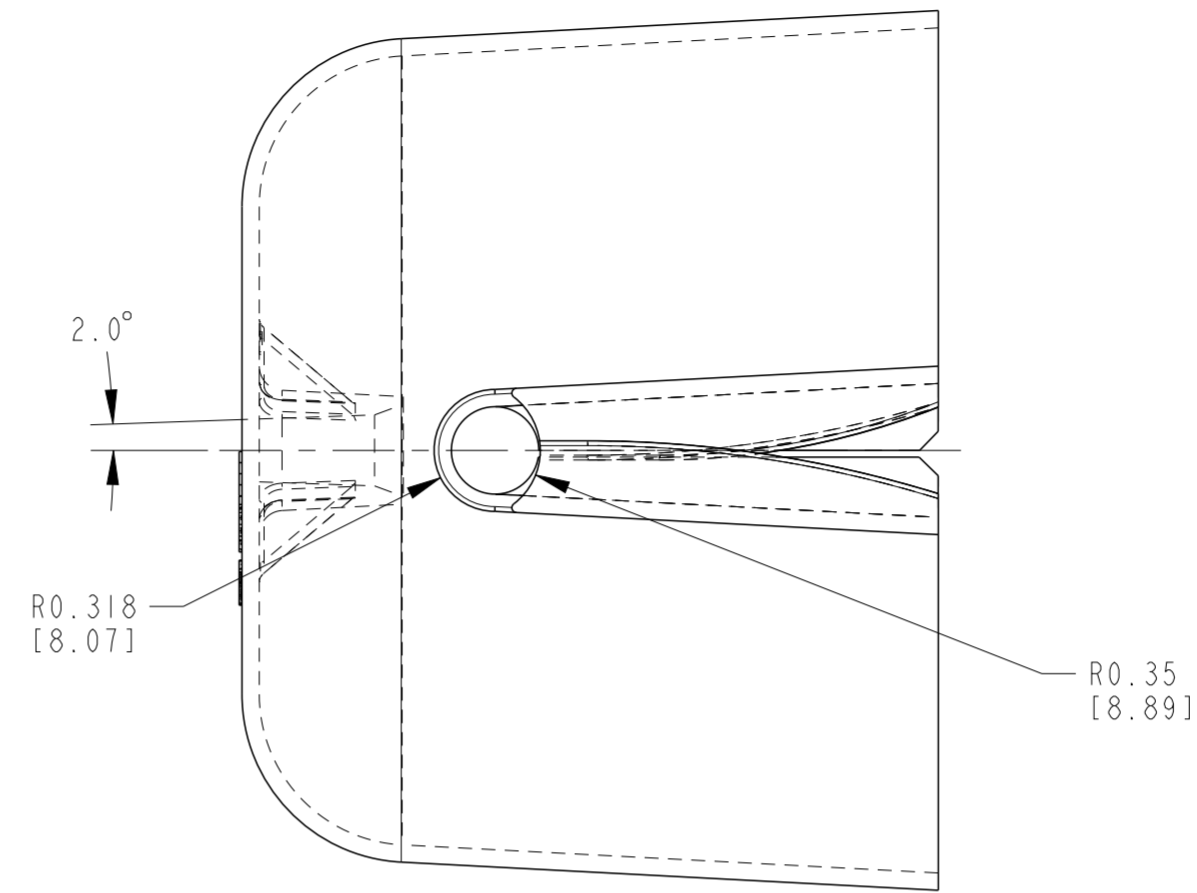
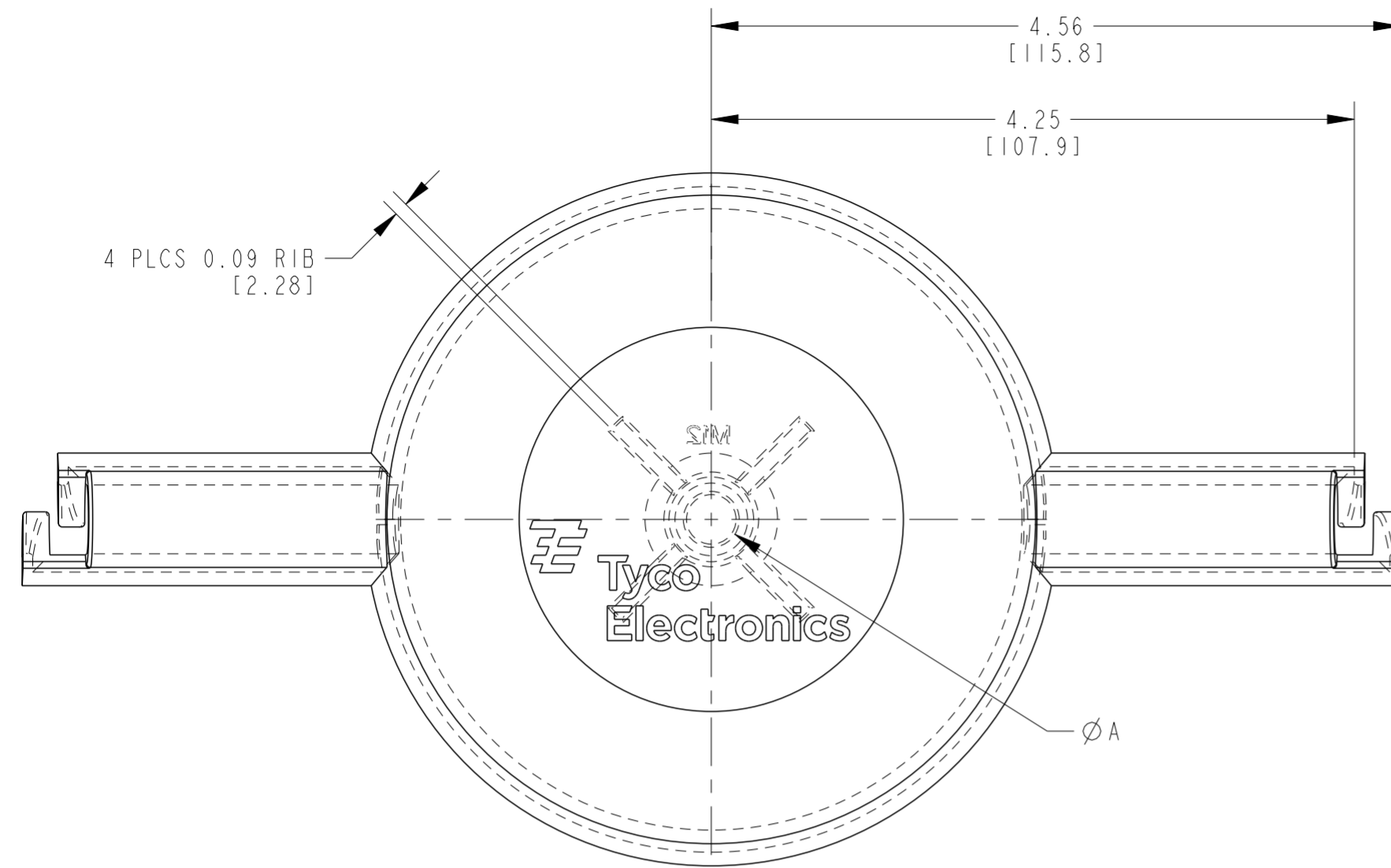


REVISIONS					
P	LTR	DESCRIPTION	DATE	DWN	APVD
A		INITIAL RELEASE	28MAY2020	AS	LH
B		TWO MORE TCPN'S ARE ADDED TO THE PART TABLE	18JAN2023	HM	LH
BI		REVISED PER ECR-24-206030	19MAR2024	MT	LH



TCPN	DESCRIPTION	MATERIAL	DIM " ϕA "
ED6436-000	BCAC-G-AR-4D-2(B24)	TE STANDARD GRAY	$\phi 0.370$ [9.4]
ED6437-000	BCAC-AR-4D-2(B24)	TE STANDARD RED	$\phi 0.370$ [9.4]
ED6438-000	BCAC-AR-4D-2-M(B24)	TE STANDARD RED	$\phi 0.470$ [12]
ED6439-000	BCAC-G-AR-4D-2-M(B24)	TE STANDARD GRAY	$\phi 0.470$ [12]
ES4052-000	BCAC+G-AR-4D-2(B24)	TE STANDARD GRAY V0	$\phi 0.370$ [9.4]

NOTES:

- PARTS ARE PACKAGED 24 PIECES PER BOX.
- EACH BOX SHALL BE LABELLED WITH DESCRIPTION, LOT NUMBER, PART NUMBER, MANUFACTURING DATE AND QUANTITY.

THIS DRAWING IS A CONTROLLED DOCUMENT.		DWN A SABARAD 28MAY2020	TE Connectivity															
DIMENSIONS: INCH(MM)		CHK S LIGHT 28MAY2020																
TOLERANCES UNLESS OTHERWISE SPECIFIED:		APVD L HILLER 28MAY2020	NAME BCAC-G-AR-4D-2															
<table border="1"> <tr> <td>0 PLC</td> <td>±</td> </tr> <tr> <td>1 PLC</td> <td>±</td> </tr> <tr> <td>2 PLC</td> <td>±</td> </tr> <tr> <td>3 PLC</td> <td>±</td> </tr> <tr> <td>4 PLC</td> <td>±</td> </tr> <tr> <td>ANGLES</td> <td>±</td> </tr> <tr> <td>FINISH</td> <td></td> </tr> </table>		0 PLC	±	1 PLC	±	2 PLC	±	3 PLC	±	4 PLC	±	ANGLES	±	FINISH		PRODUCT SPEC	RESTRICTED TO	
0 PLC	±																	
1 PLC	±																	
2 PLC	±																	
3 PLC	±																	
4 PLC	±																	
ANGLES	±																	
FINISH																		
MATERIAL		APPLICATION SPEC	SIZE A2	CAGE CODE 00779														
		WEIGHT	DRAWING NO E00000896	SCALE NTS														
		CUSTOMER DRAWING	SHEET OF	REV BI														