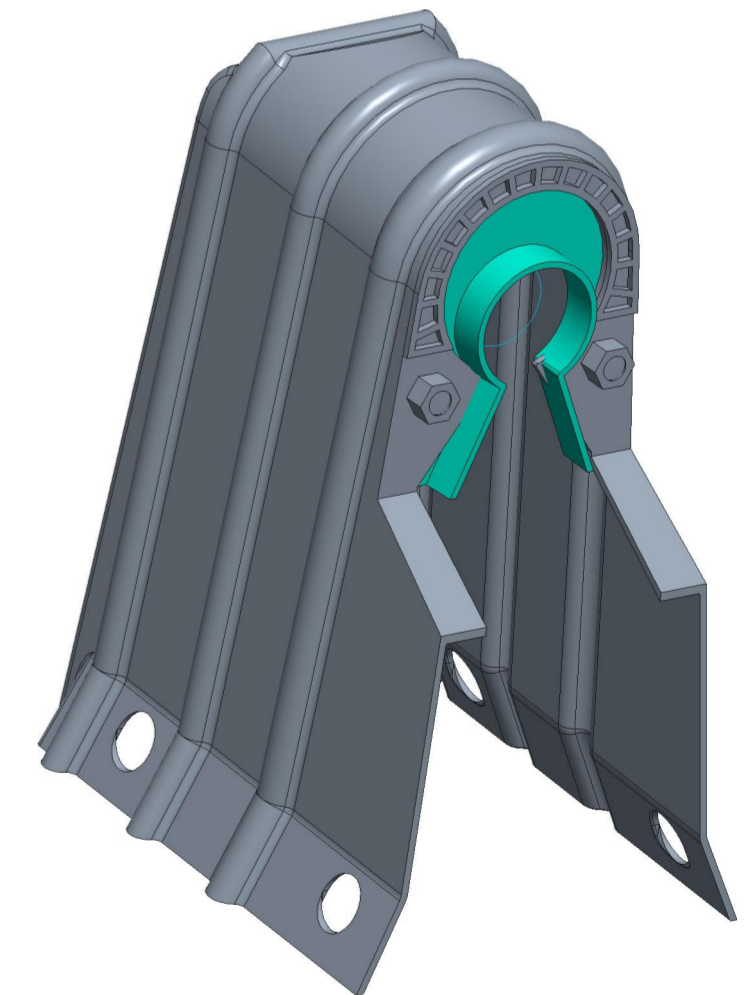
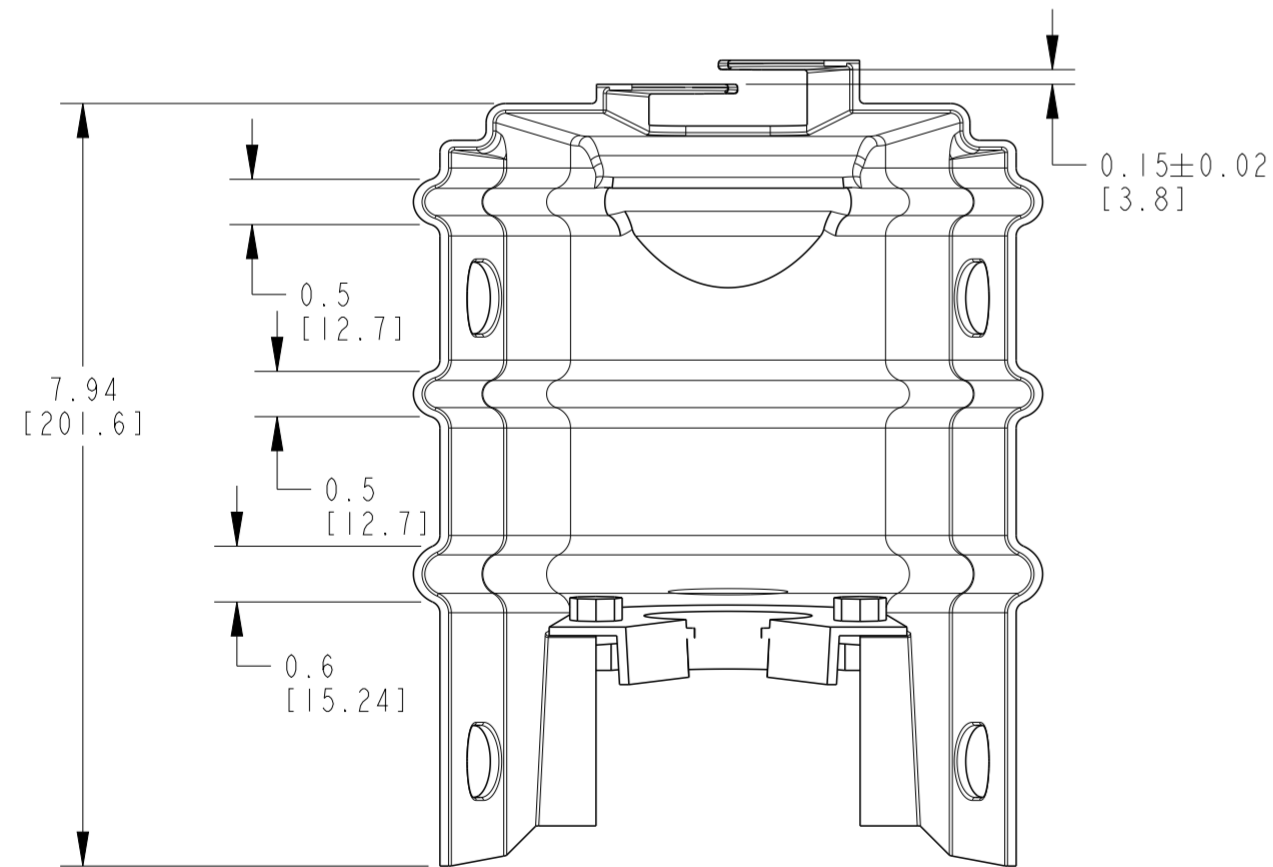
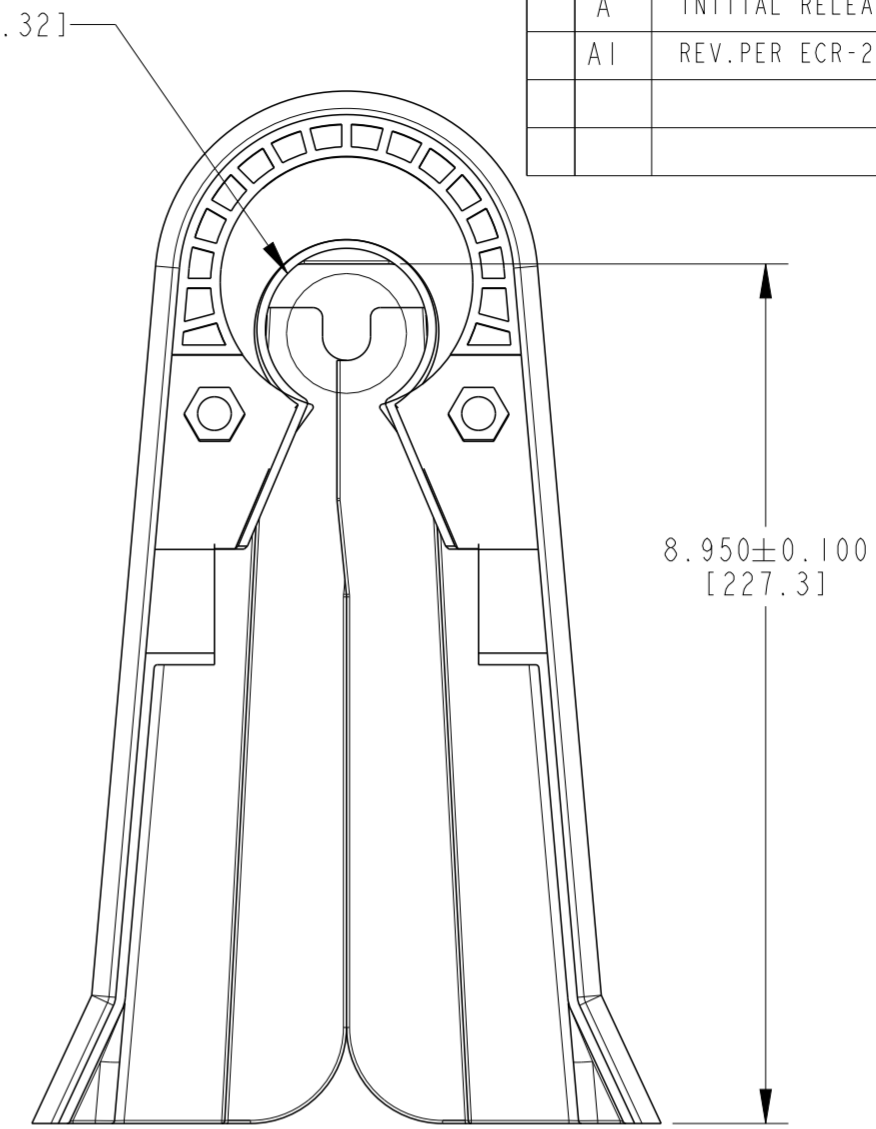
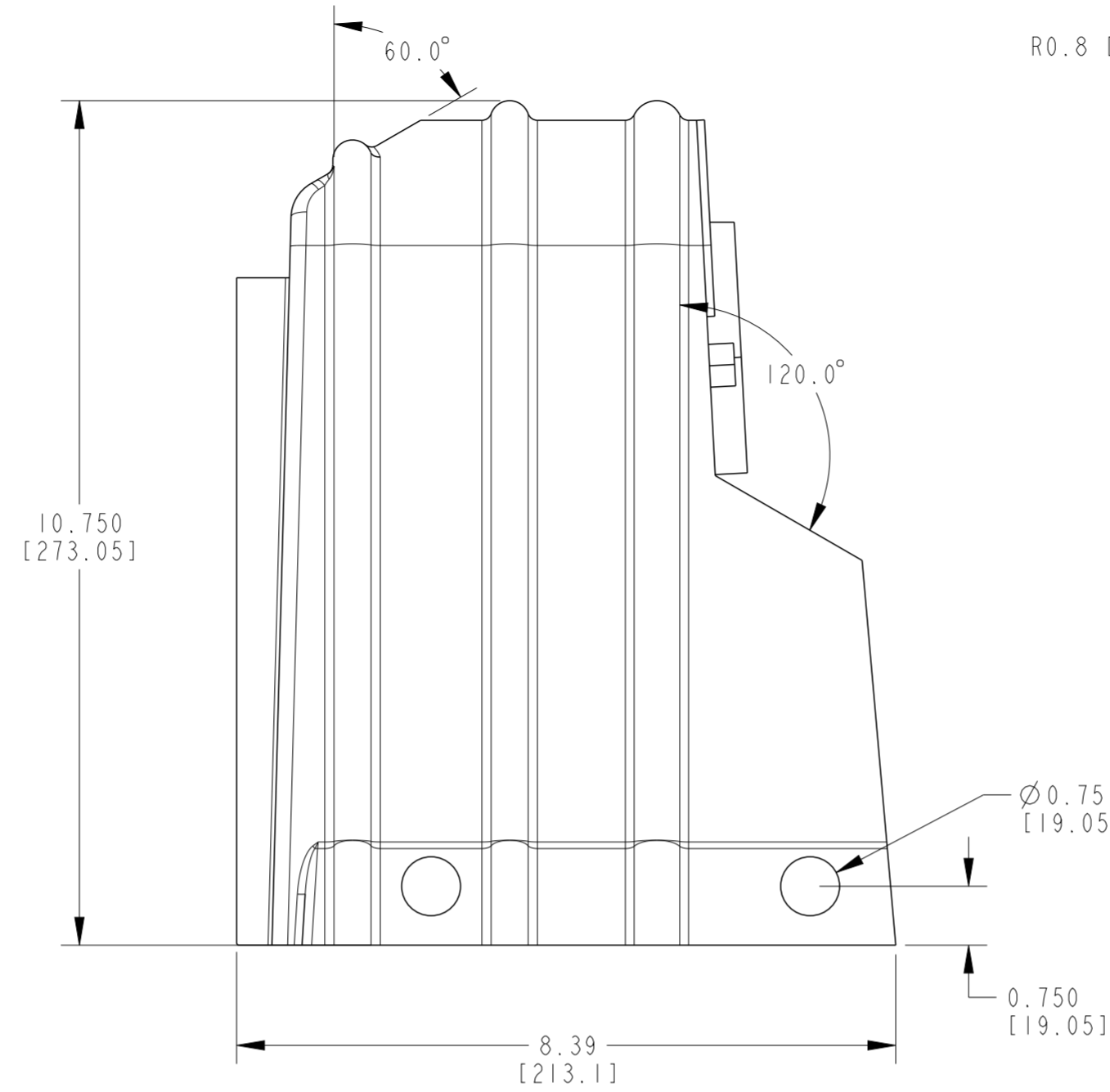
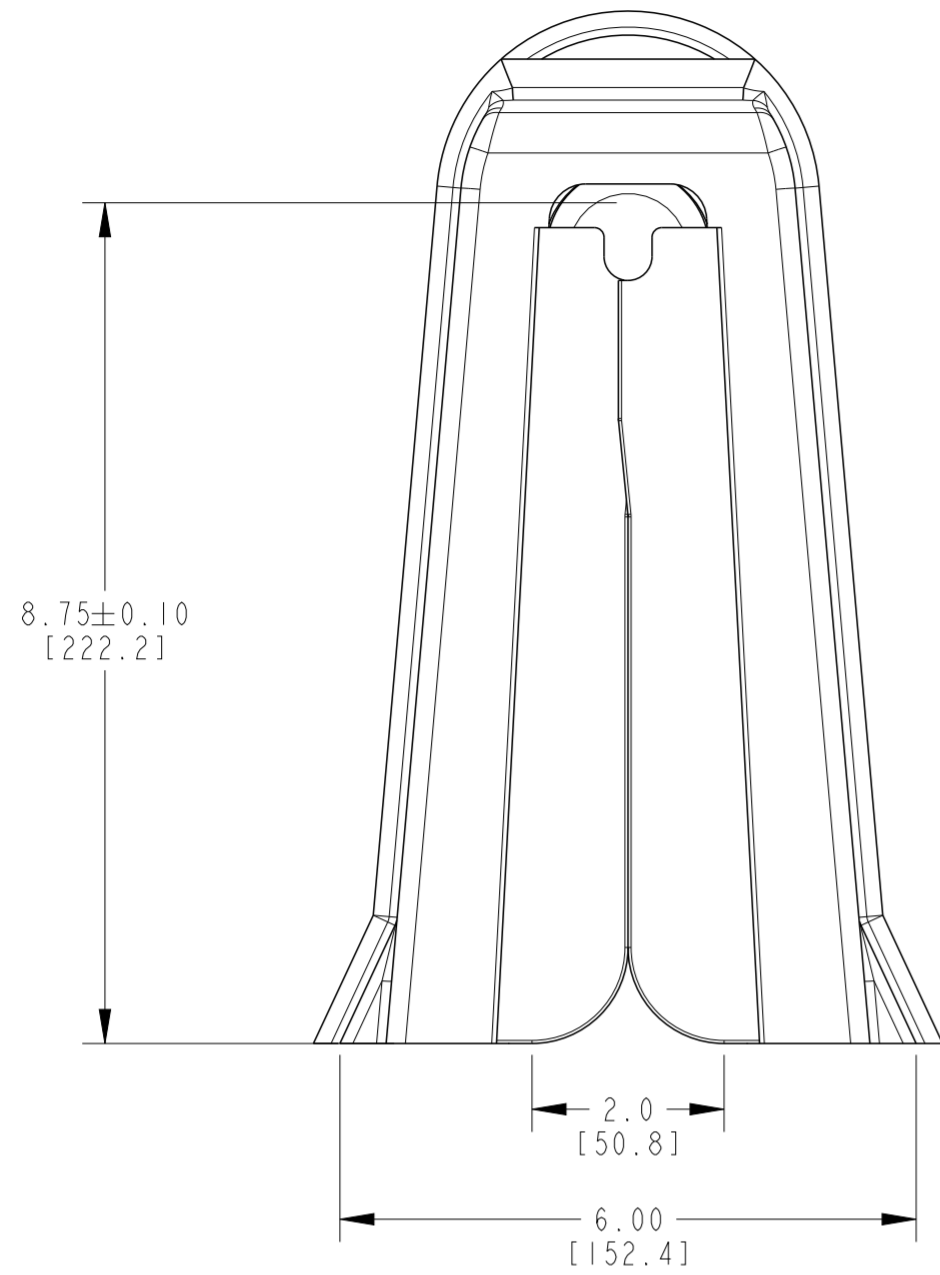


P	LTR	DESCRIPTION	DATE	DWN	APVD
A		INITIAL RELEASE	07JUN2020	AS	LH
AI		REV.PER ECR-24-206030	19MAR2024	MT	LH



NOTES:

- PARTS SHALL BE KITTED WITH P11-55909.
- EACH BOX SHALL BE LABELLED WITH DESCRIPTION LOT NUMBER PART NUMBER MANUFACTURING DATE AND QUANTITY

TCPN	DESCRIPTION	MATERIAL
878742-000	BCAC-G-CUTOUT-100-P2-B12	TE STANDARD GRAY
ES4191-000	BCAC+G-CUTOUT-100-P2-B12	TE STANDARD GRAY VO

THIS DRAWING IS A CONTROLLED DOCUMENT.		DWN A. SABARAD 07JUN2020	TE Connectivity															
DIMENSIONS: INCH(MM)		CHK S. LIGHT 07JUN2020																
TOLERANCES UNLESS OTHERWISE SPECIFIED:		APVD L. HILLER 07JUN2020	NAME BCAC-G-CUTOUT-100-P2-B12															
<table border="1"> <tr><td>0 PLC</td><td>±</td></tr> <tr><td>1 PLC</td><td>±</td></tr> <tr><td>2 PLC</td><td>±</td></tr> <tr><td>3 PLC</td><td>±</td></tr> <tr><td>4 PLC</td><td>±</td></tr> <tr><td>ANGLES</td><td>±</td></tr> <tr><td>FINISH</td><td>±</td></tr> </table>		0 PLC	±	1 PLC	±	2 PLC	±	3 PLC	±	4 PLC	±	ANGLES	±	FINISH	±	PRODUCT SPEC	RESTRICTED TO	
0 PLC	±																	
1 PLC	±																	
2 PLC	±																	
3 PLC	±																	
4 PLC	±																	
ANGLES	±																	
FINISH	±																	
MATERIAL		APPLICATION SPEC	SIZE A2	CAGE CODE 00779														
		WEIGHT	DRAWING NO E00000900	SCALE NTS														
		CUSTOMER DRAWING	SHEET 1	REV AI														