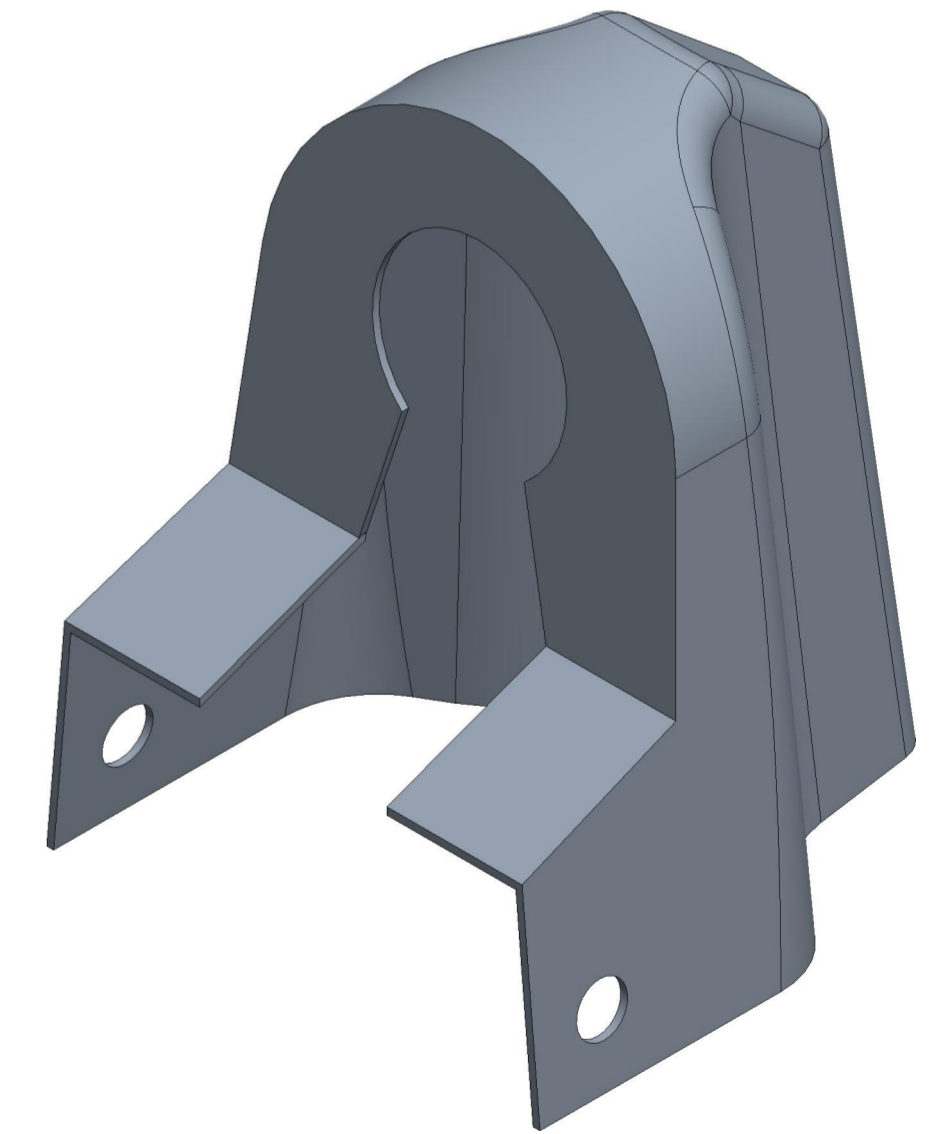
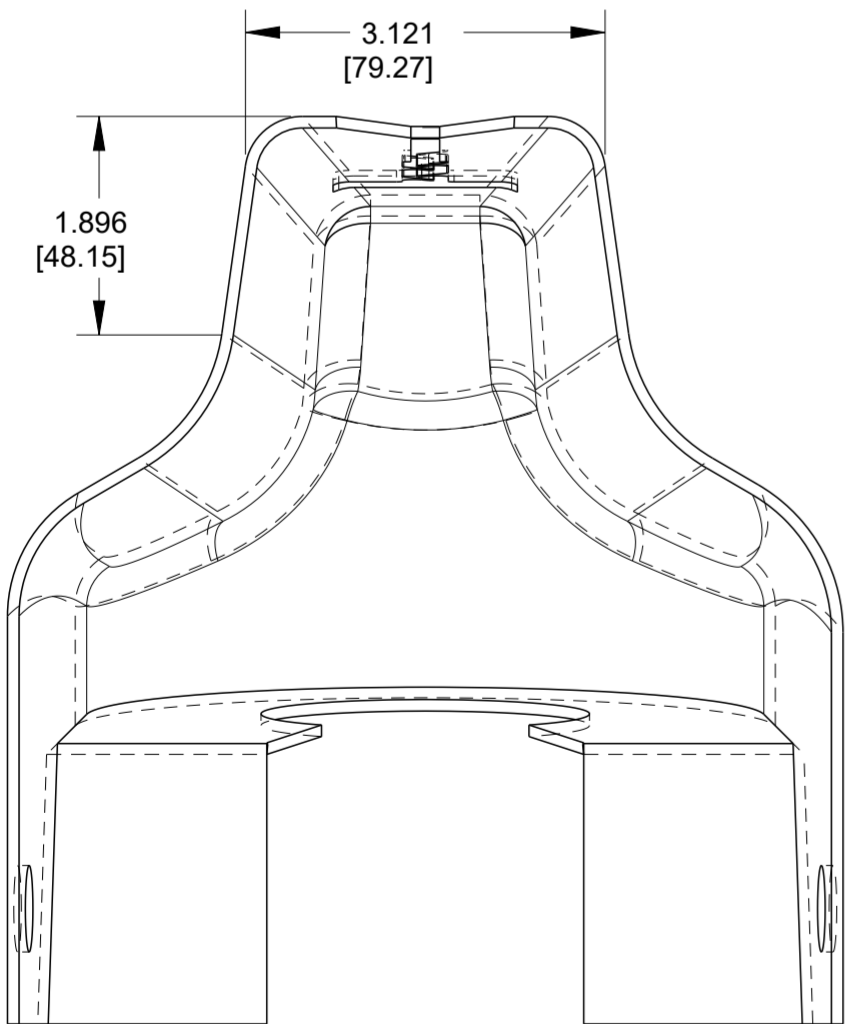
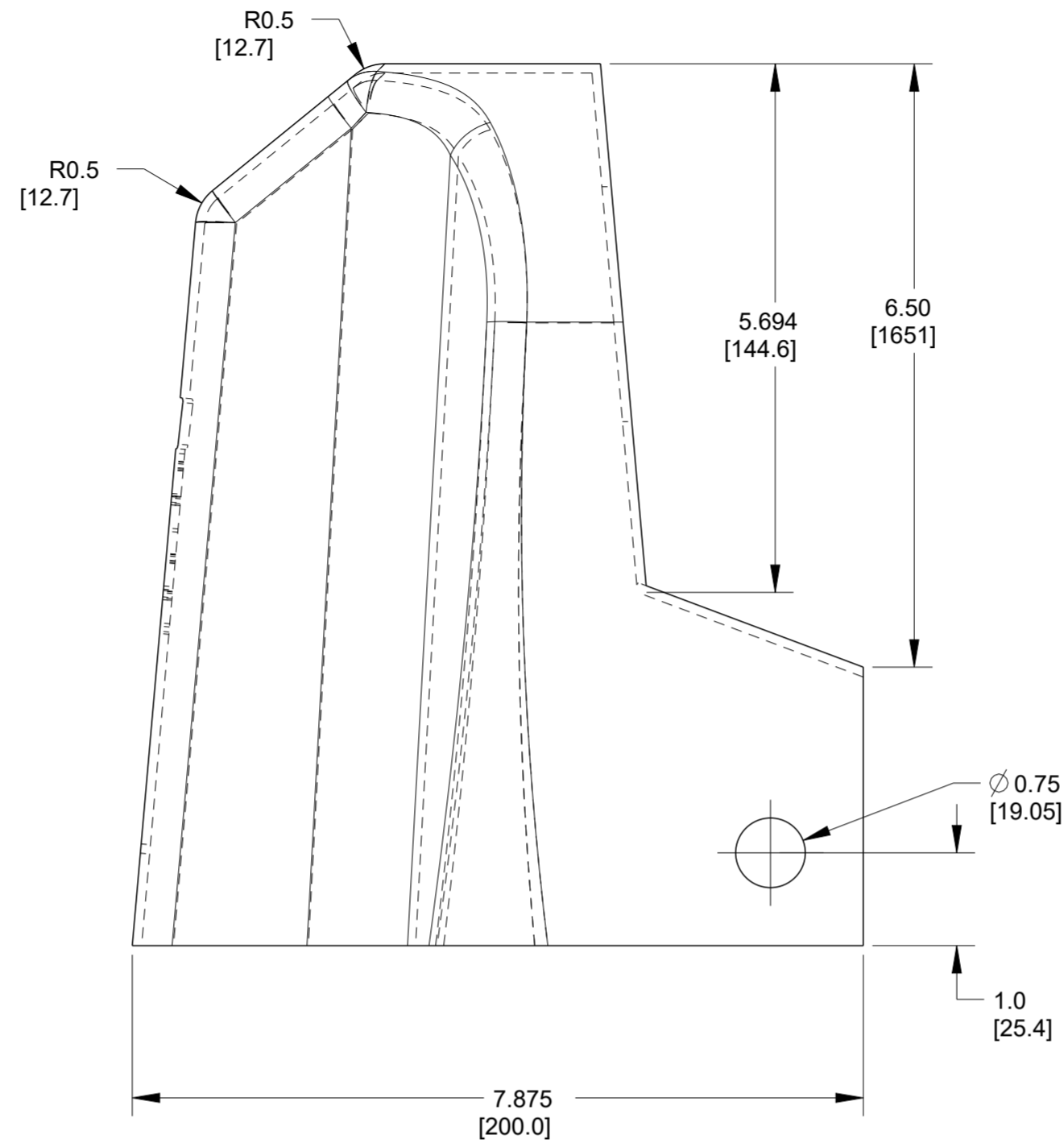
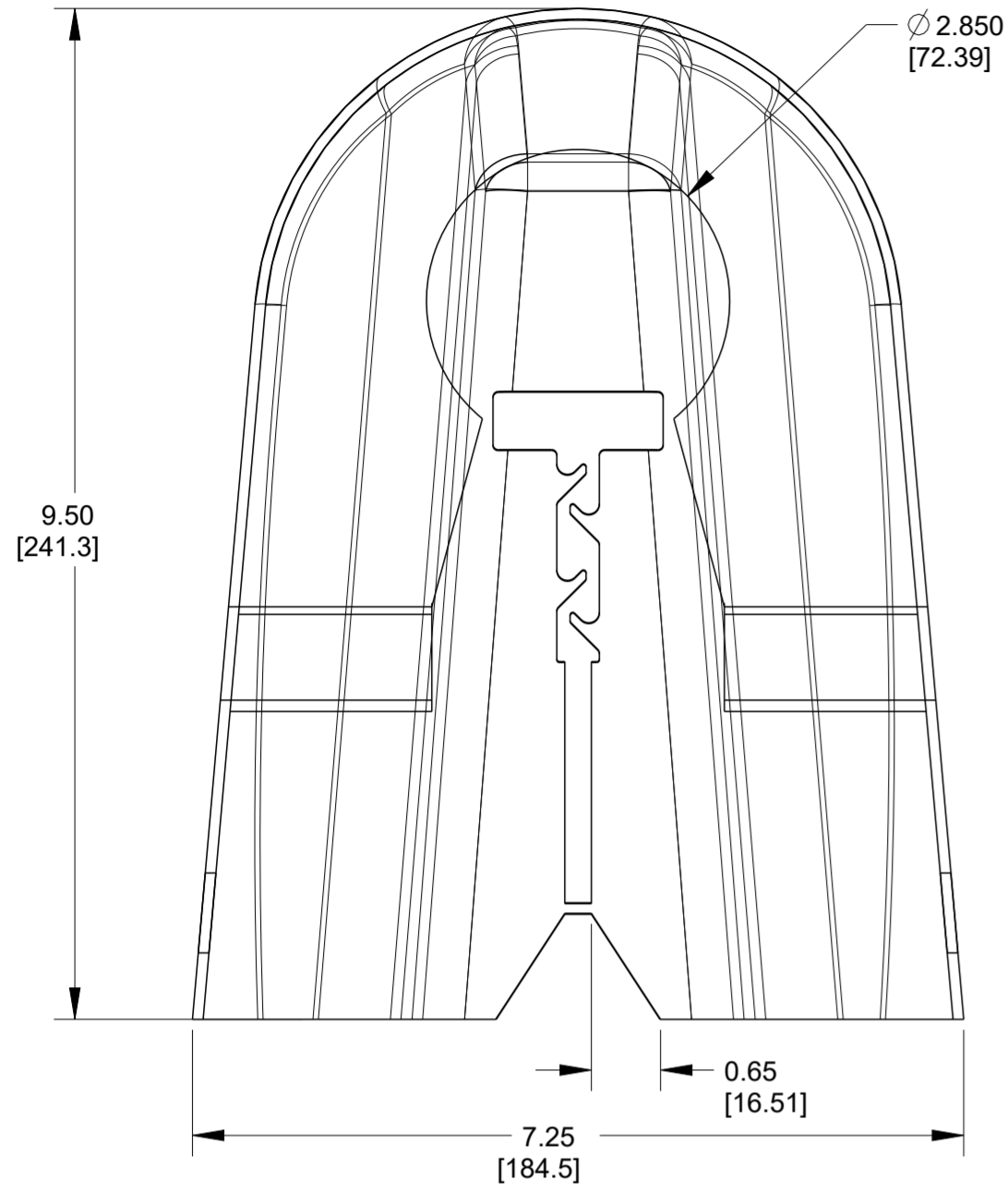


REVISIONS					
P	LTR	DESCRIPTION	DATE	DWN	APVD
	A	INITIAL RELEASE	07JUN2020	AS	LH



TCPN
CL6659-000

NOTES:

- PARTS SHALL BE KITTED WITH PII-55909.
- EACH BOX SHALL BE LABELLED WITH DESCRIPTION LOT NUMBER PART NUMBER MANUFACTURING DATE AND QUANTITY

THIS DRAWING IS A CONTROLLED DOCUMENT.		DWN A. SABARAD 07JUN2020		NAME BCAC-G-CUTOUT-200(B3)															
DIMENSIONS: INCH(MM)		CHK S. LIGHT 07JUN2020		APVD L. HILLER 07JUN2020															
TOLERANCES UNLESS OTHERWISE SPECIFIED:		PRODUCT SPEC		APPLICATION SPEC															
<table border="0"> <tr><td>0 PLC</td><td>±</td></tr> <tr><td>1 PLC</td><td>±</td></tr> <tr><td>2 PLC</td><td>±</td></tr> <tr><td>3 PLC</td><td>±</td></tr> <tr><td>4 PLC</td><td>±</td></tr> <tr><td>ANGLES</td><td>±</td></tr> <tr><td>FINISH</td><td>±</td></tr> </table>		0 PLC	±	1 PLC	±	2 PLC	±	3 PLC	±	4 PLC	±	ANGLES	±	FINISH	±	WEIGHT		RESTRICTED TO	
0 PLC	±																		
1 PLC	±																		
2 PLC	±																		
3 PLC	±																		
4 PLC	±																		
ANGLES	±																		
FINISH	±																		
MATERIAL		CUSTOMER DRAWING		SCALE A2 00779	CAGE CODE E00000901														
		SCALE NTS		SHEET 1 OF 1	REV A														