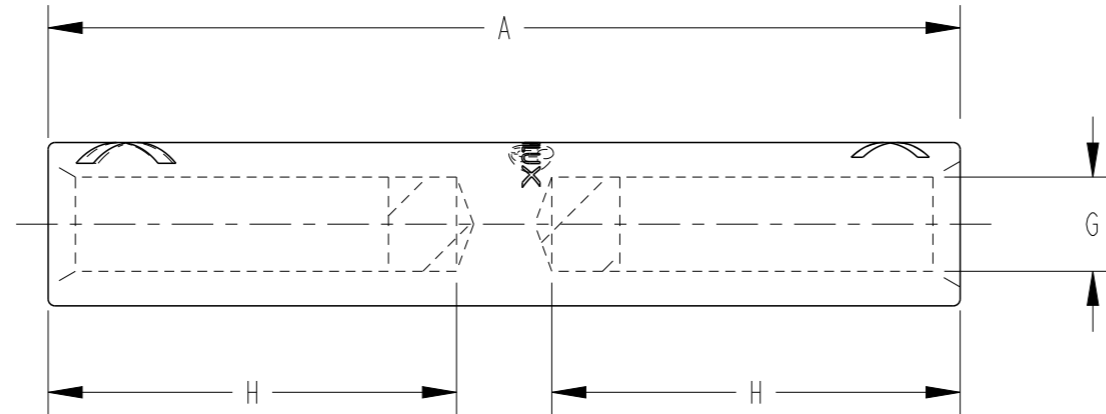



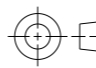
REVISIONS

P	LTR	DESCRIPTION	DATE	DWN	APVD
	A	INITIAL RELEASE	07OCT2020	BJ	MF

E00001127



TCPN	CATALOGUE NUMBER	CONDUCTOR AREA (mm <sup>2</sup> )	CONDUCTOR STRANDING	DIMENSIONS (mm)			CRIMPING DIE
				A	G	H	
530270-000	AK16	16	7/1.70	67	5.5	30	38-90AL
607906-000	AK35	35	19/1.53	67	8.5	30	38-90AL
063542-000	AK40ET	40	7/2.50	68	9	30	38-132AL
105554-000	AK50	50	19/1.78	68	9.5	30	38-132AL
175524-000	AK70	70	19/2.14	68	11	30	38-132AL
436534-000	AK95	95	19/2.52 - 37/1.78	127	13	57	38-173AL / 40-172AL
502998-000	AK120	120	37/2.03	127	15	57	38-173AL / 40-172AL
187686-000	AK150	150	37/2.25	127	16.5	57	38-220AL / 40-220AL
319370-000	AK185	185	37/2.52	127	18.5	57	38-220AL / 40-220AL
273080-000	AK240	240	61/2.52	127	21	57	38-284AL / 40-283AL
740416-000	AK300	300	61/2.52	127	23.5	57	38-284AL / 40-283AL
518384-000	AK400	400	61/2.85	140	26.5	60	40-390AL
956918-000	AK500	500	61/3.20	140	29.5	60	40-390AL
738802-000	AK630	630	127/2.52	142	34.5	60	40-432AL

THIS DRAWING IS A CONTROLLED DOCUMENT.		DWN B. JOEL 07OCT2020	 TE Connectivity	
DIMENSIONS: mm		CHK S. CHAD 07OCT2020		
TOLERANCES UNLESS OTHERWISE SPECIFIED:		APVD M. FRATER 07OCT2020	NAME ALUMINIUM LINKS	
 0 PLC ±- 1 PLC ±- 2 PLC ±- 3 PLC ±- 4 PLC ±- ANGLES ±-		PRODUCT SPEC -	RESTRICTED TO -	
MATERIAL -		FINISH -	APPLICATION SPEC -	SIZE A3
		WEIGHT -	CAGE CODE 00779	DRAWING NO E00001127
CUSTOMER DRAWING			SCALE NTS	SHEET 1 OF 1
			REV A	