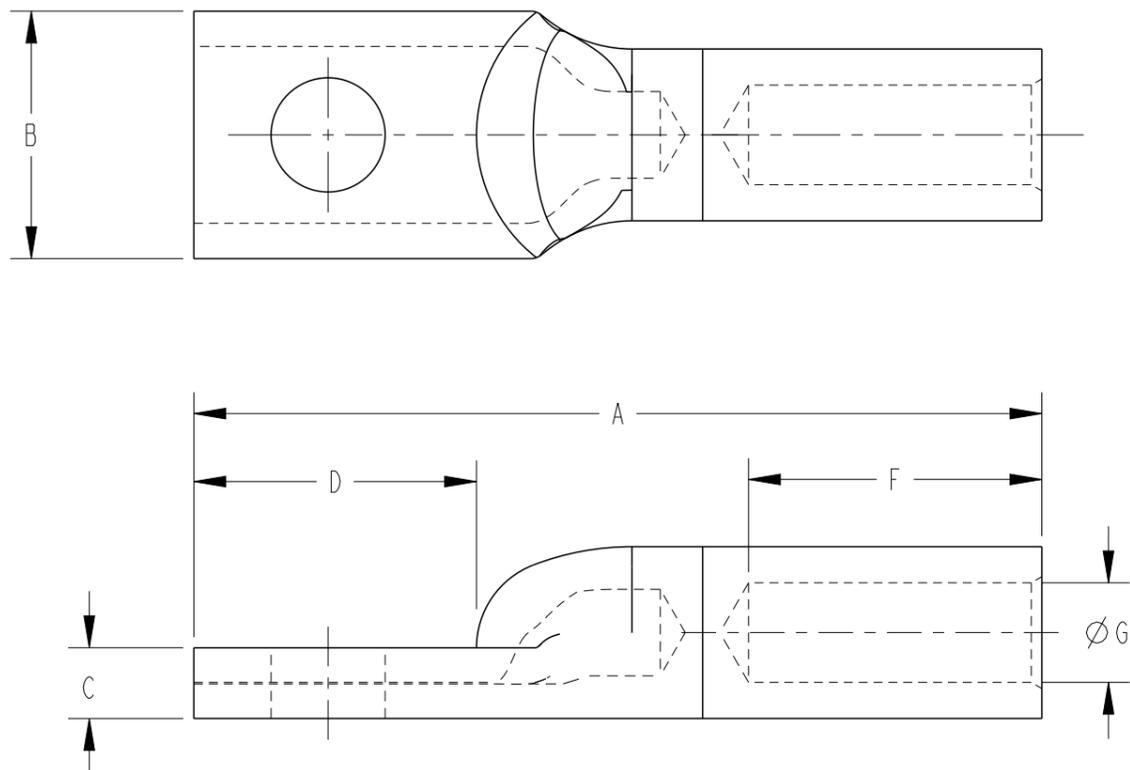


P	LTR	DESCRIPTION	DATE	DWN	APVD
	A	INITIAL RELEASE	25NOV2020	AS	MF



TCPN	CATALOGUE NUMBER	CONDUCTOR AREA (mm ²)	STUD SIZE	DIMENSIONS (mm)					CRIMPING DIE
				A	B	C	D	F	
EF0661-000	BGRV35M10	35	M10	70	23	4.5	24	24	38-92CU
EF1830-000	BGRV50M8	50	M8	78	23	6	28	24	38-115CU
EF0662-000	BGRV70M10	70	M10	83	22	6	28	24	38-115CU
F68459-000	BGRV70MB	70	Nil	83	22	6	28	24	38-115CU
EF1829-000	BGRV95M12	95	M12	103	31	9.8	34	38	38-165CU

THIS DRAWING IS A CONTROLLED DOCUMENT.		DWN A. SAMAL	25NOV2020		
DIMENSIONS: mm		CHK S. CHAD	25NOV2020		
TOLERANCES UNLESS OTHERWISE SPECIFIED:		APVD M. FRATER	25NOV2020	NAME REVERSE BI-METAL LUGS	
		PRODUCT SPEC		-	
0 PLC ± 1 PLC ± 2 PLC ± 3 PLC ± 4 PLC ± ANGLES ±		APPLICATION SPEC		-	
MATERIAL		WEIGHT		SIZE A3	CAGE CODE 00779
-		-		DRAWING NO E00001131	
CUSTOMER DRAWING				SCALE NTS	SHEET 1 OF 1
				RESTRICTED TO	REV A