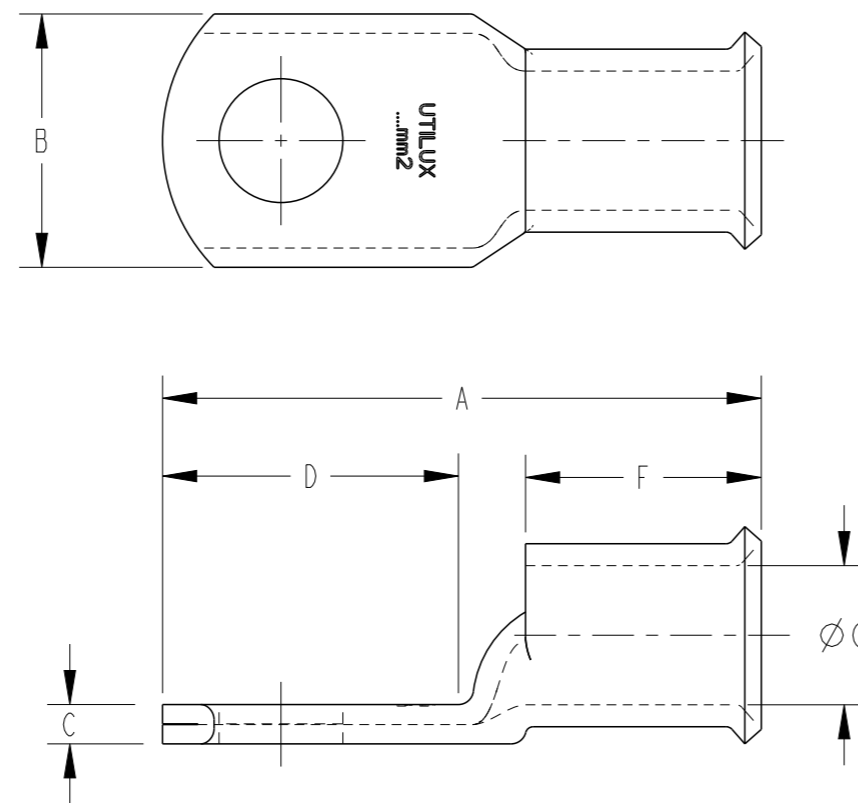


E00001138

REVISIONS

| P | LTR | DESCRIPTION | DATE | DWN | APVD |
|---|-----|-----------------|-----------|-----|------|
| | A | INITIAL RELEASE | 01DEC2020 | AS | MF |
| | | | | | |
| | | | | | |



| TCPN | CATALOGUE NUMBER | CONDUCTOR AREA (mm ²) | CONDUCTOR STRANDING | STUD SIZE | DIMENSIONS (mm) | | | | | | CRIMPING DIE |
|------------|------------------|-----------------------------------|---------------------|-----------|-----------------|----|---|----|----|------|--------------|
| | | | | | A | B | C | D | F | G | |
| 435278-000 | CG120FLM10 | 120 | 336/0.67 | M10 | 67 | 30 | 5 | 32 | 30 | 15.5 | 38-165CU |
| 556474-000 | CG120FLM12 | 120 | 336/0.67 | M12 | 67 | 30 | 5 | 32 | 30 | 15.5 | 38-165CU |
| CK0172-000 | CG150FLM10 | 150 | 427/0.67 | M10 | 76 | 34 | 5 | 41 | 26 | 16.3 | 38-183CU |
| 692678-000 | CG150FLM12 | 150 | 427/0.67 | M12 | 76 | 34 | 5 | 41 | 26 | 16.3 | 38-183CU |
| 276412-000 | CG150FLM16 | 150 | 427/0.67 | M16 | 76 | 34 | 5 | 41 | 26 | 16.3 | 38-183CU |

| | | | | | | | | | | | | | | | | | |
|--|---|-------------------------------|----------------------------------|------------|--------------------|-------------------------|--------------|------------|---------|----------|---|--------|---|-------------------|--------------------|--|--|
| THIS DRAWING IS A CONTROLLED DOCUMENT. | | DWN A.SAMAL 01DEC2020 | | | | | | | | | | | | | | | |
| DIMENSIONS: mm | | CHK S.CHAD 01DEC2020 | | | | | | | | | | | | | | | |
| TOLERANCES UNLESS OTHERWISE SPECIFIED: | | APVD M.FRATER 01DEC2020 | NAME FLARED COPPER CRIMP LUGS | | | | | | | | | | | | | | |
| <table border="0"> <tr> <td>0 PLC</td> <td>±</td> </tr> <tr> <td>1 PLC</td> <td>±</td> </tr> <tr> <td>2 PLC</td> <td>±</td> </tr> <tr> <td>3 PLC</td> <td>±</td> </tr> <tr> <td>4 PLC</td> <td>±</td> </tr> <tr> <td>ANGLES</td> <td>±</td> </tr> </table> | | 0 PLC | ± | 1 PLC | ± | 2 PLC | ± | 3 PLC | ± | 4 PLC | ± | ANGLES | ± | PRODUCT SPEC - | RESTRICTED TO - | | |
| 0 PLC | ± | | | | | | | | | | | | | | | | |
| 1 PLC | ± | | | | | | | | | | | | | | | | |
| 2 PLC | ± | | | | | | | | | | | | | | | | |
| 3 PLC | ± | | | | | | | | | | | | | | | | |
| 4 PLC | ± | | | | | | | | | | | | | | | | |
| ANGLES | ± | | | | | | | | | | | | | | | | |
| MATERIAL - | | FINISH - | APPLICATION SPEC - | SIZE A3 | CAGE CODE 00779 | DRAWING NO E00001138 | SCALE NTS | SHEET 1 | OF 1 | REV A | | | | | | | |
| CUSTOMER DRAWING | | | | | | | | | | | | | | | | | |