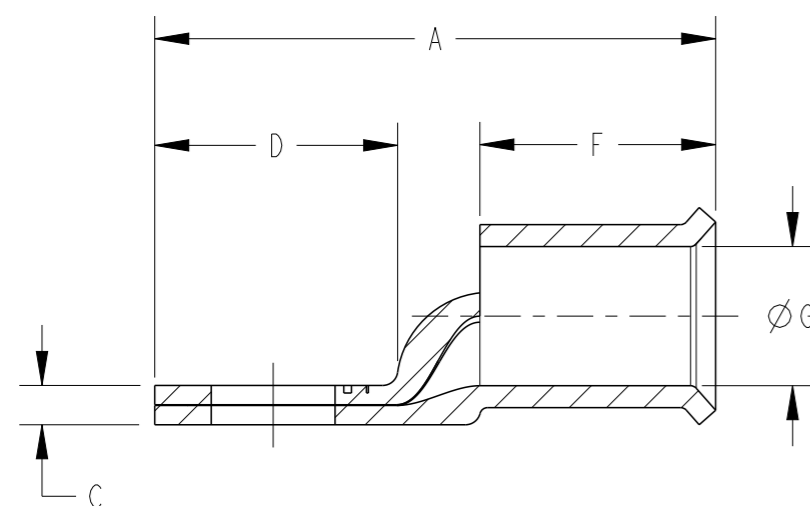
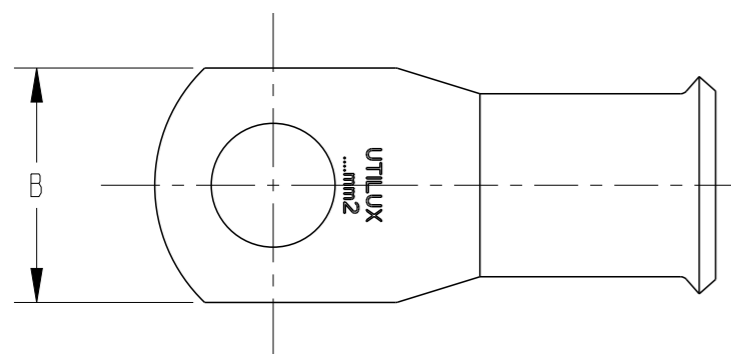

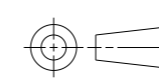


P	LTR	DESCRIPTION	DATE	DWN	APVD
	A	INITIAL RELEASE	04DEC2020	RS	MF

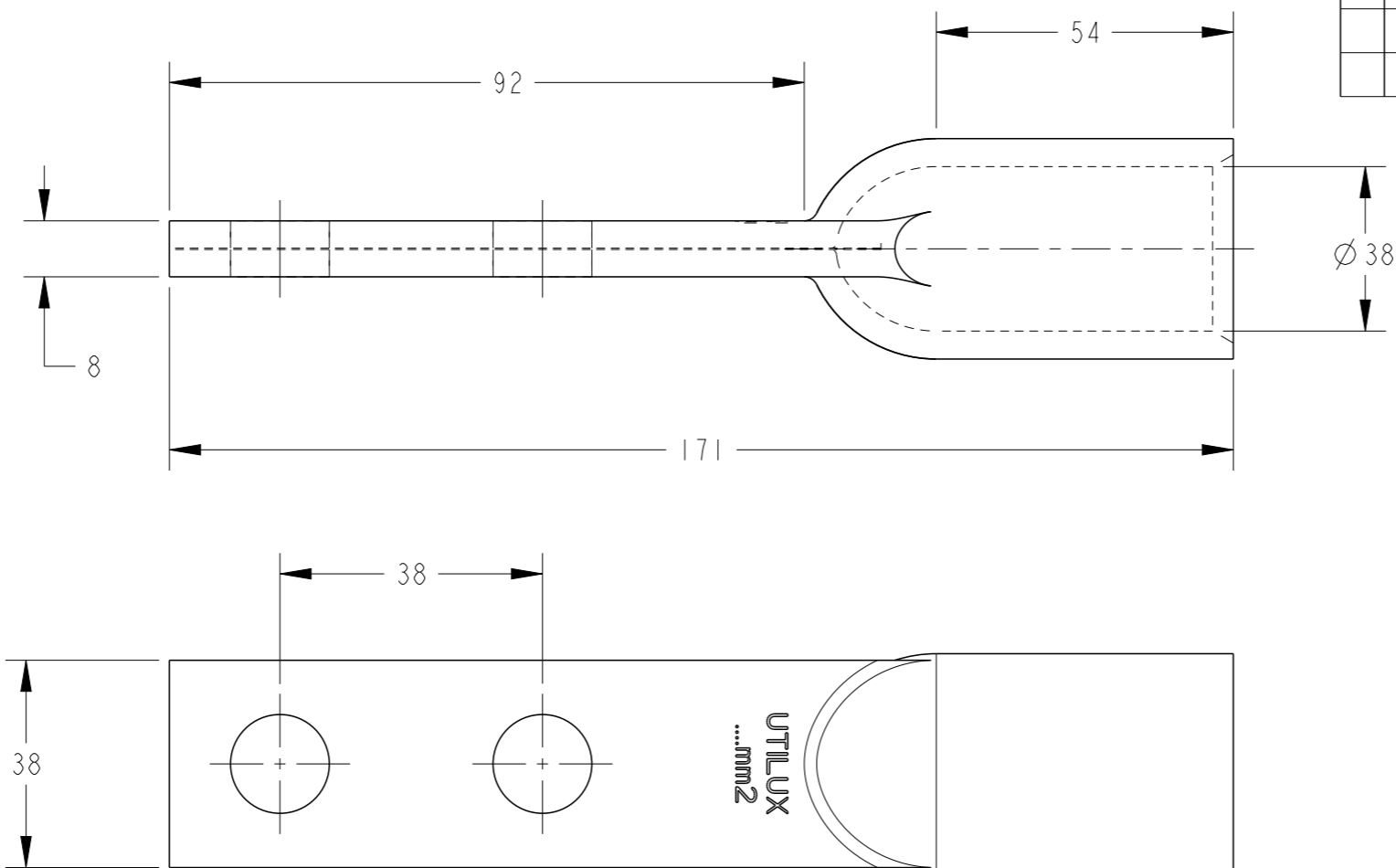


PRODUCT SELECTION INFORMATION										
TCPN	CATALOGUE NUMBER	COND. AREA (mm ²)	STUD SIZE	DIMENSION (mm)						CRIMPING DIE
				A	B	C	D	F	G	
F31686-000	CG35NPM6	35	M6	42	15	2.7	15	22	8.4	38-92CU
E04114-000	CG50NPM6	50	M6	42	15	2.7	15	22	8.4	38-92CU
D37318-000	CG120NPM8	120	M8	60	19	4.8	23	30	15.5	38-165CU
E18314-000	CG150NPM8	150	M8	66	66	5.4	27	30	16.3	38-183CU
A67938-000	CG150NPM10	150	M10	66	19	5.4	27	30	16.3	38-183CU
F71662-000	CG185NPM10	185	M10	74	31	5.2	32	32	18.4	38-200CU
D94070-000	CG240NPM12	240	M12	91	31	7.1	32	38	21.2	38-231CU
D58257-000	CG300NPM10	300	M10	96	31	10	32	42	23.8	38-260CU
A47905-000	CG300NPM12	300	M12	96	31	10	32	42	23.8	38-260CU
I-361360-1	CG400NPMB	400	Nil	123	37	7.9	54	41	26.8	40-281CU

THIS DRAWING IS A CONTROLLED DOCUMENT.		DWN RAVI.S 04DEC2020	 TE Connectivity NAME NARROW PALM COPPER CRIMP LUGS			
DIMENSIONS: mm		CHK S.CHAD 04DEC2020				
		APVD M.FRATER 04DEC2020				
TOLERANCES UNLESS OTHERWISE SPECIFIED:		PRODUCT SPEC				
0 PLC ±- 1 PLC ±- 2 PLC ±- 3 PLC ±- 4 PLC ±- ANGLES ±-		APPLICATION SPEC	RESTRICTED TO			
MATERIAL		WEIGHT	SIZE A3	CAGE CODE 00779	DRAWING NO G-E00001140	-
FINISH		CUSTOMER DRAWING	SCALE NTS	SHEET 1 OF 2	REV A	

REVISIONS

P	LTR	DESCRIPTION	DATE	DWN	APVD
	-	SEE SHEET 1	-	-	-



PRODUCT SELECTION INFORMATION				
TCPN	CATALOGUE NUMBER	COND. AREA (mm ²)	STUD SIZE	CRIMPING DIE
466752-000	CG500NPM14-38	500	M14	40-310CU

THIS DRAWING IS A CONTROLLED DOCUMENT.

DIMENSIONS:	TOLERANCES UNLESS OTHERWISE SPECIFIED:
mm	
	0 PLC ±-
	1 PLC ±-
	2 PLC ±-
	3 PLC ±-
	4 PLC ±-
	ANGLES ±-

MATERIAL -

TOLERANCES UNLESS OTHERWISE SPECIFIED:	
0 PLC	±-
1 PLC	±-
2 PLC	±-
3 PLC	±-
4 PLC	±-
ANGLES	±-
FINISH	-

DWN	RAVI.S	04DEC2020
CHK	S.CHAD	04DEC2020
APVD	M.FRATER	04DEC2020
PRODUCT SPEC	-	
APPLICATION SPEC	-	
WEIGHT	-	

NAME NARROW PALM COPPER CRIMP LUGS			
SIZE	CAGE CODE	DRAWING NO	RESTRICTED TO
A3	00779	CG-E00001140	-

CUSTOMER DRAWING SCALE NTS SHEET 2 OF 2 REV A