

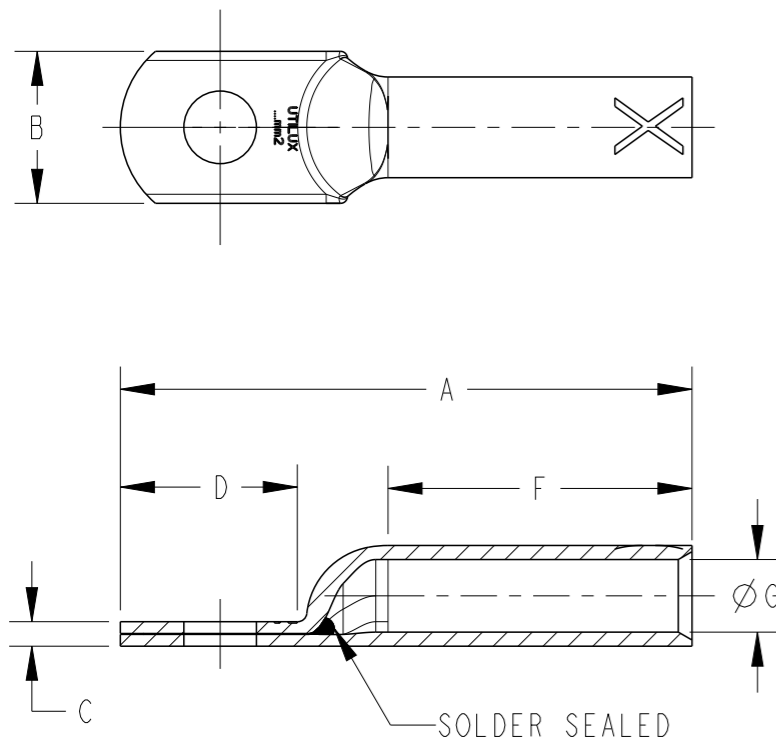
© 2020 TE Connectivity. All Rights Reserved.

REVISIONS

P	LTR	DESCRIPTION	DATE	DWN	APVD
	A	INITIAL RELEASE	27NOV2020	RS	MF

PRODUCT SELECTION INFORMATION

TCPN	CATALOGUE NUMBER	COND. AREA (mm ²)	CONDUCTOR STRANDING	STUD SIZE	DIMENSION (mm)						CRIMPING DIE
					A	B	C	D	F	G	
735242-000	SEG25M10	25	7/2.14-19/1.35	M10	59	16.7	1.9	19	29	71	38-77CU
679984-000	SEG35M8	35	19/1.53	M8	66	18.2	2.7	19	35	8.4	38-92CU
411926-000	SEG35M10	35	19/1.53	M10	66	18.2	2.7	19	35	8.4	38-92CU
324648-000	SEG35M12	35	19/1.53	M12	74	20	2.4	24.5	35	8.4	38-92CU
159232-000	SEG50M10	50	19/1.78	M10	82	19	3	27	38	9.4	38-104CU
543336-000	SEG50M12	50	19/1.78	M12	82	20.6	2.8	27	38	9.4	38-104CU
189880-000	SEG70M10	70	19/2.14	M10	82	20.6	3.2	27	43	11	38-115CU
E63470-000	SEG70M16	70	19/2.14	M16	91	20.6	3.2	30	50	11	38-115CU
184288-000	SEG95M12	95	19/2.52	M12	93	25.4	4	27	53	13.4	38-142CU
056126-000	SEG95M12X04	95	19/2.52	M12	105	27	4	27	65	13.4	38-142CU
414098-000	SEG95M12X05	95	19/2.52	M12	98	40	4	40	45	13.4	38-142CU
147694-000	SEG120M10	120	37/2.03	M10	115	30	4.9	31.8	62	15.5	38-165CU, 40-165CU
857408-000	SEG120M12	120	37/2.03	M12	115	30	4.9	31.8	62	15.5	38-165CU, 40-165CU
E67167-000	SEG120M16	120	37/2.03	M16	115	30	4.9	31.8	62	15.5	38-165CU, 40-165CU
278970-000	SEG150M16	150	37/2.25	M16	126	33.5	5.4	41.3	67	16.3	38-183CU, 40-183CU
231542-000	SEG185M12	185	37/2.52	M12	140	36.5	5.2	41.3	77	18.4	38-200CU, 40-200CU
397470-000	SEG185M16	185	37/2.52	M16	140	36.5	5.2	41.3	77	18.4	38-200CU, 40-200CU
436724-000	SEG240MB	240	61/2.25	Nil	162	41.6	7.1	54	86	21.2	38-231CU, 40-231CU
570652-000	SEG240M12	240	61/2.25	M12	162	41.6	7.1	54	86	21.2	38-231CU, 40-231CU
340354-000	SEG300MB	300	61/2.52	Nil	177	46	7.9	54	95	23.8	38-260CU, 40-260CU
821754-000	SEG300M16	300	61/2.52	M16	177	46	7.9	54	95	23.8	38-260CU, 40-260CU
165014-000	SEG400MB	400	61/2.85	Nil	179	49.6	8	54	98	26.9	40-281CU, 66-281CU
CX9822-000	SEG500M12	500	61/3.20	M12	188	54.8	8.2	54	98	30	40-310CU, 66-310CU
A37853-000	SEG630M12X01	630	127/2.52	M12	190	65	11.5	54	98	33.5	40-370CU
901590-000	SEG630MB	630	127/2.52	Nil	190	65	11.5	54	98	33.5	40-370CU
272072-000	SEG630M20	630	127/2.52	M20	190	65	11.5	54	98	33.5	40-370CU



THIS DRAWING IS A CONTROLLED DOCUMENT.

DWN 27NOV2020 RAVI.S

CHK 27NOV2020 S.CHAD

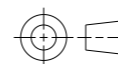
APVD 27NOV2020 M.FRATER



NAME SEALED COPPER CRIMP LUGS

DIMENSIONS: mm

TOLERANCES UNLESS OTHERWISE SPECIFIED:



- 0 PLC ±-
- 1 PLC ±-
- 2 PLC ±-
- 3 PLC ±-
- 4 PLC ±-
- ANGLES ±-

MATERIAL

FINISH

PRODUCT SPEC

APPLICATION SPEC

WEIGHT

SIZE CAGE CODE DRAWING NO RESTRICTED TO

A3 00779 C-E00001148

CUSTOMER DRAWING SCALE NTS SHEET 1 OF 1 REV A