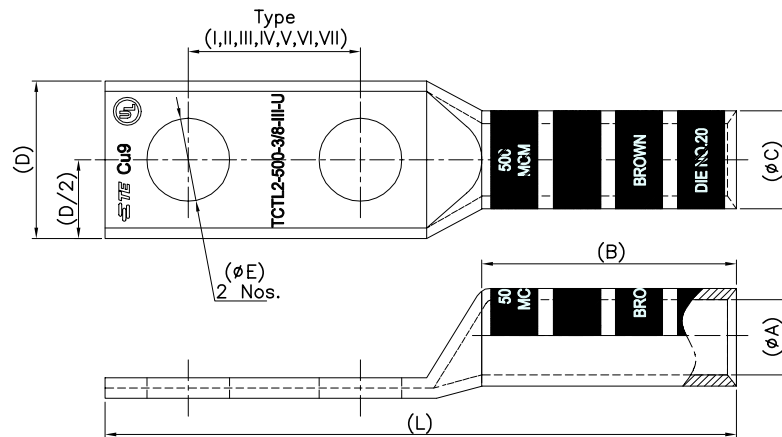


REVISIONS

P	LTR	DESCRIPTION	DATE	DWN	APVD
	A	INITIAL REL PER LC20-0132-20	01DEC2020	RS	BJ



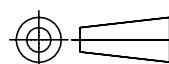
TYPE	Type-I	Type-II	Type-III	Type-IV	Type-V	Type-VI	Type-VII
Stud Hole Spacing (Inches)	0.63	0.75	1.00	1.75	0.50	0.87	1.25

DESCRIPTION	TE Part No. (RPN)	Conductor AWG/MCM	Dimensions in Inch (mm)								Color Code	Die Index No	No. of Crimp
			(E) (Stud Hole)	Stud Hole Spacing	Type	(A) (Barrel ID)	(C) (Barrel OD)	(B) (Barrel Length)	(D) (Palm Width)	(L) (Total Length)			
TCTL2-8-1/4-I-U	EN3750-428	8	1/4	0.63 (16.01)	I	0.18 (4.58)	0.28 (7.12)	0.81 (20.58)	0.43 (10.93)	2.33 (59.19)	Red	49	1
TCTL2-8-1/4-II-U	EN3750-603	8	1/4	0.75 (19.05)	II	0.18 (4.58)	0.28 (7.12)	0.81 (20.58)	0.43 (10.93)	2.45 (62.23)	Red	49	1
TCTL2-6-1/4-I-U	EN3750-171	6	1/4	0.63 (16.01)	I	0.20 (5.0)	0.3 (7.62)	1.12 (28.45)	0.43 (10.93)	2.65 (67.31)	Blue	7	2
TCTL2-6-1/4-III-U	EN3750-350	6	1/4	1.0 (25.4)	III	0.20 (5.0)	0.3 (7.62)	1.12 (28.45)	0.43 (10.93)	3.03 (76.97)	Blue	7	2
TCTL2-6-3/8-III-U	EN3750-351	6	3/8	1.0 (25.4)	III	0.20 (5.0)	0.3 (7.62)	1.12 (28.45)	0.58 (14.74)	3.22 (81.79)	Blue	7	2
TCTL2-6-3/8-II-U	EN3750-604	6	3/8	0.75 (19.05)	II	0.20 (5.0)	0.3 (7.62)	1.12 (28.45)	0.58 (14.74)	2.97 (75.44)	Blue	7	2
TCTL2-4-1/4-I-U	EN3750-317	4	1/4	0.63 (16.01)	I	0.25 (6.35)	0.34 (8.64)	1.12 (28.45)	0.5 (12.7)	2.7 (68.58)	Gray	8	2
TCTL2-4-1/4-II-U	EN3750-605	4	1/4	0.75 (19.05)	II	0.25 (6.35)	0.34 (8.64)	1.12 (28.45)	0.5 (12.7)	2.83 (71.89)	Gray	8	2
TCTL2-4-1/2-IV-U	EN3750-606	4	1/2	1.75 (44.45)	IV	0.25 (6.35)	0.34 (8.64)	1.12 (28.45)	0.81 (20.58)	4.45 (113.03)	Gray	8	2
TCTL2-2-1/4-I-U	EN3750-007	2	1/4	0.63 (16.01)	I	0.31 (7.88)	0.42 (10.67)	1.25 (31.75)	0.61 (15.5)	3.05 (77.47)	Brown	9	2
TCTL2-2-1/4-II-U	EN3750-607	2	1/4	0.75 (19.05)	II	0.31 (7.88)	0.42 (10.67)	1.25 (31.75)	0.61 (15.5)	3.17 (80.52)	Brown	9	2
TCTL2-2-5/16-II-U	EN3750-608	2	5/16	0.75 (19.05)	II	0.31 (7.88)	0.42 (10.67)	1.25 (31.75)	0.61 (15.5)	3.17 (80.52)	Brown	9	2
TCTL2-2-3/8-IV-U	EN3750-427	2	3/8	1.75 (44.45)	IV	0.31 (7.88)	0.42 (10.67)	1.25 (31.75)	0.61 (15.5)	4.17 (105.92)	Brown	9	2
TCTL2-2-3/8-III-U	EN3750-352	2	3/8	1.0 (25.4)	III	0.31 (7.88)	0.42 (10.67)	1.25 (31.75)	0.61 (15.5)	3.42 (86.87)	Brown	9	2
TCTL2-2-1/2-IV-U	EN3750-353	2	1/2	1.75 (44.45)	IV	0.31 (7.88)	0.42 (10.67)	1.25 (31.75)	0.61 (15.5)	4.17 (105.92)	Brown	9	2
TCTL2-1-1/4-I-U	EN3750-609	1	1/4	0.63 (16.01)	I	0.36 (9.15)	0.47 (11.94)	1.38 (35.06)	0.68 (17.28)	3.68 (93.48)	Green	11	2
TCTL2-1-1/4-II-U	EN3750-610	1	1/4	0.75 (19.05)	II	0.36 (9.15)	0.47 (11.94)	1.38 (35.06)	0.68 (17.28)	3.8 (96.52)	Green	11	2
TCTL2-1-5/16-II-U	EN3750-611	1	5/16	0.75 (19.05)	II	0.36 (9.15)	0.47 (11.94)	1.38 (35.06)	0.68 (17.28)	3.8 (96.52)	Green	11	2
TCTL2-1-3/8-III-U	EN3750-612	1	3/8	1.0 (25.4)	III	0.36 (9.15)	0.47 (11.94)	1.38 (35.06)	0.68 (17.28)	4.05 (102.87)	Green	11	2
TCTL2-1-1/2-IV-U	EN3750-613	1	1/2	1.75 (44.45)	IV	0.36 (9.15)	0.47 (11.94)	1.38 (35.06)	0.75 (19.05)	4.82 (122.43)	Green	11	2
TCTL2-1/0-1/4-I-U	EN3750-004	1/0	1/4	0.63 (16.01)	I	0.4 (10.16)	0.52 (13.21)	1.38 (35.06)	0.75 (19.05)	3.62 (91.95)	Pink	12	2
TCTL2-1/0-1/4-II-U	EN3750-452	1/0	1/4	0.75 (19.05)	II	0.4 (10.16)	0.52 (13.21)	1.38 (35.06)	0.75 (19.05)	3.75 (95.25)	Pink	12	2
TCTL2-1/0-5/16-III-U	EN3750-318	1/0	5/16	1.0 (25.4)	III	0.4 (10.16)	0.52 (13.21)	1.38 (35.06)	0.75 (19.05)	4.02 (102.11)	Pink	12	2
TCTL2-1/0-3/8-III-U	EN3750-005	1/0	3/8	1.0 (25.4)	III	0.4 (10.16)	0.52 (13.21)	1.38 (35.06)	0.75 (19.05)	4.02 (102.11)	Pink	12	2
TCTL2-1/0-3/8-IV-U	EN3750-453	1/0	3/8	1.75 (44.45)	IV	0.4 (10.16)	0.52 (13.21)	1.38 (35.06)	0.75 (19.05)	4.8 (121.92)	Pink	12	2
TCTL2-1/0-1/2-IV-U	EN3750-168	1/0	1/2	1.75 (44.45)	IV	0.4 (10.16)	0.52 (13.21)	1.38 (35.06)	0.81 (20.58)	4.81 (122.18)	Pink	12	2

NOTE:
 1. MATERIAL: ETP-COPPER
 2. FINISH: ELECTRO TIN PLATED
 3. FOR COPPER CONDUCTOR ONLY

THIS DRAWING IS A CONTROLLED DOCUMENT.

DIMENSIONS: INCHES (mm)



TOLERANCES UNLESS OTHERWISE SPECIFIED:
 0 PLC ± -
 1 PLC ± -
 2 PLC ± -
 3 PLC ± -
 4 PLC ± -
 ANGLES ± -

MATERIAL SEE NOTES
 FINISH SEE NOTES

DWN RAVI.S 01DEC2020
 CHK J.OPEL 01DEC2020

APVD J.OPEL 01DEC2020

PRODUCT SPEC
 APPLICATION SPEC

WEIGHT -

CUSTOMER DRAWING



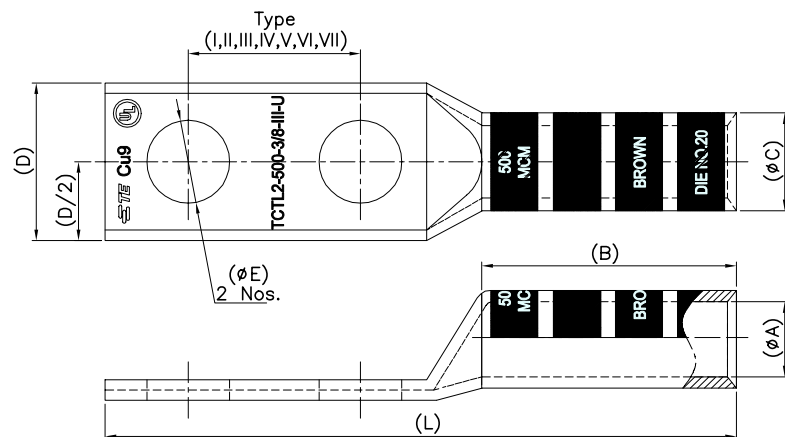
NAME
 COPPER COMPRESSION SLICES
 LONG BARREL - TWO HOLES

SIZE A3 CAGE CODE 00779 DRAWING NO. C-E00001665 RESTRICTED TO -

SCALE NTS SHEET 1 OF 2 REV A

REVISIONS

P	LTR	DESCRIPTION	DATE	DWN	APVD
-	-	SEE SHEET 1	-	-	-

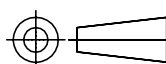


TYPE	Type-I	Type-II	Type-III	Type-IV	Type-V	Type-VI	Type-VII
Stud Hole Spacing (Inches)	0.63	0.75	1.00	1.75	0.50	0.87	1.25

DESCRIPTION	TE Part No. (RPN)	Conductor AWG/MCM	Dimensions in Inch (mm)								Color Code	Die Index No	No. of Crimp
			(E) (Stud Hole)	Stud Hole Spacing	Type	(A) (Barrel ID)	(C) (Barrel OD)	(B) (Barrel Length)	(D) (Palm Width)	(L) (Total Length)			
TCTL2-2/0-1/4-II-U	EN3750-614	2/0	1/4	0.75 (19.05)	II	0.45 (11.43)	0.57 (14.48)	1.5 (38.1)	0.82 (20.83)	3.9 (99.06)	Black	13	2
TCTL2-2/0-3/8-III-U	EN3750-006	2/0	3/8	1.0 (25.4)	III	0.45 (11.43)	0.57 (14.48)	1.5 (38.1)	0.82 (20.83)	4.15 (105.41)	Black	13	2
TCTL2-2/0-1/2-IV-U	EN3750-311	2/0	1/2	1.75 (44.45)	IV	0.45 (11.43)	0.57 (14.48)	1.5 (38.1)	0.82 (20.83)	4.97 (126.24)	Black	13	2
TCTL2-3/0-1/4-II-U	EN3750-616	3/0	1/4	0.75 (19.05)	II	0.49 (12.45)	0.62 (15.75)	1.5 (38.1)	0.91 (23.12)	4 (101.6)	Orange	14	2
TCTL2-3/0-3/8-III-U	EN3750-617	3/0	3/8	1.0 (25.4)	III	0.49 (12.45)	0.62 (15.75)	1.5 (38.1)	0.91 (23.12)	4.25 (107.95)	Orange	14	2
TCTL2-4/0-1/4-II-U	EN3750-618	4/0	1/4	0.75 (19.05)	II	0.56 (14.23)	0.7 (17.78)	1.62 (41.15)	1.0 (25.4)	4.15 (105.41)	Purple	15	2
TCTL2-4/0-3/8-IV-U	EN3750-454	4/0	3/8	1.75 (44.45)	IV	0.56 (14.23)	0.7 (17.78)	1.62 (41.15)	1.0 (25.4)	5.15 (130.81)	Purple	15	2
TCTL2-4/0-3/8-III-U	EN3750-355	4/0	3/8	1.0 (25.4)	III	0.56 (14.23)	0.7 (17.78)	1.62 (41.15)	1.0 (25.4)	4.4 (111.76)	Purple	15	2
TCTL2-4/0-1/2-IV-U	EN3750-170	4/0	1/2	1.75 (44.45)	IV	0.56 (14.23)	0.7 (17.78)	1.62 (41.15)	1.0 (25.4)	5.17 (131.32)	Purple	15	2
TCTL2-250-3/8-III-U	EN3750-356	250	3/8	1.0 (25.4)	III	0.6 (15.24)	0.76 (19.31)	1.62 (41.15)	1.09 (27.69)	4.46 (113.29)	Yellow	16	2
TCTL2-250-1/2-IV-U	EN3750-167	250	1/2	1.75 (44.45)	IV	0.6 (15.24)	0.76 (19.31)	1.62 (41.15)	1.09 (27.69)	5.21 (132.34)	Yellow	16	2
TCTL2-300-3/8-III-U	EN3750-357	300	3/8	1.0 (25.4)	III	0.65 (16.51)	0.82 (20.83)	2 (50.8)	1.2 (30.48)	4.89 (124.21)	White	17	4
TCTL2-300-1/2-IV-U	EN3750-165	300	1/2	1.75 (44.45)	IV	0.65 (16.51)	0.82 (20.83)	2 (50.8)	1.2 (30.48)	5.64 (143.26)	White	17	4
TCTL2-350-1/4-II-U	EN3750-620	350	1/4	0.75 (19.05)	II	0.7 (17.78)	0.88 (22.36)	2 (50.8)	1.29 (32.77)	5.64 (143.26)	Red	18	4
TCTL2-350-3/8-III-U	EN3750-358	350	3/8	1.0 (25.4)	III	0.7 (17.78)	0.88 (22.36)	2 (50.8)	1.29 (32.77)	4.85 (123.19)	Red	18	4
TCTL2-350-1/2-IV-U	EN3750-166	350	1/2	1.75 (44.45)	IV	0.7 (17.78)	0.88 (22.36)	2 (50.8)	1.29 (32.77)	5.68 (144.28)	Red	18	4
TCTL2-400-3/8-III-U	EN3750-621	400	3/8	1.0 (25.4)	III	0.76 (19.31)	0.96 (24.39)	2.12 (53.85)	1.38 (35.06)	5 (127)	Blue	19	4
TCTL2-400-1/2-IV-U	EN3750-164	400	1/2	1.75 (44.45)	IV	0.76 (19.31)	0.96 (24.39)	2.12 (53.85)	1.38 (35.06)	5.85 (148.59)	Blue	19	4
TCTL2-500-1/4-II-U	EN3750-622	500	1/4	0.75 (19.05)	II	0.83 (21.09)	1.07 (27.18)	2.25 (57.15)	1.54 (39.12)	4.85 (123.19)	Brown	20	4
TCTL2-500-3/8-III-U	EN3750-359	500	3/8	1.0 (25.4)	III	0.83 (21.09)	1.07 (27.18)	2.25 (57.15)	1.54 (39.12)	5.1 (129.54)	Brown	20	4
TCTL2-500-1/2-IV-U	EN3750-163	500	1/2	1.75 (44.45)	IV	0.83 (21.09)	1.07 (27.18)	2.25 (57.15)	1.54 (39.12)	6.06 (153.93)	Brown	20	4
TCTL2-600-3/8-III-U	EN3750-623	600	3/8	1.0 (25.4)	III	0.92 (23.37)	1.19 (30.23)	2.69 (68.33)	1.71 (43.44)	5.59 (141.99)	Green	22	4
TCTL2-600-1/2-IV-U	EN3750-624	600	1/2	1.75 (44.45)	IV	0.92 (23.37)	1.19 (30.23)	2.69 (68.33)	1.71 (43.44)	6.59 (167.39)	Green	22	4
TCTL2-750-1/2-IV-U	EN3750-161	750	1/2	1.75 (44.45)	IV	1.03 (26.17)	1.31 (33.28)	2.88 (73.16)	1.89 (48.01)	6.87 (174.5)	Black	24	4
TCTL2-750-3/8-III-U	EN3750-625	750	3/8	1.0 (25.4)	III	1.03 (26.17)	1.31 (33.28)	2.88 (73.16)	1.89 (48.01)	5.87 (149.1)	Black	24	4
TCTL2-1000-1/2-IV-U	EN3750-162	1000	1/2	1.75 (44.45)	IV	1.17 (29.72)	1.51 (38.36)	2 (76.2)	2.19 (55.63)	7.14 (181.36)	White	27	4

THIS DRAWING IS A CONTROLLED DOCUMENT.

DIMENSIONS: INCHES (mm)



MATERIAL SEE NOTES

TOLERANCES UNLESS OTHERWISE SPECIFIED:

- 0 PLC ± -
- 1 PLC ± -
- 2 PLC ± -
- 3 PLC ± -
- 4 PLC ± -
- ANGLES ± -

FINISH SEE NOTES

DWN RAVI.S 01DEC2020

CHK J.OPEL 01DEC2020

APVD J.OPEL 01DEC2020

PRODUCT SPEC

APPLICATION SPEC

WEIGHT -

CUSTOMER DRAWING



COPPER COMPRESSION SLICES LONG BARREL - TWO HOLES

SIZE CAGE CODE DRAWING NO RESTRICTED TO

A3 00779 C-E00001665

SCALE NTS SHEET 2 OF 2 REV A