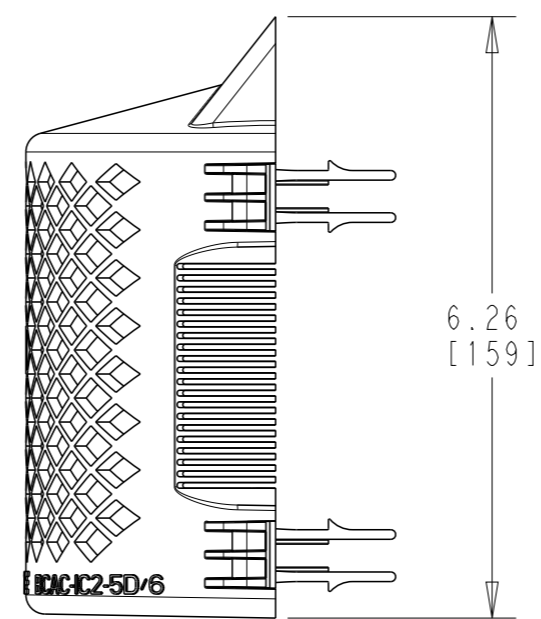
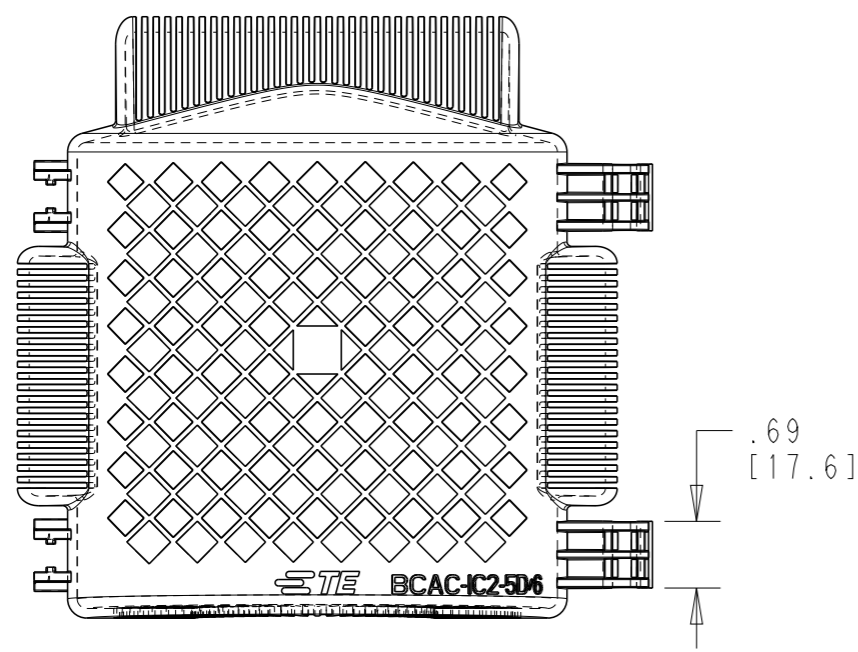
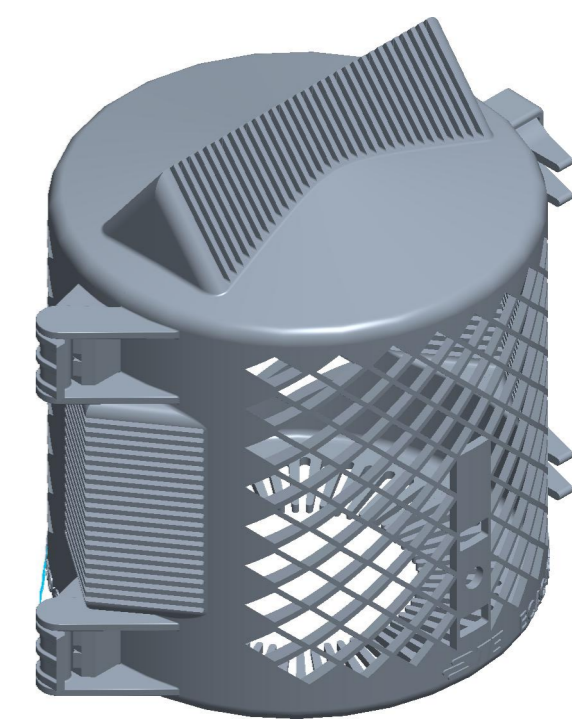
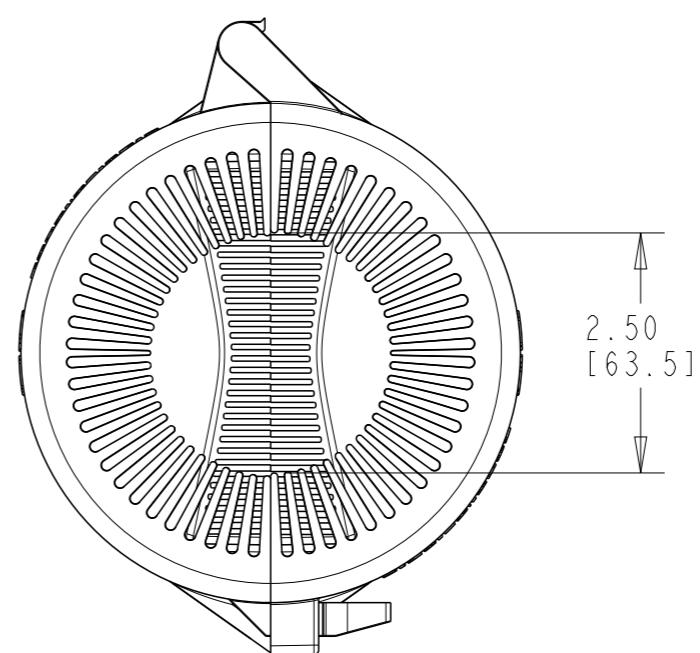
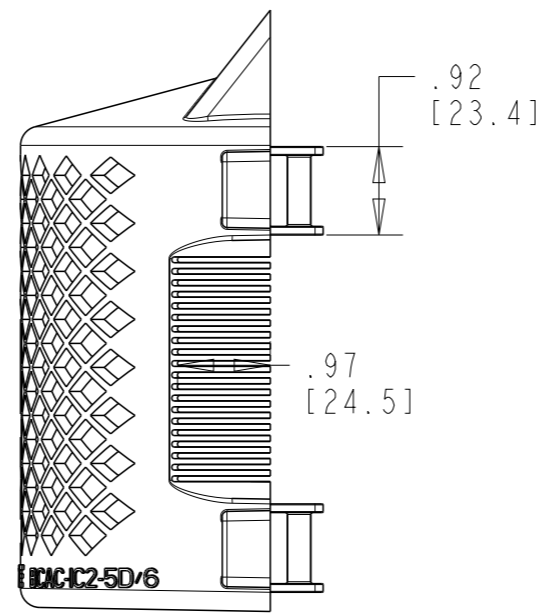
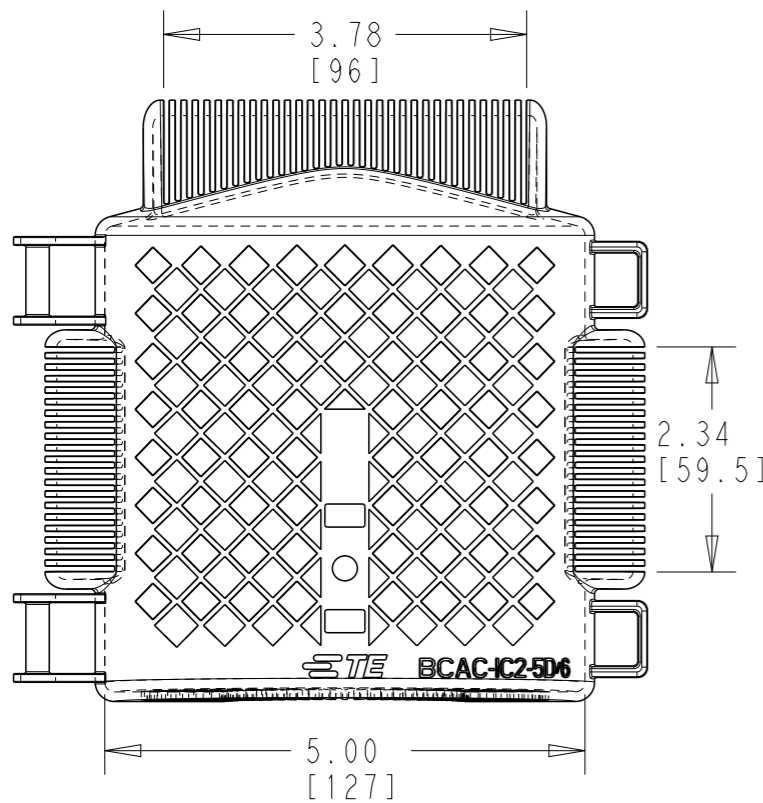


P	LTR	DESCRIPTION	DATE	DWN	APVD
A		INITIAL RELEASE	27JAN2021	SL	LH
A3		REVISED PER ECR-24-206030	25MAR2024	MT	LH



TCPN	DESCRIPTION	MATERIAL
EP6205-000	BCAC-G-IC2-5D/6(B6)	TE STANDARD GRAY
EP6206-000	BCAC-IC2-5D/6(B6)	TE STANDARD RED
EP5611-000	BCAC-P-IC2-5D/6(B6)	GRAY POLYMER
ES4054-000	BCAC+G-IC2-5D/6(B6)	TE STANDARD GRAY V0

THIS DRAWING IS A CONTROLLED DOCUMENT.		DWN	SL	27JAN2021
DIMENSIONS: in [mm]		CHK	LH	27JAN2021
TOLERANCES UNLESS OTHERWISE SPECIFIED:		APVD	LH	27JAN2021
0 PLC	±-	PRODUCT SPEC		
1 PLC	±.1	APPLICATION SPEC		
2 PLC	±.02	WEIGHT		
3 PLC	±.005	CUSTOMER DRAWING		
4 PLC	±.0005	SCALE 1:2		
ANGLES	±-	SHEET 1 OF 1		
MATERIAL	FINISH	REV A3		

STE TE Connectivity

NAME
BCAC-IC2-5D/6
BCAC-G-IC2-5D/6
BCAC-P-IC2-5D/6

SIZE A3 CAGE CODE 00779 DRAWING NO. C-E00001829 RESTRICTED TO -

- NOTES:
- PARTS ARE KITTET 6 ASSEMBLIES PER BOX. EACH ASSEMBLY CONSISTS OF TWO HALVES SNAPPED TOGETHER. PII EN6253-149 ALSO INCLUDED.
 - EACH BOX SHALL BE LABELLED WITH PART DESCRIPTION, PART NUMBER, LOT NUMBER, MANUFACTURING DATE, AND QUANTITY