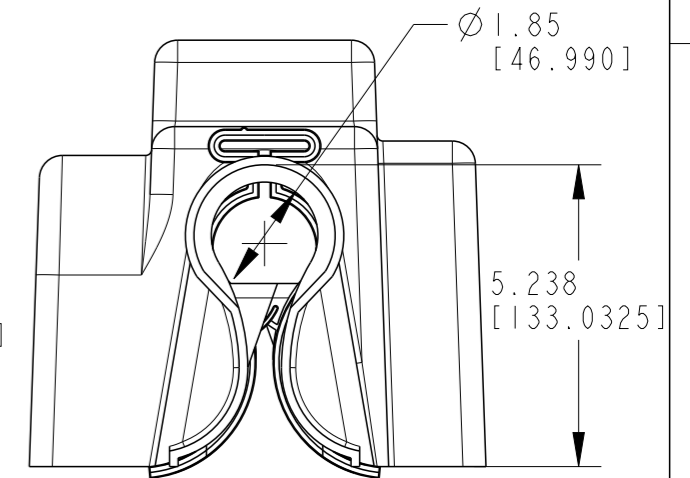
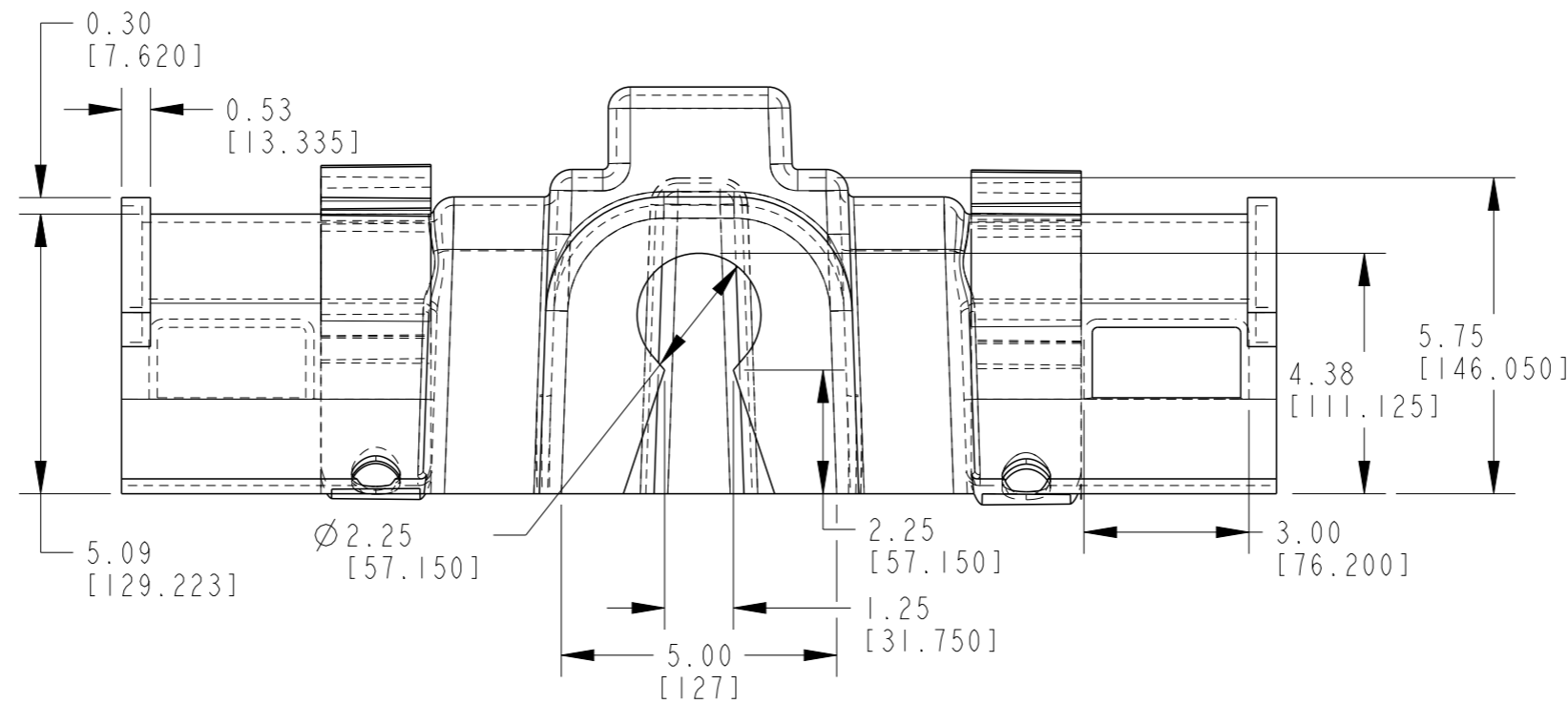
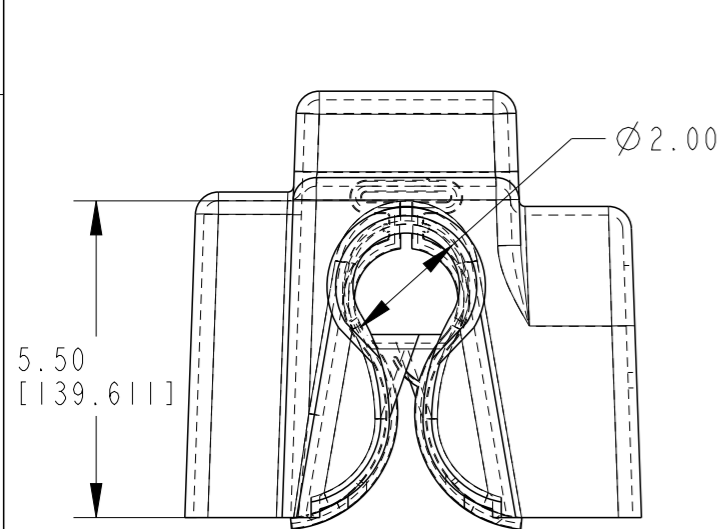
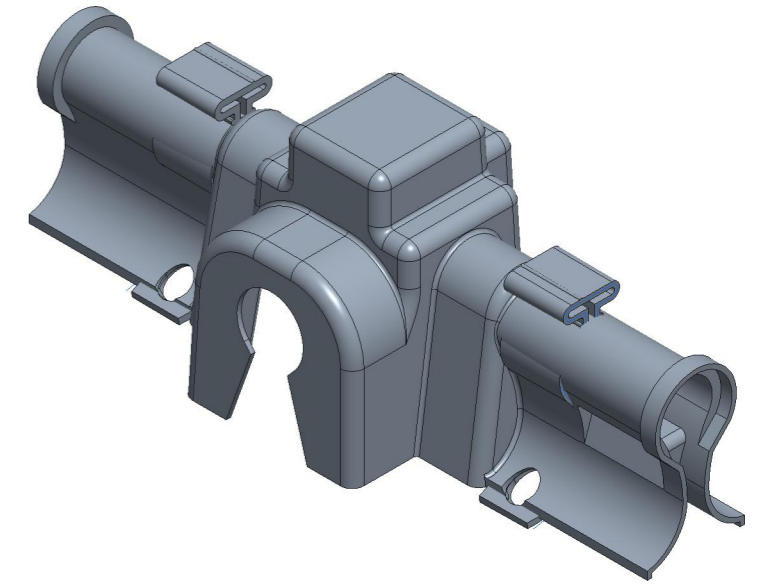
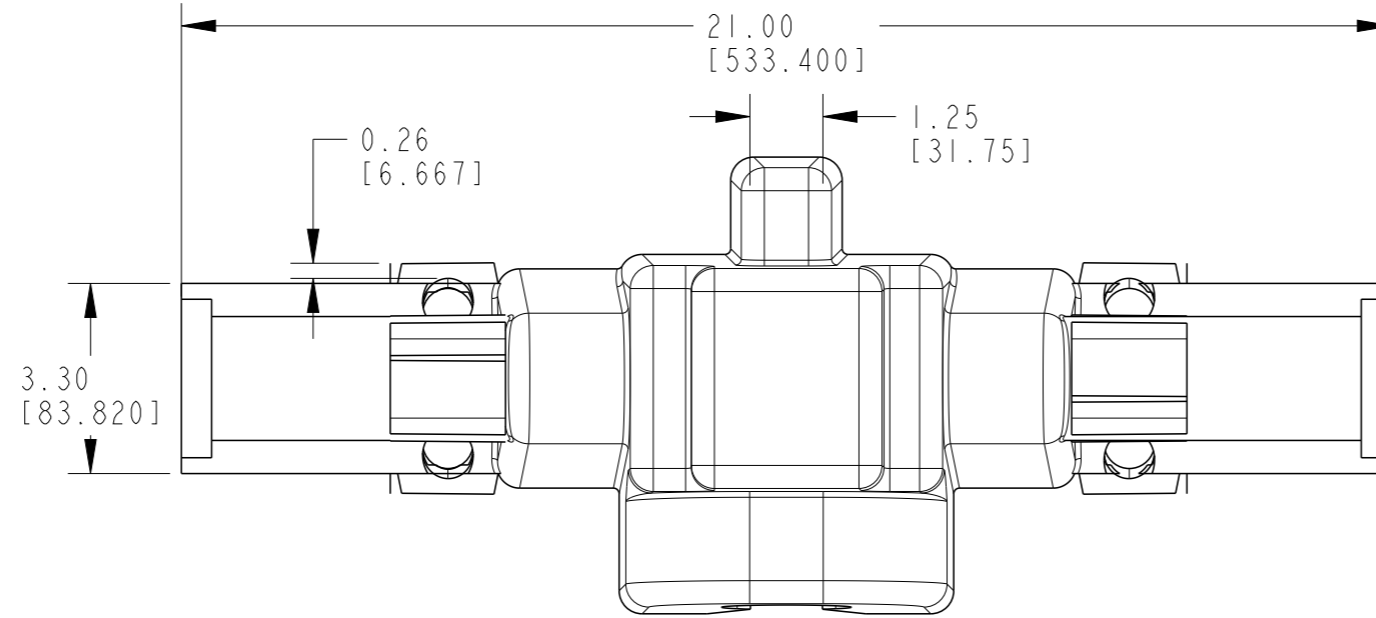


P	LTR	DESCRIPTION	DATE	DWN	APVD
A		INITIAL RELEASE	17MAR2021	AS	LH
B		TYPO CORRECTION	24NOV2022	HM	LH
BI		REV. PER ECN-24-273738	03MAY2024	SP	LH



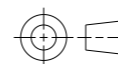
TCPN	DESCRIPTION	MATERIAL
EK0649-000	BCIC-GT-HZ(B6)	TE STANDARD GRAY
ES3175-000	BCIC+GT-HZ(B6)	TE STANDARD GRAY V0

NOTES:

1. KITTED 6 PER BOX w/ P11-70140
2. EACH BOX SHALL BE LABELLED WITH DESCRIPTION, LOT NUMBER, PART NUMBER MANUFACTURING DATE, AND QUANTITY.

THIS DRAWING IS A CONTROLLED DOCUMENT.

DIMENSIONS:
INCH[MM]



MATERIAL
SEE NOTES

TOLERANCES UNLESS OTHERWISE SPECIFIED:

- 0 PLC ±
- 1 PLC ±0.1
- 2 PLC ±0.02
- 3 PLC ±
- 4 PLC ±
- ANGLES ±1/2°
- FINISH

DWN A. SABARAD 17MAR2021

CHK S. LIGHT 17MAR2021

APVD L. HILLER 17MAR2021

PRODUCT SPEC

APPLICATION SPEC

WEIGHT

CUSTOMER DRAWING



TE Connectivity

NAME
BCIC-GT-HZ

SIZE CAGE CODE DRAWING NO RESTRICTED TO

A3 00779 C-E00001844

SCALE NTS SHEET 1 OF 1 REV BI