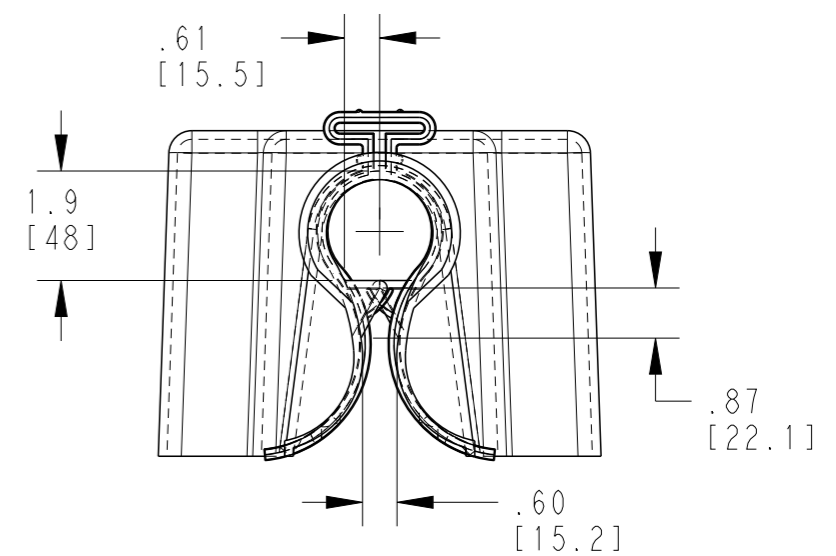
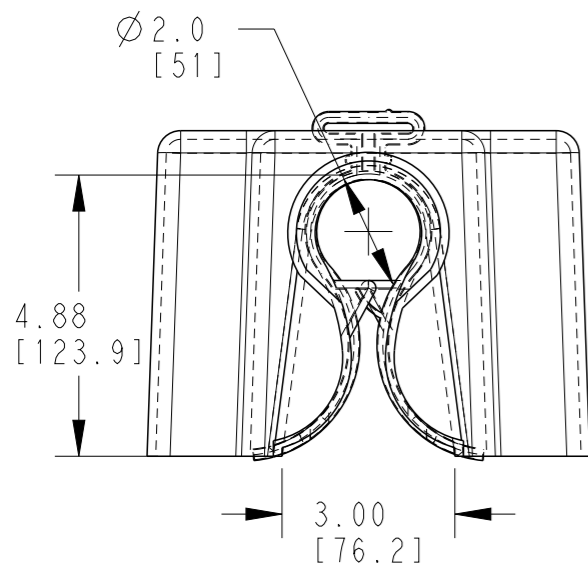
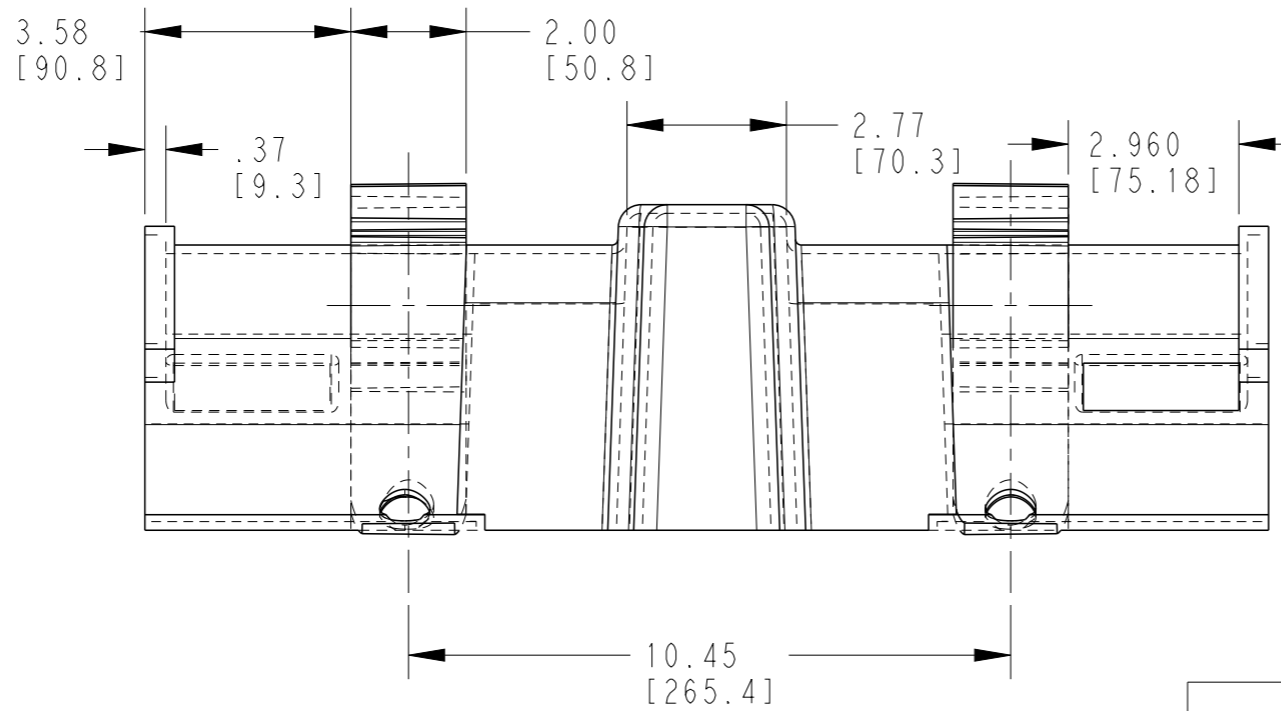
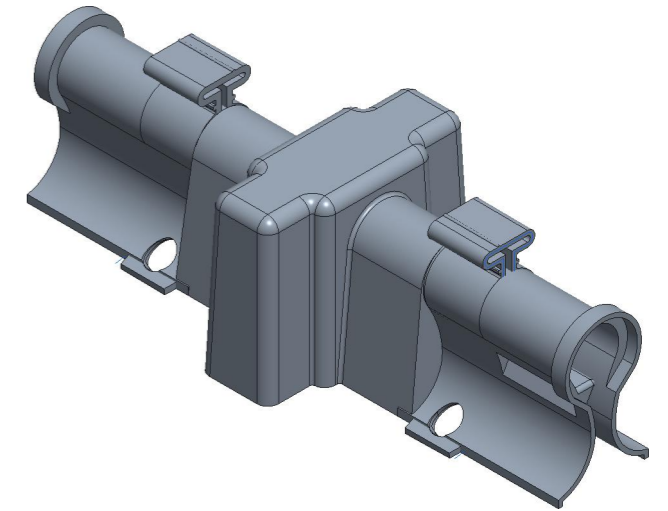
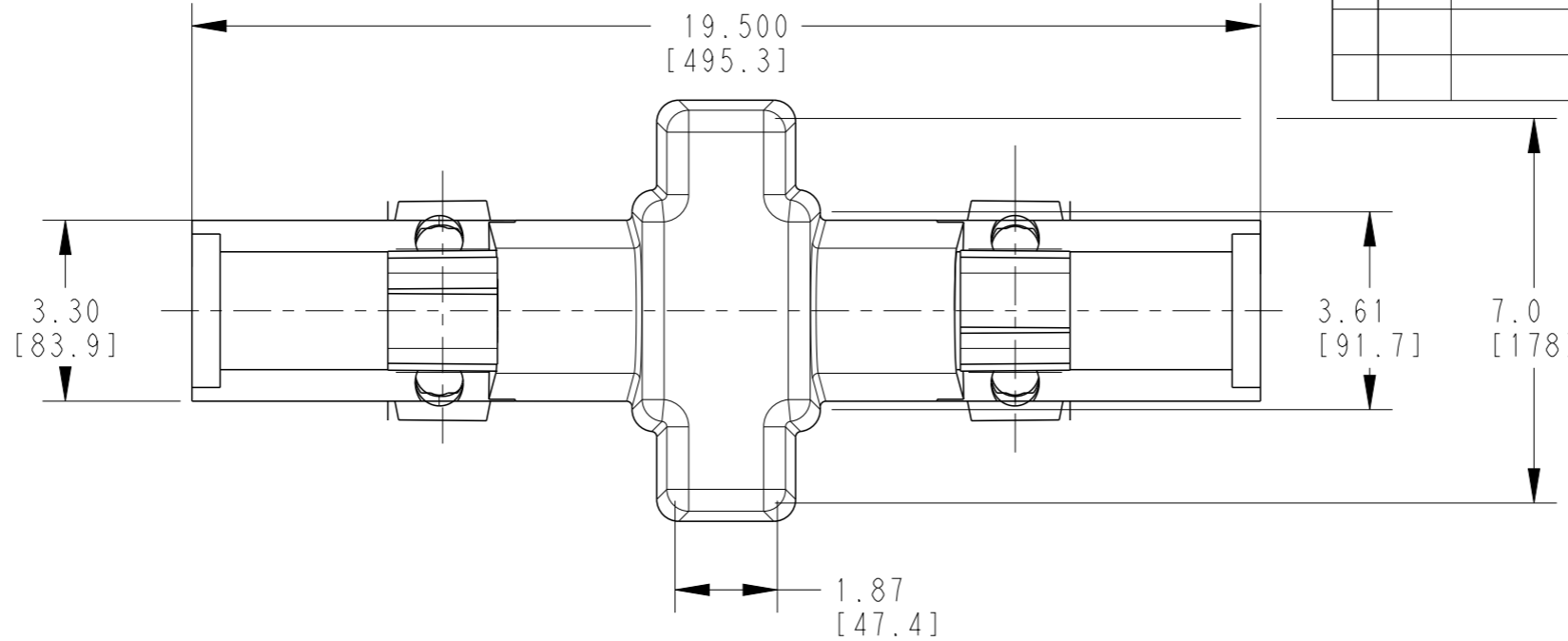


P	LTR	DESCRIPTION	DATE	DWN	APVD
	A	INITIAL RELEASE	29APR2021	AS	LH
	A1	REV.PER ECN-24-273738	03MAY2024	SP	LH



TCPN	DESCRIPTION	MATERIAL
EK0650-000	BCIC-GT-PIN/CT(B6)	TE STANDARD GRAY
ES3174-000	BCIC+GT-PIN/CT(B6)	TE STANDARD GRAY V0

NOTES:

1. MATERIAL: TE THICK GRAY BCIS
2. EACH BOX SHALL BE LABELLED WITH DESCRIPTION, LOT NUMBER, PART NUMBER, MANUFACTURING DATE, AND QUANTITY
3. KITTED 6 PER BOX

THIS DRAWING IS A CONTROLLED DOCUMENT.		DWN A. SABARAD 29APR2021														
DIMENSIONS: INCH (MM)		CHK S. LIGHT 29APR2021														
TOLERANCES UNLESS OTHERWISE SPECIFIED:		APVD L. HILLER 29APR2021	NAME BCIC-GT-PIN/CT													
<table border="1"> <tr> <td>0 PLC</td> <td>±</td> </tr> <tr> <td>1 PLC</td> <td>±0.1</td> </tr> <tr> <td>2 PLC</td> <td>±0.01</td> </tr> <tr> <td>3 PLC</td> <td>±0.005</td> </tr> <tr> <td>4 PLC</td> <td>±</td> </tr> <tr> <td>ANGLES</td> <td>±1/2°</td> </tr> </table>		0 PLC	±	1 PLC	±0.1	2 PLC	±0.01	3 PLC	±0.005	4 PLC	±	ANGLES	±1/2°	PRODUCT SPEC	RESTRICTED TO	
0 PLC	±															
1 PLC	±0.1															
2 PLC	±0.01															
3 PLC	±0.005															
4 PLC	±															
ANGLES	±1/2°															
MATERIAL		APPLICATION SPEC	SIZE A3	CAGE CODE 00779	DRAWING NO G-E00001846											
FINISH		WEIGHT	SCALE NTS		SHEET 1 OF 1											
		CUSTOMER DRAWING	REV A1													