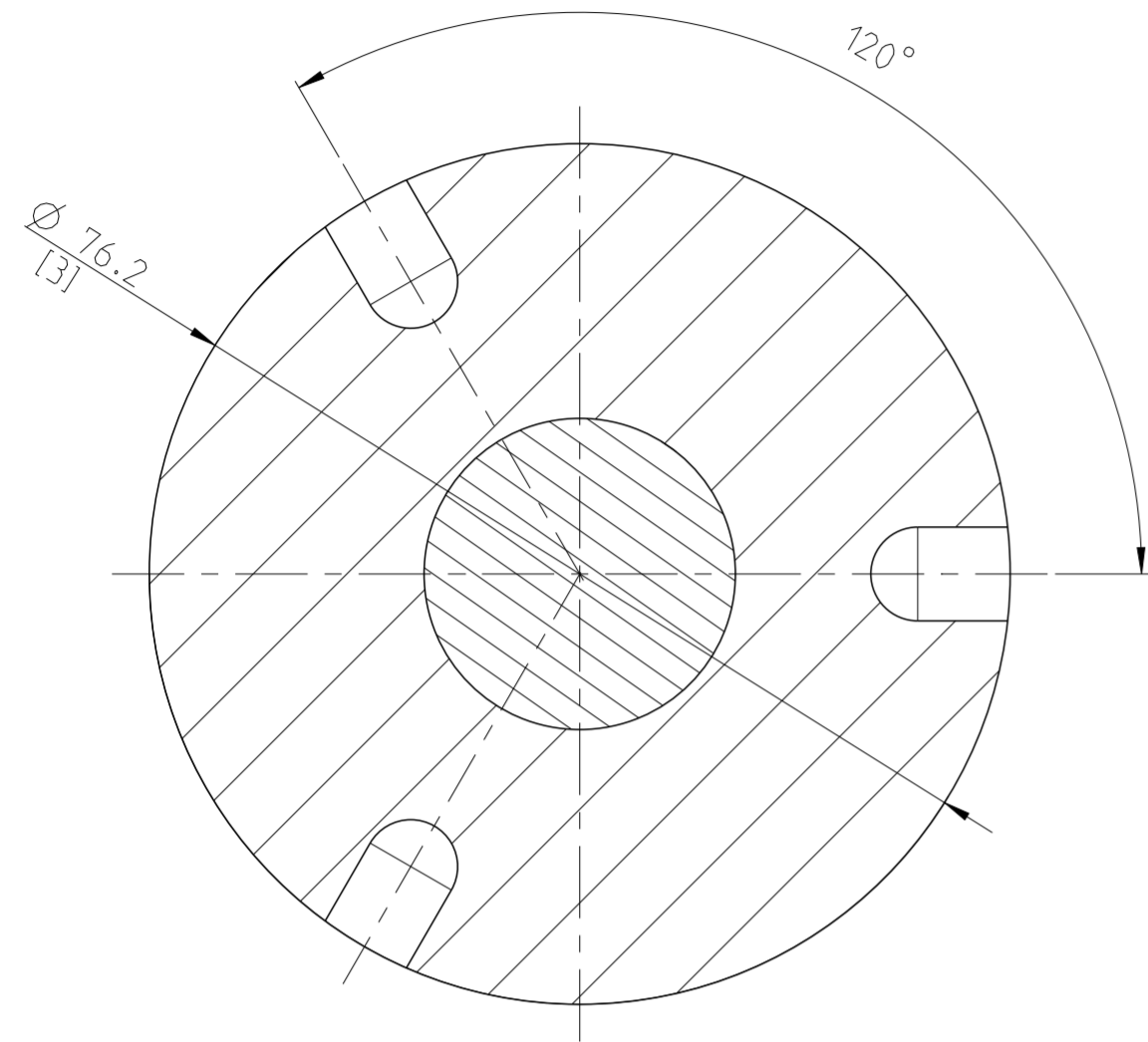
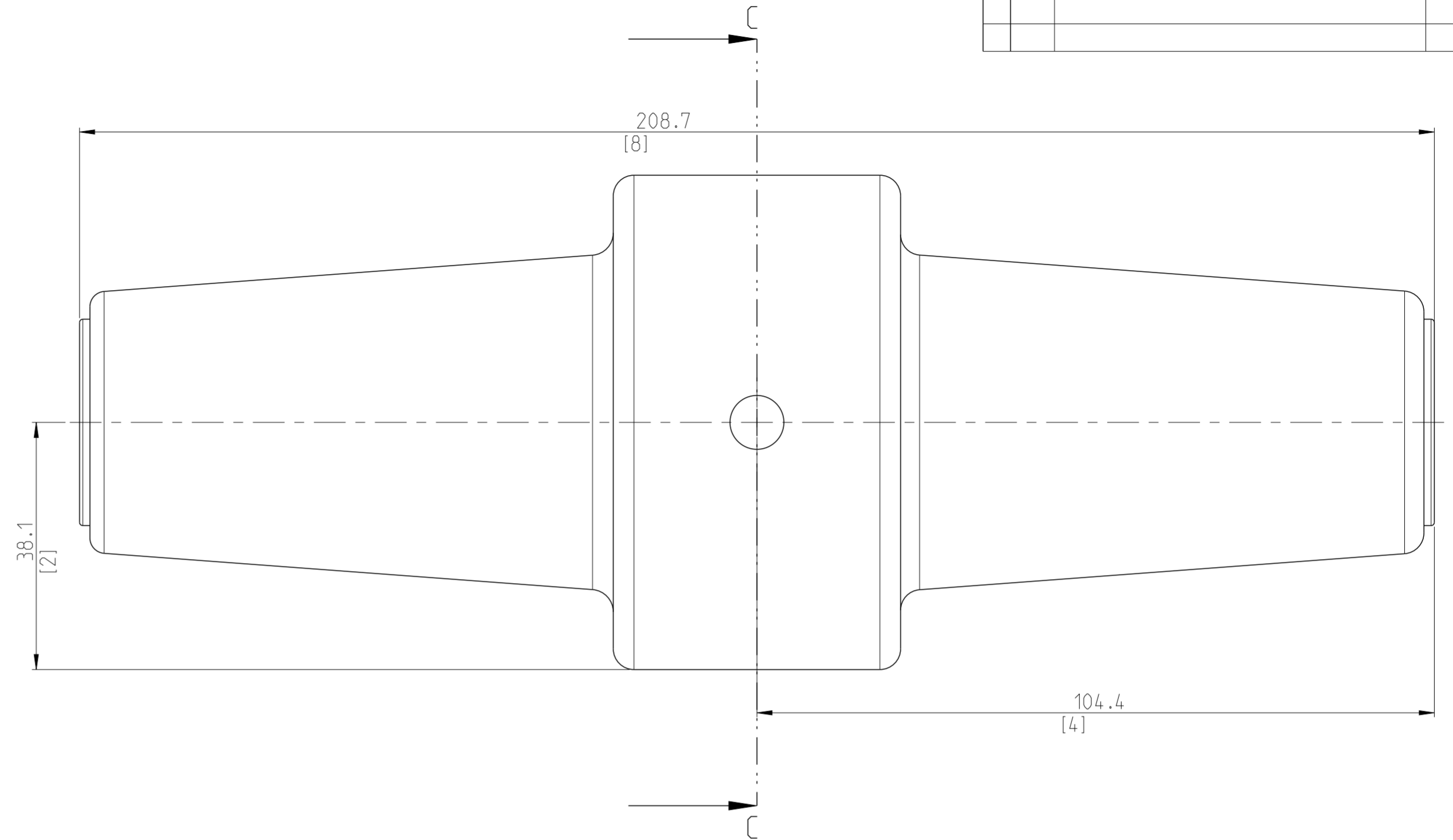


P	LTR	DESCRIPTION	DATE	DWN	APVD
	A	INITIAL RELEASE	14AUG2023	MS	W DE



SECTION C-C



ELB-15/28-900-CP-CU



ELB-15/28-600-CP-AL

TCPN	DESCRIPTION	MATERIAL
ED0514-000	ELB-15/28-600-CP-AL	ALUMINIUM
CX5613-000	ELB-15/28-900-CP-CU	COPPER

THIS DRAWING IS A CONTROLLED DOCUMENT.		DWN M. SARVESH 14AUG2023	TE Connectivity	
DIMENSIONS: mm[in]		CHK C. JASON N 15AUG2023		
TOLERANCES UNLESS OTHERWISE SPECIFIED:		APVD W. DAVID E 15AUG2023	NAME ELB-15/28-600-CP-AL ELB-15/28-900-CP-CU 15/28kV CONNECTING PLUG	
0 PLC ± 1 PLC ±0.2 2 PLC ±0.07 3 PLC ±0.009 4 PLC ±0.0001 ANGLES ± FINISH -		PRODUCT SPEC -	SIZE A2	CAGE CODE 100779
MATERIAL EPOXY BLACK		APPLICATION SPEC -	DRAWING NO E-00002072-C	RESTRICTED TO -
		WEIGHT -	SCALE 5:1	SHEET 1 OF 1
		CUSTOMER DRAWING	REV A	