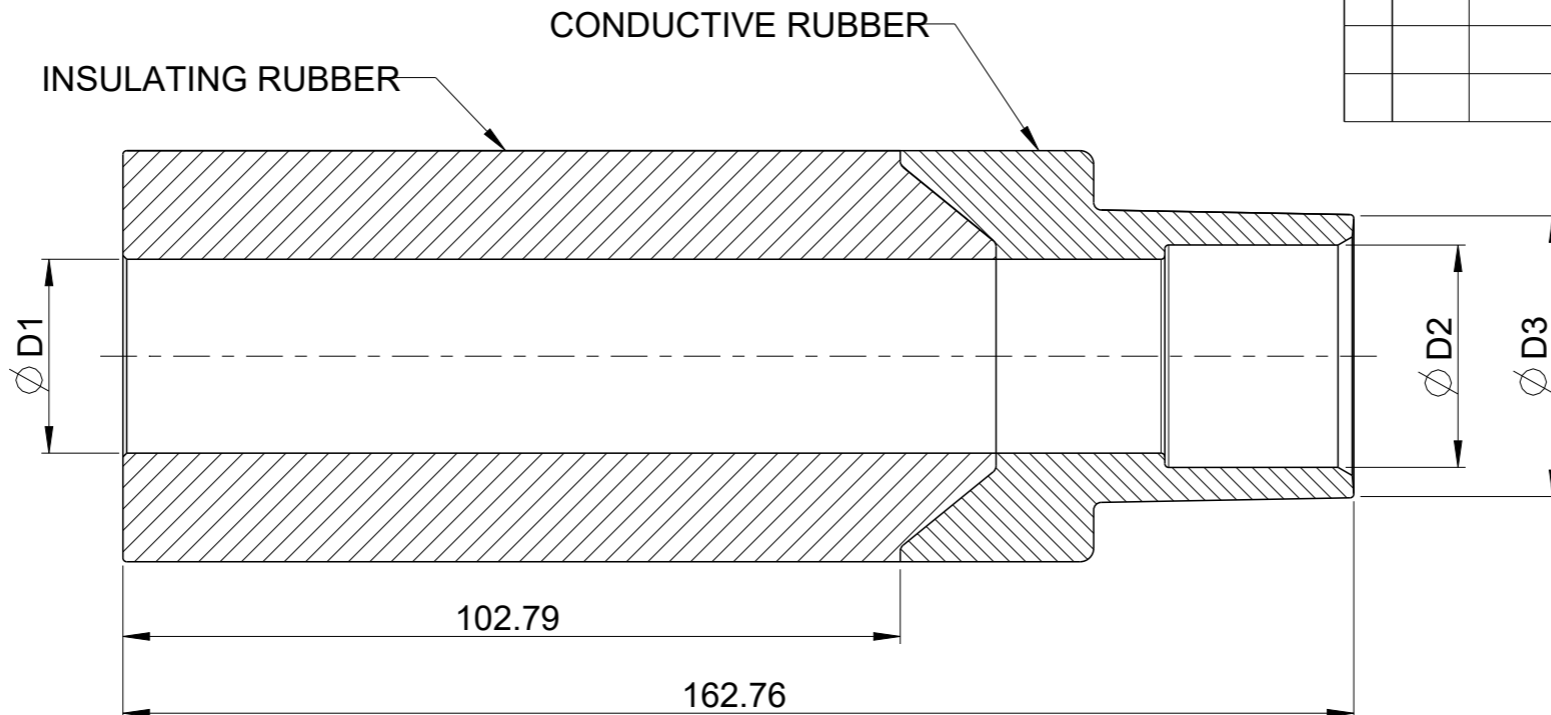
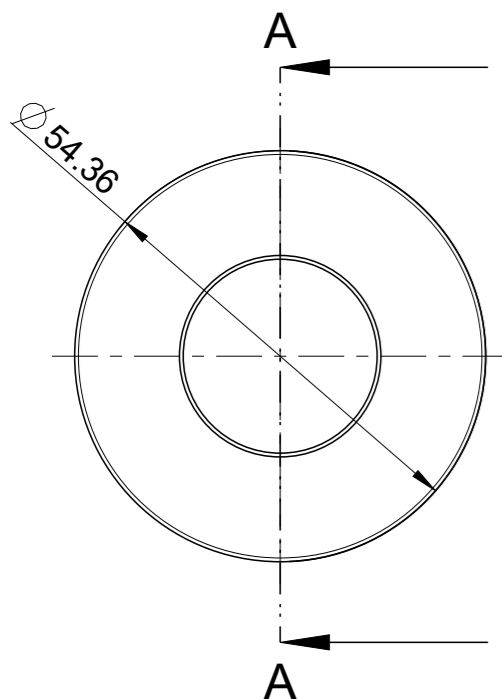


REVISIONS

P	LTR	DESCRIPTION	DATE	DWN	APVD
	A	PRELIMINARY DRAWING	05AUG2022	MS	WDE



ADAPTER [A - J]



ADAPTER K



ADAPTER L

ITEM NO	TCPN	DESCRIPTION	∅ D1	∅ D2	∅ D3
1	ES0614-000	ELB-15/28-600-CA-A	15.49	19.05	27.97
2	ES0615-000	ELB-15/28-600-CA-B	17.53	21.09	27.97
3	ES0617-000	ELB-15/28-600-CA-C	18.67	22.23	30.51
4	ES0618-000	ELB-15/28-600-CA-D	21.84	25.40	37.34
5	ES0619-000	ELB-15/28-600-CA-E	23.37	26.93	37.34
6	ES0620-000	ELB-15/28-600-CA-F	25.64	29.39	37.34
7	ES0621-000	ELB-15/28-600-CA-G	29.21	32.77	44.74
8	ES0622-000	ELB-15/28-600-CA-H	32.51	36.07	44.74
9	ES0623-000	ELB-15/28-600-CA-J	35.56	39.37	44.74
10	ES0624-000	ELB-15/28-600-CA-K	39.36	42.93	49.47
11	ES0625-000	ELB-15/28-600-CA-L	42.93	46.49	54.36



NOTE:

1 END TAPERS FROM D3 TO ∅ 54.36.

THIS DRAWING IS A CONTROLLED DOCUMENT.		DWN M. SARVESH 05AUG2022		
DIMENSIONS: mm		CHK C. JASON N 05AUG2022		
TOLERANCES UNLESS OTHERWISE SPECIFIED:		APVD W. DAVID E 05AUG2022	NAME 15/28kV 600A ELBOW ADAPTERS A - L	
0 PLC ±-		PRODUCT SPEC	-	
1 PLC ±0.5		APPLICATION SPEC	-	
2 PLC ±0.13		WEIGHT	-	
3 PLC ±0.013		CUSTOMER DRAWING	SIZE A3	CAGE CODE 00779
4 PLC ±0.0001		SCALE	DRAWING NO E00002076-C	RESTRICTED TO
ANGLES ±-		SCALE	5:1	SHEET 1 OF 1
FINISH		SCALE	5:1	REV A
-		SCALE	5:1	REV A
finish_spec_2		SCALE	5:1	REV A