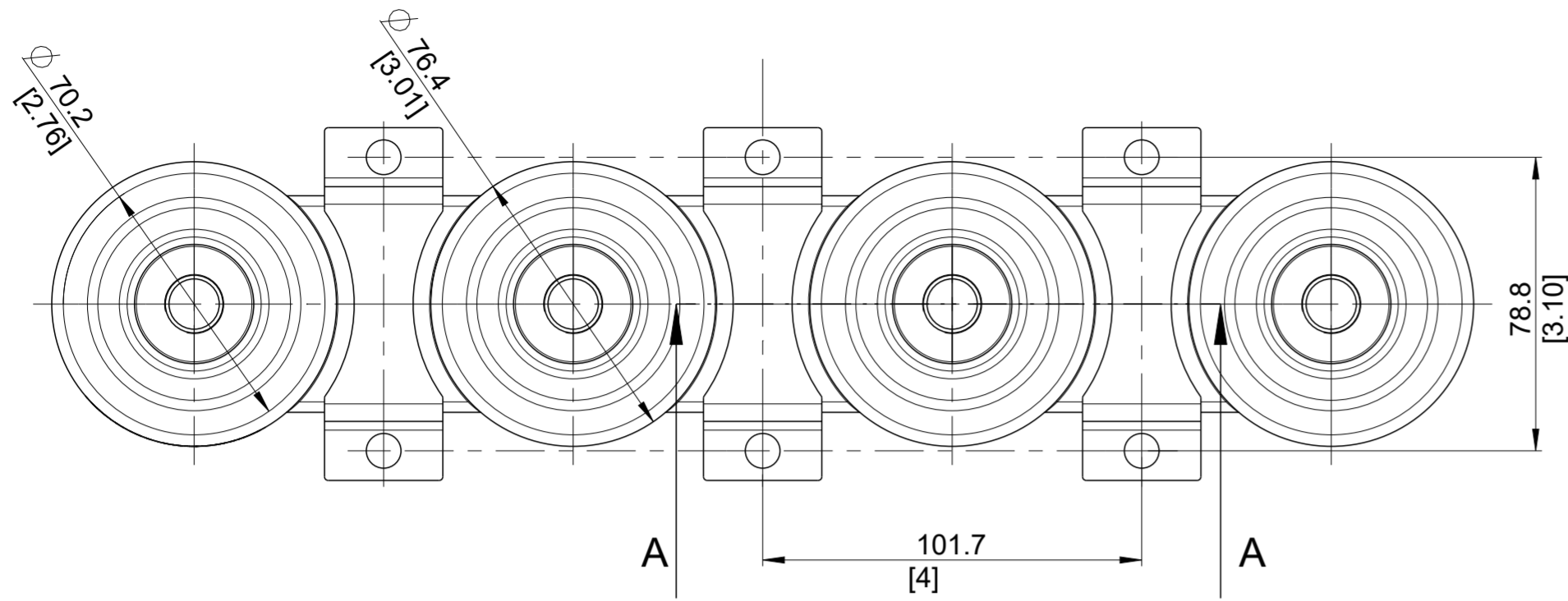
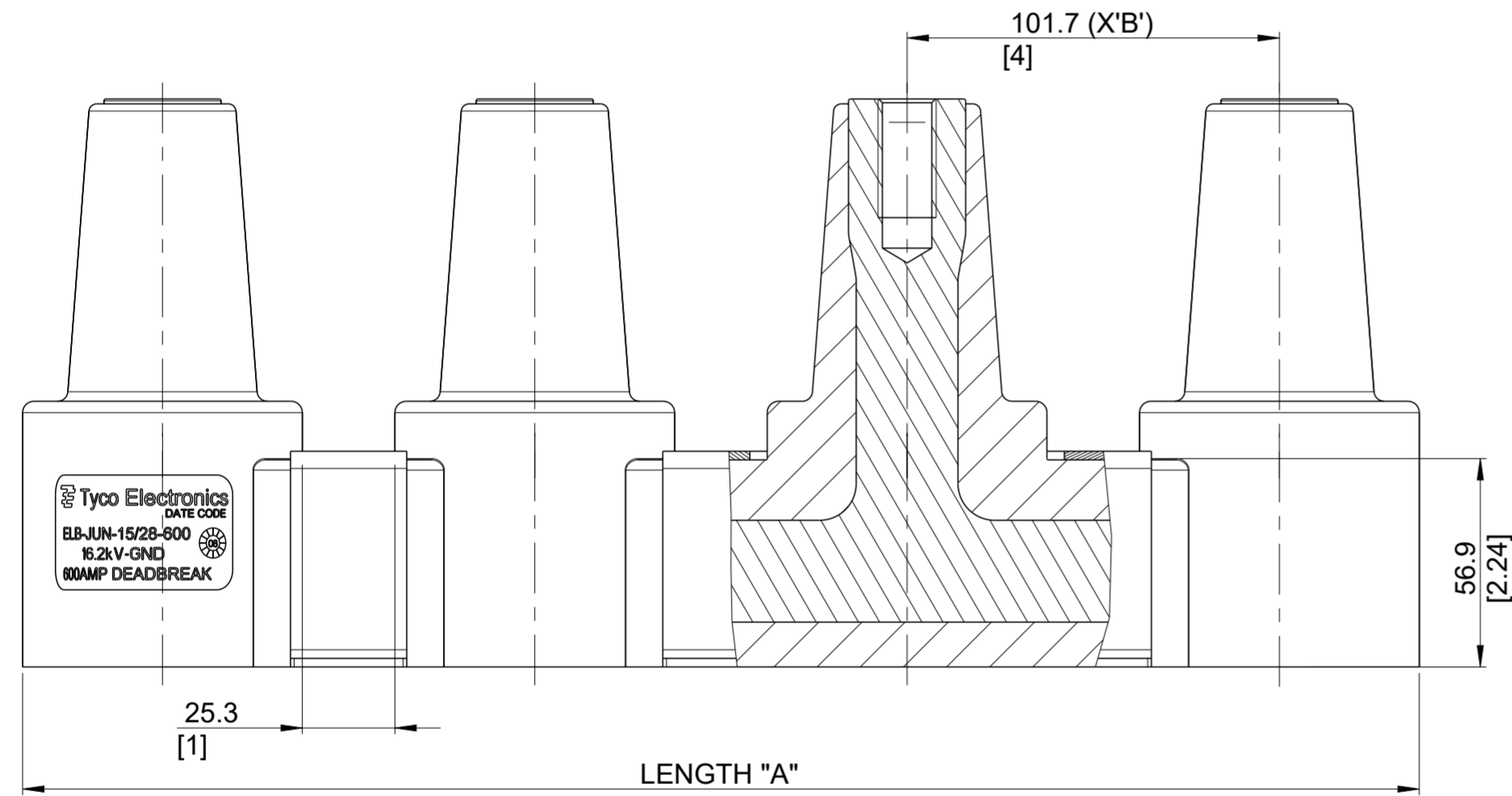


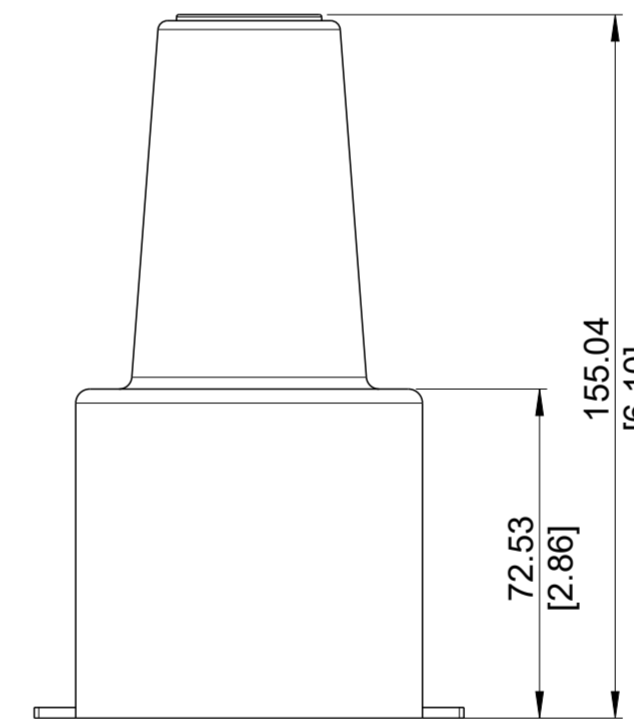
REVISIONS					
P	LTR	DESCRIPTION	DATE	DWN	APVD
	A	INITIAL RELEASE	30DEC2022	MS	WDE



ELB-15/28-600-J4-AL



SECTION A-A



ELB-15/28-600-J4-AL



ELB-15/28-600-J4-AL

NOTE:

- 1. THE JUNCTION ADAPTER SHOWN IS THE 4 WAY. REFER TABLE FOR OTHER VARIANTS.

TCPN	DESCRIPTION	CONDUCTOR MATERIAL	LENGTH 'A'	POSITION	X'B'
ED0477-000	ELB-15/28-600-J2-AL	ALUMINIUM	178.11 [7in]	2	1
ED0478-000	ELB-15/28-600-J3-AL	ALUMINIUM	279.81 [11in]	3	2
ED0479-000	ELB-15/28-600-J4-AL	ALUMINIUM	381.51 [15in]	4	3
ED0480-000	ELB-15/28-900-J2-CU	COPPER	178.11 [7in]	2	1
ED0481-000	ELB-15/28-900-J3-CU	COPPER	279.81 [11in]	3	2
ED0482-000	ELB-15/28-900-J4-CU	COPPER	381.51 [15in]	4	3

THIS DRAWING IS A CONTROLLED DOCUMENT.		DWN M. SARVESH 30DEC2022	TE Connectivity	
DIMENSIONS: mm / inch		CHK C. JASON N 31DEC2022		
TOLERANCES UNLESS OTHERWISE SPECIFIED:		APVD W. DAVID E 31DEC2022	NAME ELB-15/28-600-J4-AL ELB-15/28-900-J4-CU 2, 3 AND 4 WAY JUNCTION ADAPTER	
0 PLC ± 1 PLC ±0.1 2 PLC ±0.01 3 PLC ±0.005 4 PLC ±0 ANGLES ±1/2 FINISH -		PRODUCT SPEC -	SIZE A2	CAGE CODE 00779
MATERIAL EPOXY (BLACK)		APPLICATION SPEC -	DRAWING NO E00002082-C	RESTRICTED TO -
-		WEIGHT -	SCALE 5:1	SHEET 1 OF 1
-		CUSTOMER DRAWING	REV A	