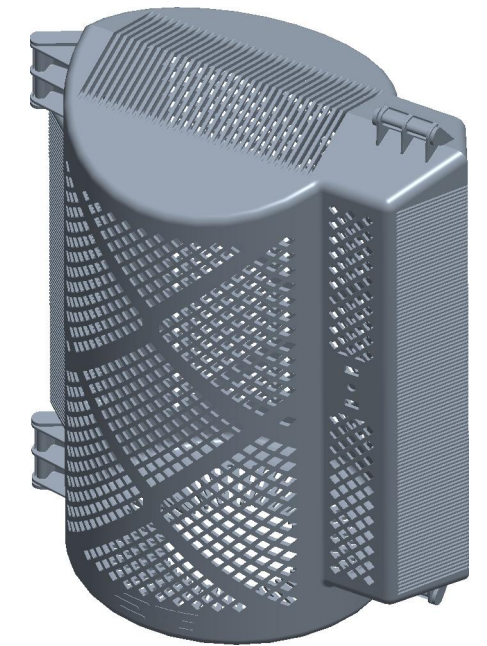
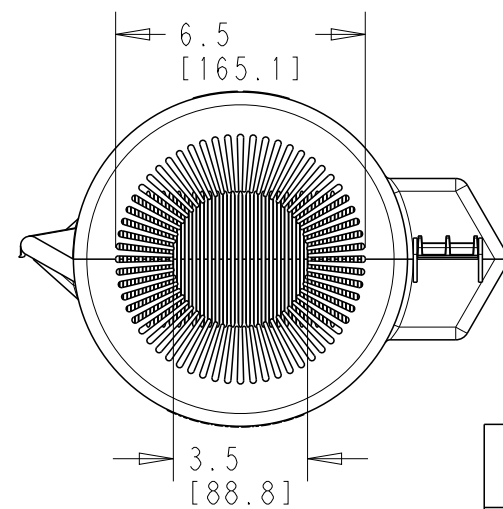
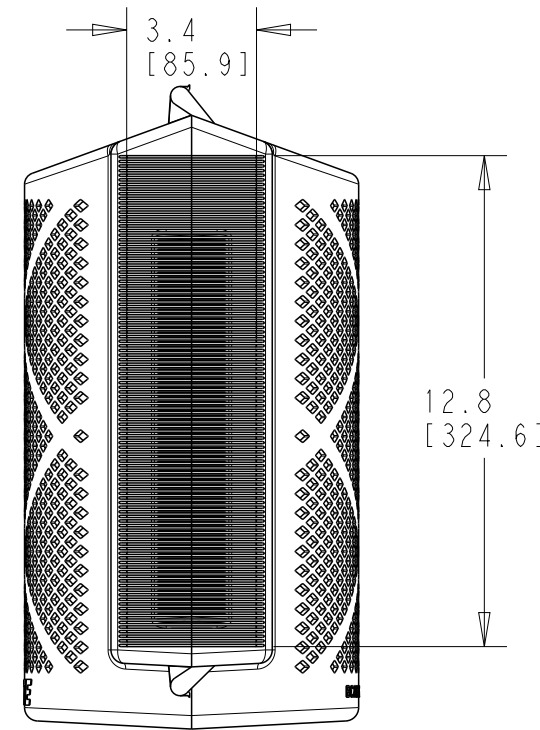
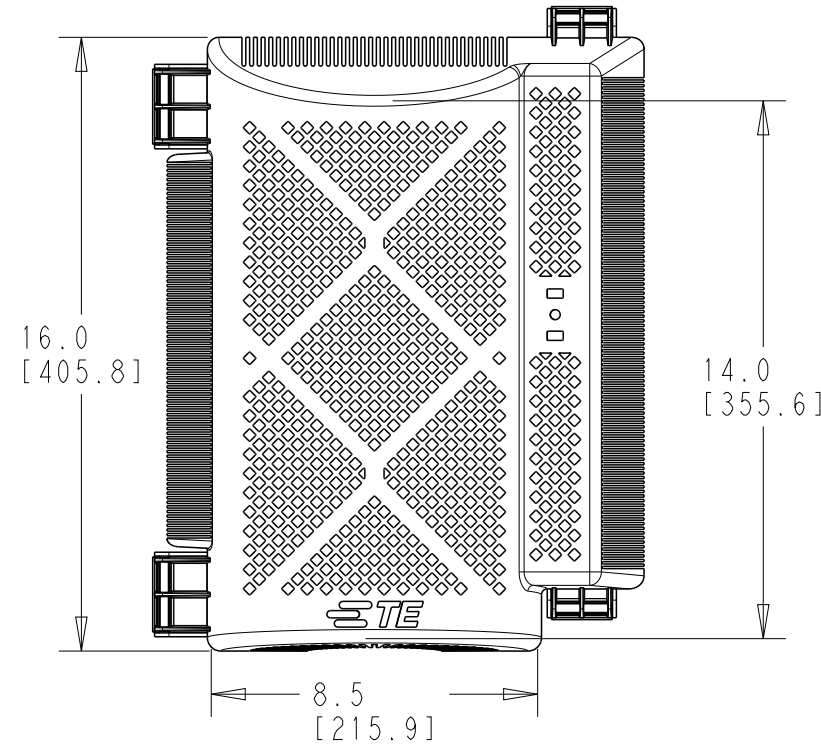
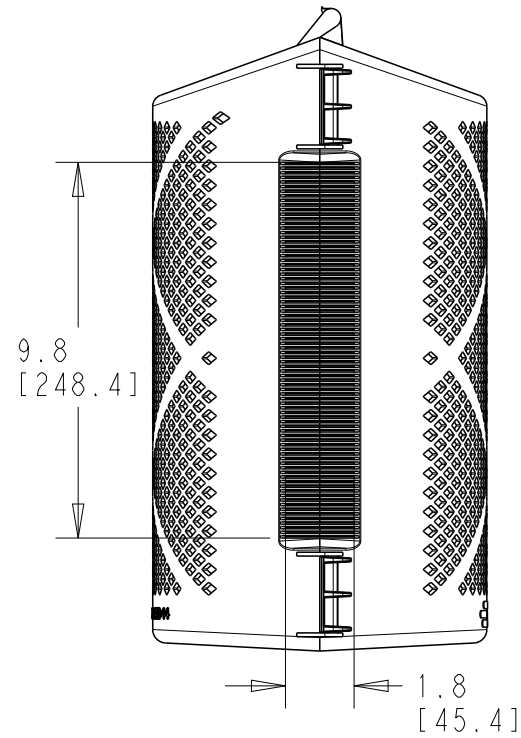
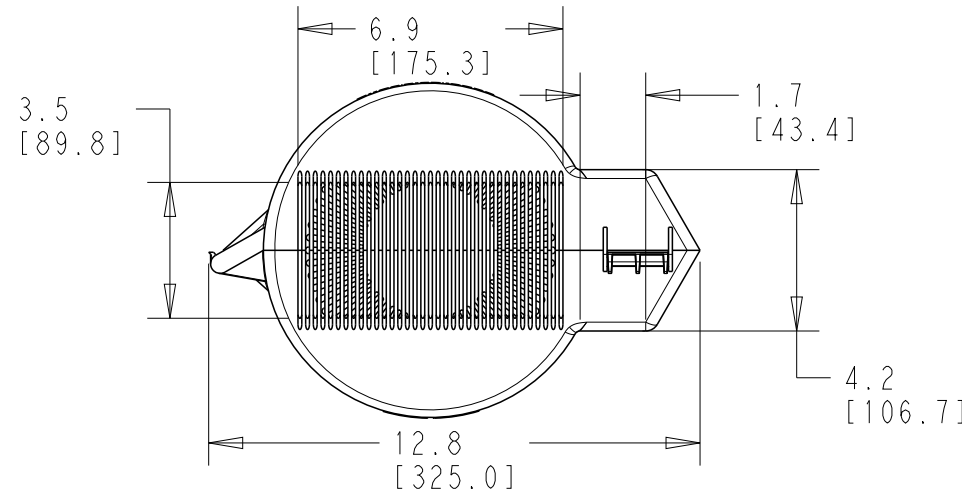


P	LTR	DESCRIPTION	DATE	DWN	APVD
	A	INITIAL RELEASE	06OCT2022	SL	LH


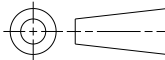
TCPN	DESCRIPTION
ES1116-000	BCAC-IC2-8.5D/14(B3)
ES1119-000	BCAC-G-IC2-8.5D/14(B3)
ES1264-000	BCAC-P-1C2-8.5D/14(B3)



NOTES:

1. PARTS ARE KITTED 3 ASSEMBLIES PER BOX. EACH ASSEMBLY CONSISTS OF 2 HALVES SNAPPED TOGETHER. PII-BCAC-IC2-COVERS ALSO INCLUDED.

2. EACH BOX SHALL BE LABELLED WITH PART DESCRIPTION, LOT NUMBER, QUANTITY, PART NUMBER, AND MANUFACTURING DATE.

THIS DRAWING IS A CONTROLLED DOCUMENT.		DWN	06OCT2022	 TE Connectivity	
		SL			
		CHK	LH		
		APVD	LH		
		06OCT2022		NAME	
				BCAC-IC2-8.5D/14	
				BCAC-G-IC2-8.5D/14	
				BCAC-P-IC2-8.5D/14	
DIMENSIONS: in [mm]		TOLERANCES UNLESS OTHERWISE SPECIFIED:		PRODUCT SPEC	
		0 PLC	±	APPLICATION SPEC	
		1 PLC	±0.1		
		2 PLC	±0.02		
		3 PLC	±0.005		
MATERIAL		4 PLC	±0.0005	WEIGHT	-
		ANGLES	±	CUSTOMER DRAWING	
		FINISH	-	SCALE	1:5
			-	SIZE	A3
				CAGE CODE	00779
				DRAWING NO	©-E00002119
				RESTRICTED TO	-
				SHEET	1 OF 1
				REV	A