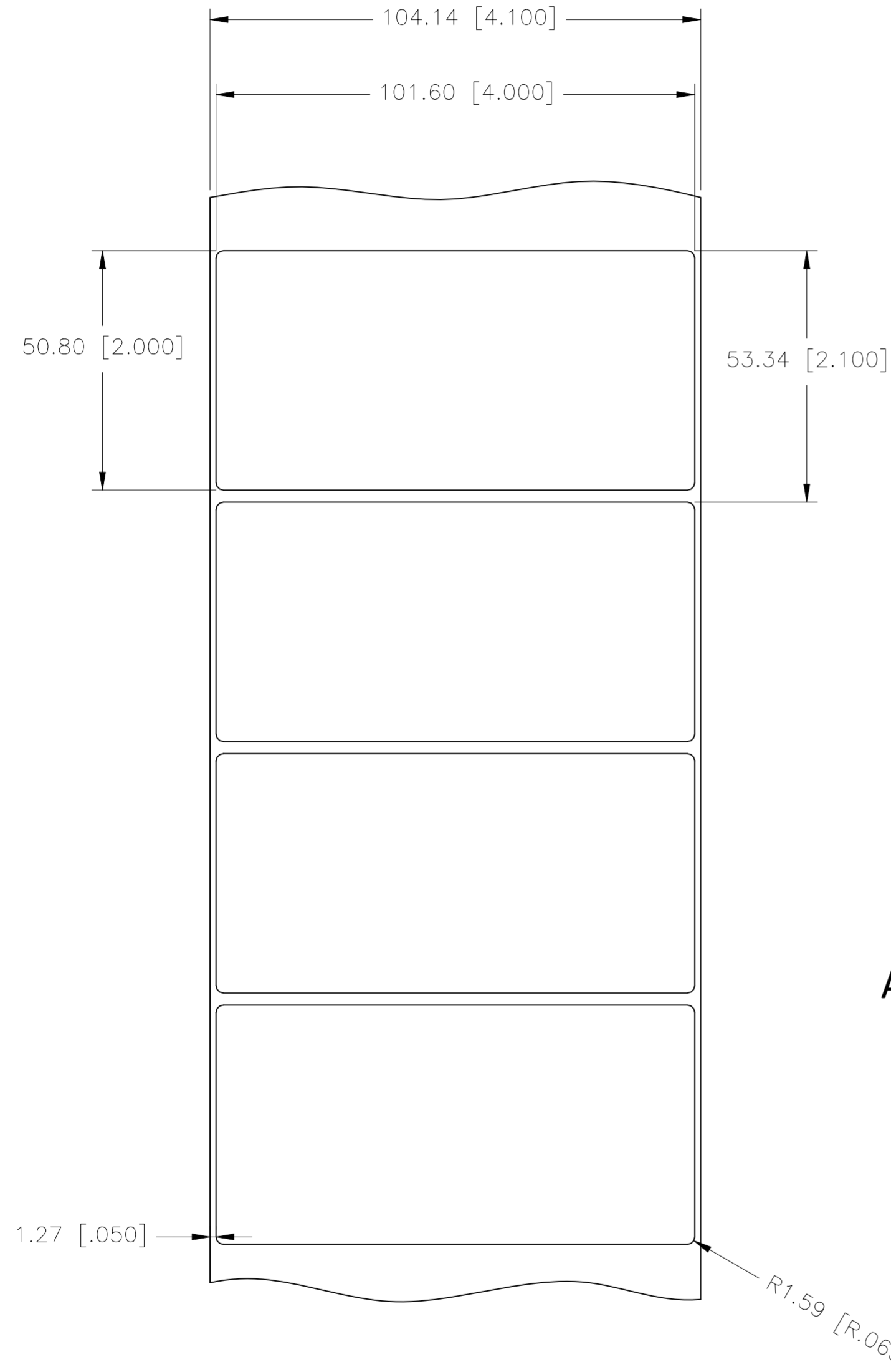
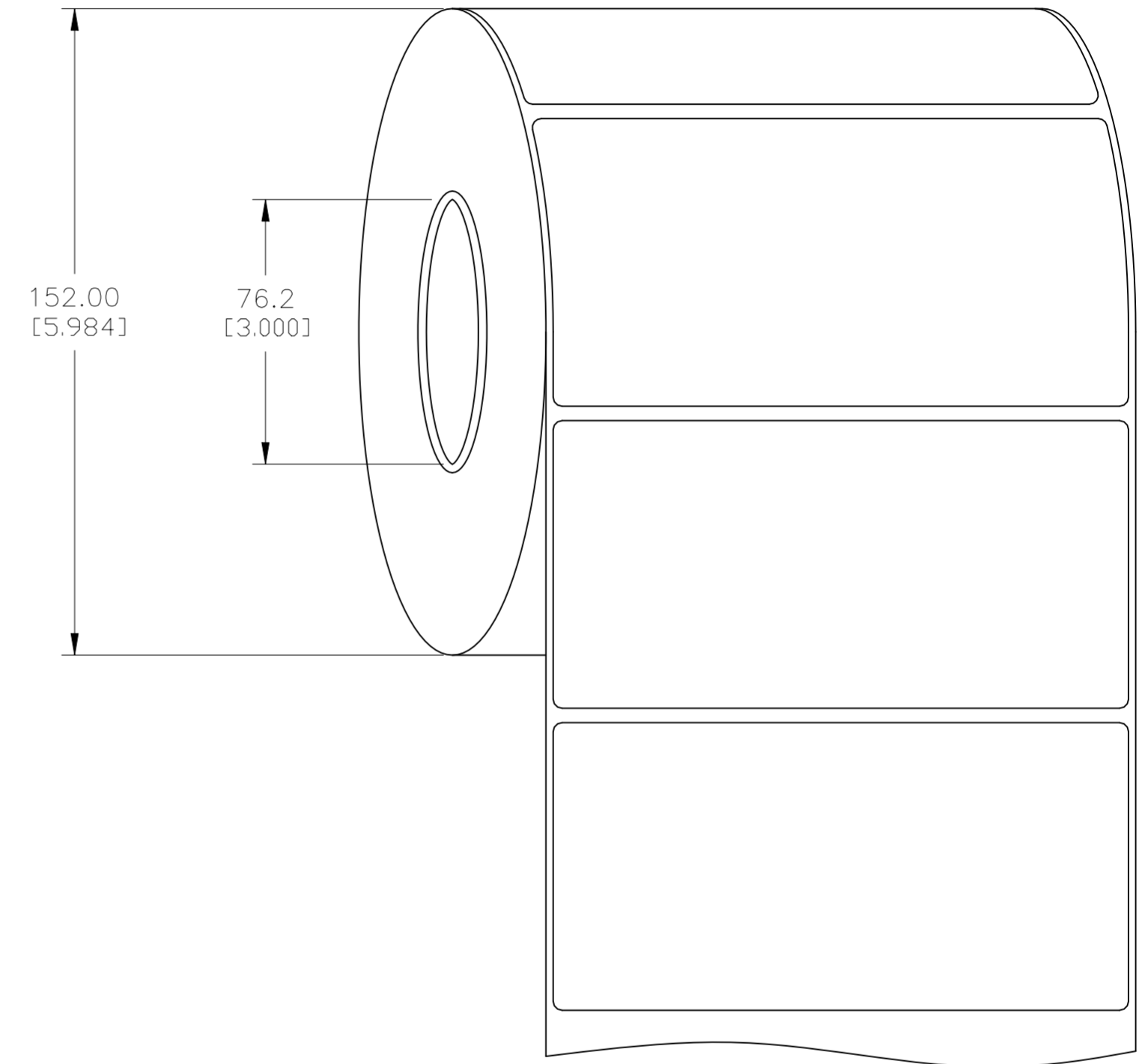


REVISIONS					
P	LTR	DESCRIPTION	DATE	DWN	APVD
D		TEMPLATE UPDATE	28AUG2024	SL	YB

LABEL AND LINER DESIGN



PRESENTATION



LABELS PER ROLL: 2 500
 LABELS ACROSS: 1

OUTSIDE WOUND

TE PN: E21596-000

All dimensions in mm [INCHES]

MATERIAL	THERMAL TRANSFER PRINTABLE PAPER
ADHESIVE TYPE	PERMANENT ACRYLIC
LINER	BROWN GLASSINE PAPER

TOLERANCES mm [INCH]		THIS DRAWING IS A CONTROLLED DOCUMENT.		DWN	28AUG2024	TE Connectivity EP-101508-2.5-9			
LABEL HEIGHT:	±0.3 [.012]	DIMENSIONS:	TOLERANCES UNLESS OTHERWISE SPECIFIED:	CHK	28AUG2024				
LABEL WIDTH:	±0.3 [.012]	mm [INCHES]		APVD	28AUG2024				
WEB WIDTH:	±0.8 [.031]*		0 PLC ± -	PRODUCT SPEC					
VERTICAL REPEAT:	±0.8 [.031]*		1 PLC ± -	APPLICATION SPEC		SIZE	CAGE CODE	DRAWING NO	RESTRICTED TO
HORIZONTAL REPEAT:	±0.8 [.031]*		2 PLC ± -			A2	A00YM	C-E21596-000	-
PRINT POSITIONING:	±0.8 [.031]*		3 PLC ± -						
LEFT MARGIN:	±0.4 [.016]		4 PLC ± -						
QUANTITY:	-0 % +2 %	MATERIAL	ANGLES ± -	WEIGHT	-				
*NON ACCUMULATING				CUSTOMER DRAWING		SCALE	1:1	SHEET	1 of 1
									REV
									D