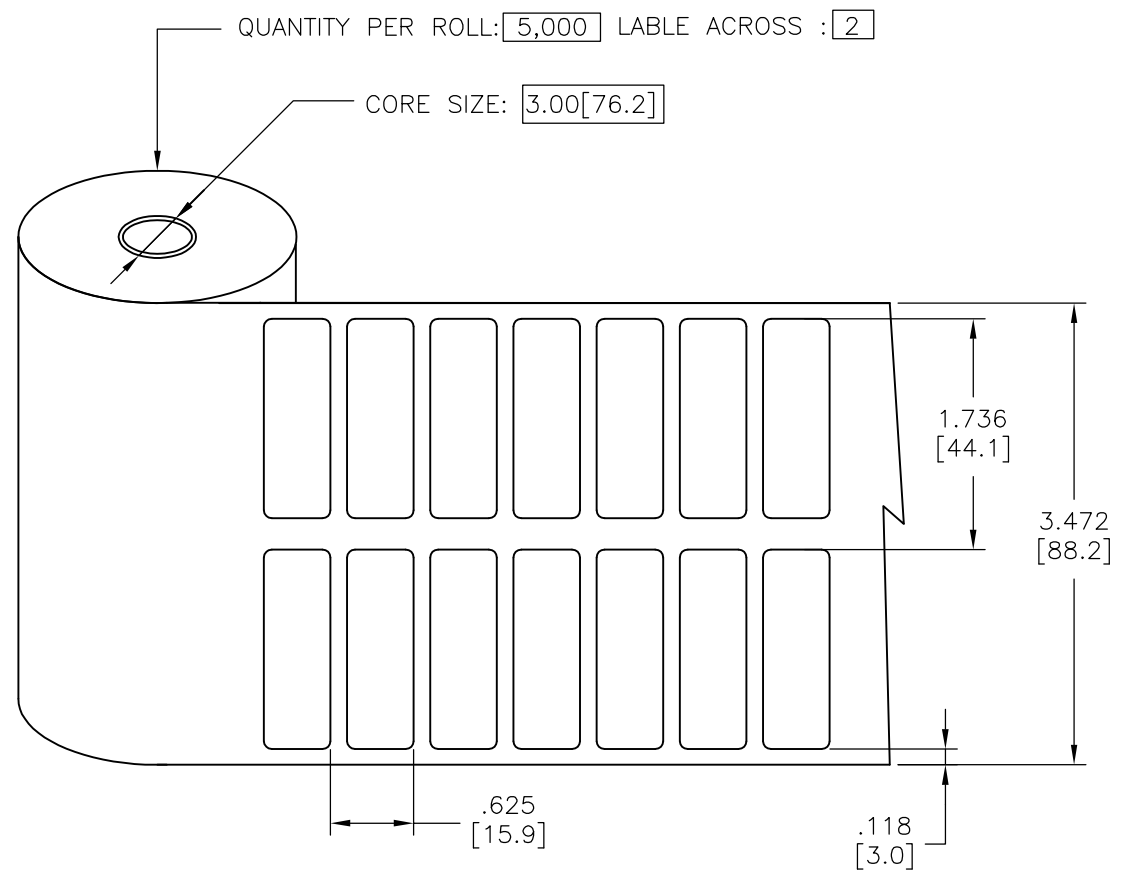
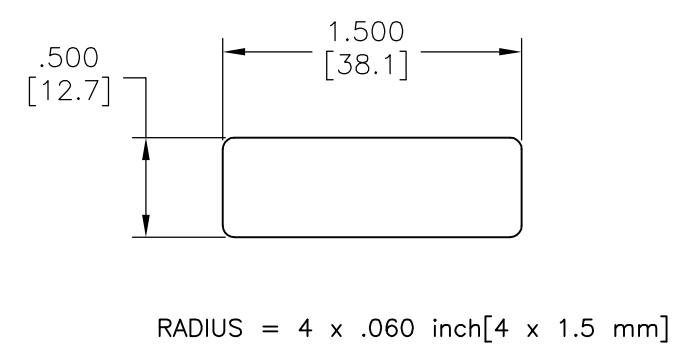


REVISIONS					
P	LTR	DESCRIPTION	DATE	DWN	APVD
	A1	NEW DRAWING	09DEC2016	GK	KM

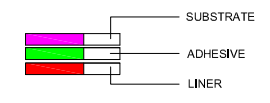
PRESENTATION



PRINTING/DIMENSION



LABEL BUILD DETAIL



All dimensions in Inches [mm]

MATERIAL	THERMAL TRANSFER PRINTABLE PAPER
ADHESIVE TYPE	ACRYLIC PERMANENT
NOM THICKNESS	0.07 MM [.003 INCH]
BACKGROUND COLOURS	WHITE
WOUND	OUTSIDE WOUND

TOLERANCES INCH[mm] LABEL HEIGHT: ±.018 [0.3] LABEL WIDTH: ±.018 [0.3] WEB WIDTH: ±.039 [1.0] VERTICAL REPEAT: ±.039 [1.0] HORIZONTAL REPEAT: ±.039 [1.0] PRINT POSITIONING: ±.039 [1.0] *NON ACCUMULATING	THIS DRAWING IS A CONTROLLED DOCUMENT. DIMENSIONS: INCHES[mm]	TOLERANCES UNLESS OTHERWISE SPECIFIED: 0 PLC ± - 1 PLC ± - 2 PLC ± - 3 PLC ± - 4 PLC ± - ANGLES ± -	DWN: 09DEC2016 GOPALAKRISHNA HV CHK: 09DEC2016 K. MUNZ APVD: 09DEC2016 K. MUNZ PRODUCT SPEC APPLICATION SPEC WEIGHT CUSTOMER DRAWING	EP Economy Paper Label SIZE: A2 CAGE CODE: 00779 DRAWING NO: EP-381127-5-9 SCALE: NTS SHEET: 1 OF 1 REV: A1
	MATERIAL: - FINISH: -	DWN: 09DEC2016 GOPALAKRISHNA HV CHK: 09DEC2016 K. MUNZ APVD: 09DEC2016 K. MUNZ PRODUCT SPEC APPLICATION SPEC WEIGHT CUSTOMER DRAWING	TE Connectivity EP ECONOMY PAPER LABEL	RESTRICTED TO: -