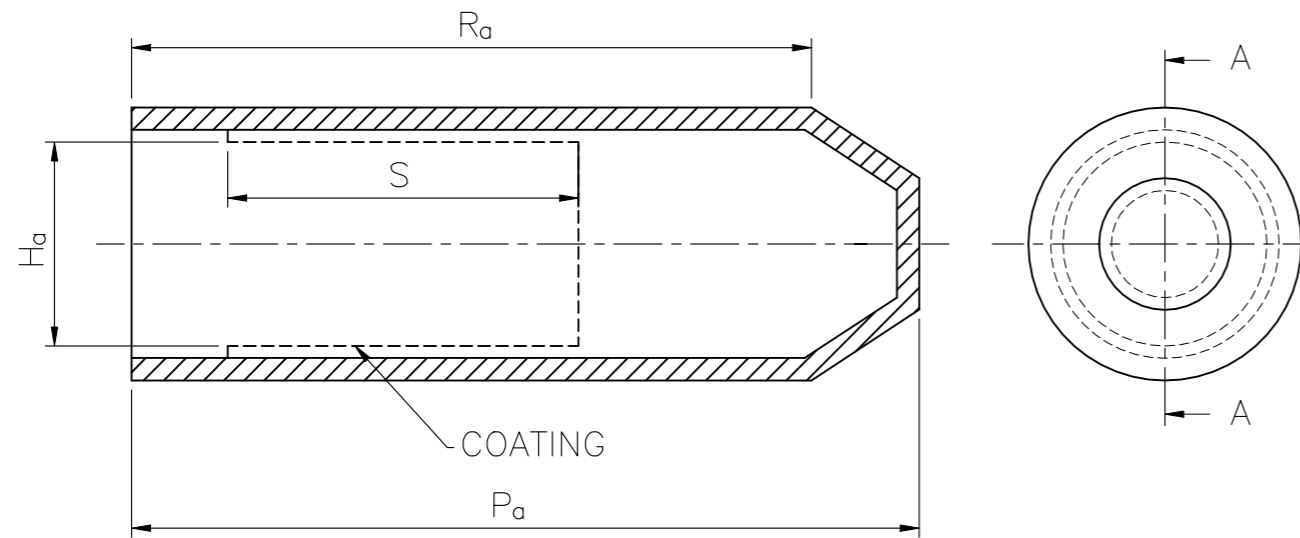


P	LTR	DESCRIPTION	DATE	DWN	APVD
	3	NOTE UPDATE	06JUL2021	GSK	AMO

SECTION A-A



NOTES:

- HEATSHRINK MATERIAL: SEMI-RIGID THERMOPLASTIC MATERIAL, ELECTRICALLY INSULATING, WEATHER, CORROSION AND IMPACT RESISTANT. STABILIZED AGAINST UV IRRADIATION. COLOUR=BLACK
- ADHESIVE/SEALANT: /S (TYPE /250) HOT MELT ADHESIVE PROVIDES WATER TIGHT AND ENVIRONMENTAL SEAL.
- APPLICATION: MV & LV CABLE AND SEALS
LV CABLE LIVE END SEALS,
- DIMENSIONS IN mm. a = AS SUPPLIED, b = AFTER FREE RECOVERY
- COATING LOCATION AND DIMENSIONS AS DEFINED IN THE DRAWING

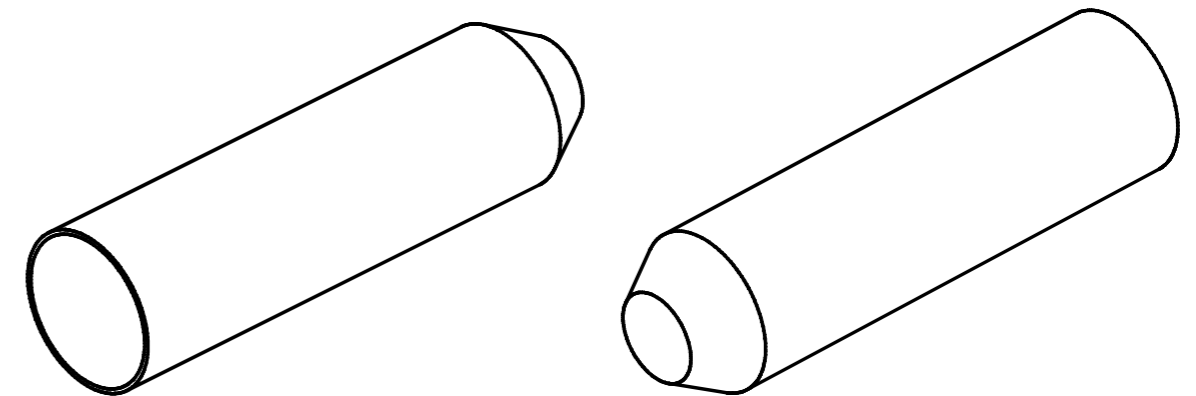
6. PRINTING:

- R05 Raychem - DESCRIPTION - SIZE - LOT NUMBER
- R07 (SHORT END CAP): LOT NUMBER
- R08 (SHORT END CAP): LOT NUMBER
- R09 (SHORT END CAP): LOT NUMBER
- R15 (LONG END CAP): Raychem - DESCRIPTION - SIZE - LOT NUMBER
- R16 (LONG END CAP WITH FLASH SYMBOLS) Raychem - DESCRIPTION - SIZE - LOT NUMBER

DIMENSIONS IN EXPANDED CONDITION

DESCRIPITON	Ha MIN	Pa MIN	Ra MIN	S MIN
102L011 (R07)	12	23	16	FULL
102L011 (R05)*	12	46	39	FULL
102L011 (R15,R16)	12	59	53	FULL
102L022 (R08)	21.5	54	44	20
102L022 (R05)*	21.5	66	56	30
102L033 (R09)	40	74	58	20
102L033 (R05)*	40	114	98	40
102L033 (R15,R16)	40	181	165	80
102L044 (R05)*	55	158	138	70
102L044 (R15,R16)	55	198	178	90
102L048 (R05)*	75	195	160	70
102L048 (R15,R16)	75	228	197	100
102L055 (R05)*	100	199	154	70
102L055 (R15,R16)	100	260	214	100
102L066 (R05)*	120	208	155	80
102L077 (R05)*	170	298	245	130
102L088 (R05)*	230	298	245	130

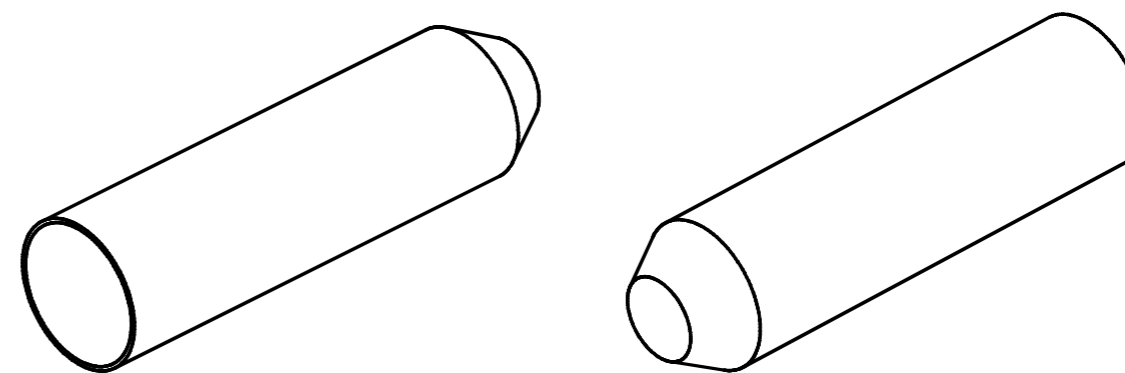
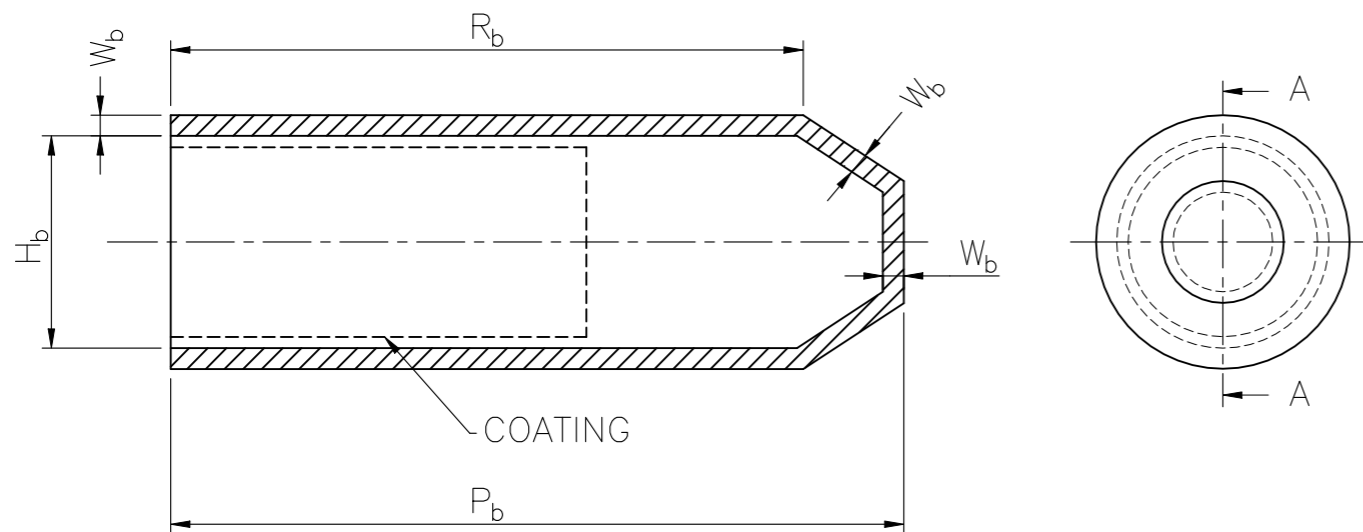
* STANDARD SIZE



THIS DRAWING IS A CONTROLLED DOCUMENT.		DWN RAVI.S 16DEC2019	STE TE Connectivity		
DIMENSIONS: mm		CHK ANGEL.M 16DEC2019			
TOLERANCES UNLESS OTHERWISE SPECIFIED:		APVD ANGEL.M 16DEC2019	NAME END CAP (EXPANDED)		
0 PLC ± -		PRODUCT SPEC	SIZE		
1 PLC ± -		APPLICATION SPEC	CAGE CODE		
2 PLC ± -		—	DRAWING NO		
3 PLC ± -		—	RESTRICTED TO		
4 PLC ± -		—	A3 00779 C-EPD-202-311920-01		
ANGLES ± -		—	SCALE NTS		
FINISH		—	SHEET 1 OF 2		
MATERIAL		—	REV 3		
—		—	CUSTOMER DRAWING		

P	LTR	DESCRIPTION	DATE	DWN	APVD
-	-	SEE SHEET 1	-	-	-

SECTION A-A



DIMENSIONS IN RECOVERED CONDITION

DESCRIPITON	Hb MAX	Pb MIN	Rb MIN	Wb MIN
102L011 (R07)	04	23	20	2.30
102L011 (R05)*	04	44	39	2.30
102L011 (R15,R16)	04	59	54	2.30
102L022 (R08)	07	45	40	3.20
102L022 (R05)*	07	60	55	3.20
102L033 (R09)	15	61	50	3.00
102L033 (R05)*	15	100	90	3.00
102L033 (R15,R16)	15	180	170	3.00
102L044 (R05)*	25	140	127	3.40
102L044 (R15,R16)	25	180	170	3.40
102L048 (R05)*	32	165	150	3.40
102L048 (R15,R16)	32	200	180	3.20
102L055 (R05)*	45	145	125	3.60
102L055 (R15,R16)	45	220	200	4.00
102L066 (R05)*	60	160	138	4.00
102L077 (R05)*	80	250	220	4.00
102L088 (R05)*	120	250	220	4.00

* STANDARD SIZE

THIS DRAWING IS A CONTROLLED DOCUMENT.		DWN RAVI.S 16DEC2019	TE Connectivity				
DIMENSIONS: mm		CHK ANGEL.M 16DEC2019					
TOLERANCES UNLESS OTHERWISE SPECIFIED:		APVD ANGEL.M 16DEC2019	NAME END CAP (RECOVERED)				
0 PLC ± - 1 PLC ± - 2 PLC ± - 3 PLC ± - 4 PLC ± - ANGLES ± -		PRODUCT SPEC -	APPLICATION SPEC -				
MATERIAL -		FINISH -	WEIGHT -	SIZE A3	CAGE CODE 00779	DRAWING NO G-EPD-202-311920-01	RESTRICTED TO -
CUSTOMER DRAWING			SCALE NTS	SHEET 2 OF 2	REV 3		